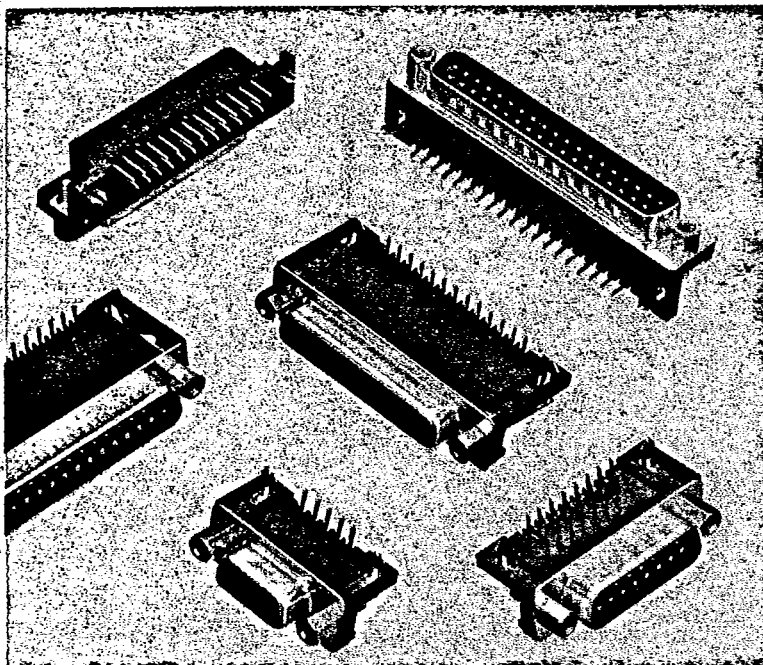
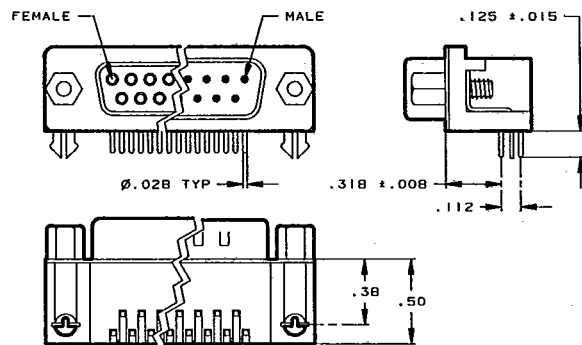


D Subminiature

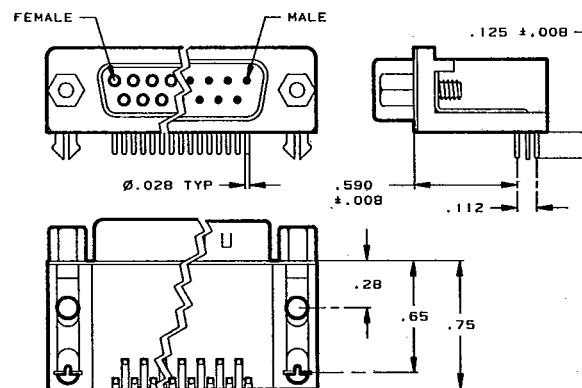


Right Angle-.318 Body

A-61-11



Right Angle-.590 Body



Benefits/Features

- Sizes available - 9, 15, 25, and 37
- Terminates with standard D type connectors
- Right angle metal shell construction
- 4-40 Threaded stand-off
- Ground strap with self-retaining fork

Specifications

- Electrical rating: 5 AMP
- Temperature range: -55 °C to +105 °C
- Insulation material: Glass filled polyester, black UL94V-0
- Shell material: Steel, tin plated
- Contact material: Female/phosphor bronze, Male/brass
- Contact plating: Gold flash

Circuit Assembly Part Numbers

.318 Body

No. of Pos.	Male	Female
09	CA-09DPR-11	CA-09DSR-11
15	CA-15DPR-11	CA-15DSR-11
25	CA-25DPR-11	CA-25DSR-11
37	CA-37DPR-11	CA-37DSR-11

.590 Body

No. of Pos.	Male	Female
09	CA-09DPRL-11	CA-09DSRL-11
15	CA-15DPRL-11	CA-15DSRL-11
25	CA-25DPRL-11	CA-25DSRL-11
37	CA-37DPRL-11	CA-37DSRL-11

Note: For ground strap with clearance hole, replace "-11" with "-12"