

**NUMERICAL INDEX  
TO INDUSTRIAL  
GRADE POWER  
TRANSISTORS  
(Continued)**

88 DE 8254022 0000798 7

T-33-11

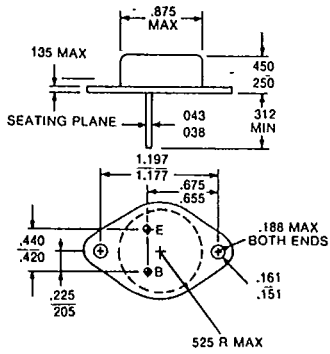
Type	Polarity	I <sub>c</sub> Max Amps	V <sub>CE0</sub> (SUS) Volts	Package
2N6465	NPN	4.0	110	TO-66
2N6466	NPN	4.0	130	TO-66
2N6468	PNP	4.0	130	TO-66
2N6469	PNP	15.0	50	TO-3
2N6470	NPN	15.0	50	TO-3
2N6471	NPN	15.0	70	TO-3
2N6472	NPN	15.0	90	TO-3
2N6495	NPN	10.0	80	TO-66
2N6496	NPN	15.0	130	TO-3
2N6500	NPN	4.0	110	TO-66
2N6510	NPN	7.0	200	TO-3
2N6511	NPN	7.0	250	TO-3
2N6512	NPN	7.0	300	TO-3
2N6513	NPN	7.0	350	TO-3
2N6514	NPN	7.0	300	TO-3
2N6534	NPN	8.0	80	TO-66
2N6535	NPN	8.0	100	TO-66
2N6536	NPN	8.0	100	TO-66
2N6537	NPN	8.0	120	TO-66
2N6569	NPN	12.0	40	TO-3
2N6570	NPN	40.0	90	TO-3
2N6571	NPN	40.0	105	TO-3
40313	NPN	2.0	300	TO-66
40318	NPN	2.0	300	TO-66
40321	NPN	1.0	300	TO-39/TO-5
40322	NPN	2.0	300	TO-66
40327	NPN	1.0	300	TO-39/TO-5
40328	NPN	2.0	300	TO-66
40346	NPN	1.0	175	TO-39/TO-5
40347	NPN	1.5	40	TO-39/TO-5
40348	NPN	1.5	65	TO-39/TO-5
40349	NPN	1.5	140	TO-39/TO-5
40364	NPN	7.0	60(V <sub>CE0</sub> )	TO-66
40411	NPN	30.0	90(V <sub>CE0</sub> )	TO-3
40412	NPN	1.0	250(V <sub>CE0</sub> )	TO-39/TO-5
40850	NPN	2.0	400(V <sub>CE0</sub> )	TO-66
40851	NPN	7.0	350	TO-66
40852	NPN	7.0	375(V <sub>CE0</sub> )	TO-3
40853	NPN	10.0	375(V <sub>CE0</sub> )	TO-3
40854	NPN	15.0	325(V <sub>CE0</sub> )	TO-3
MJ400	NPN	0.25	325	TO-66
MJ420	NPN	0.1	250	TO-39/TO-5
MJ421	NPN	0.1	325	TO-39/TO-5
MJ450	PNP	30.0	40	TO-3
MJ480	NPN	4.0	40	TO-3
MJ481	NPN	4.0	60	TO-3
MJ490	PNP	4.0	40	TO-3
MJ491	PNP	4.0	60	TO-3
MJ802	NPN	30.0	100(V <sub>CE0</sub> )	TO-3
MJ900	PNP	8.0	60	TO-3
MJ901	PNP	8.0	80	TO-3
MJ1000	NPN	8.0	60	TO-3
MJ1001	NPN	8.0	80	TO-3
MJ1800	NPN	5.0	500(V <sub>CE0</sub> )	TO-3
MJ2249	NPN	2.0	60	TO-66

Type	Polarity	I <sub>c</sub> Max Amps	V <sub>CE0</sub> (SUS) Volts	Package
MJ2250	NPN	2.0	80	TO-66
MJ2251	NPN	0.5	225	TO-66
MJ2252	NPN	0.5	300	TO-66
MJ2267	PNP	5.0	40	TO-3
MJ2268	PNP	5.0	55	TO-3
MJ2500	PNP	10.0	60	TO-3
MJ2501	PNP	10.0	80	TO-3
MJ2840	NPN	10.0	60	TO-3
MJ2841	NPN	10.0	80	TO-3
MJ2940	PNP	10.0	60	TO-3
MJ2941	PNP	10.0	80	TO-3
MJ3000	NPN	10.0	60	TO-3
MJ3001	NPN	10.0	80	TO-3
MJ3029	NPN	5.0	500(V <sub>CE0</sub> )	TO-3
MJ3030	NPN	5.0	325	TO-3
MJ3101	NPN	2.0	40	TO-66
MJ3201	NPN	0.1	225	TO-66
MJ3202	NPN	0.1	300	TO-66
MJ3771	NPN	30.0	40	TO-3
MJ3772	NPN	20.0	60	TO-3
MJ4000	NPN	4.0	60	TO-3
MJ4001	NPN	4.0	80	TO-3
MJ4010	PNP	4.0	60	TO-3
MJ4011	PNP	4.0	80	TO-3
MJ4030	PNP	16.0	60	TO-3
MJ4031	PNP	16.0	80	TO-3
MJ4032	PNP	16.0	100	TO-3
MJ4033	NPN	16.0	60	TO-3
MJ4034	NPN	16.0	80	TO-3
MJ4035	NPN	16.0	100	TO-3
MJ4502	PNP	30.0	100(V <sub>CE0</sub> )	TO-3
MJ9000	NPN	10.0	325	TO-3
SDN101	NPN	5.0	80	TO-33
SDN105	NPN	5.0	150	TO-33
SDN201	NPN	5.0	80	TO-66
SDN205	NPN	5.0	150	TO-66
SDN301	NPN	2.0	60	TO-33
SDN305	NPN	2.0	150	TO-33
SDN401	NPN	2.0	60	TO-66
SDN405	NPN	2.0	150	TO-66
SDN501	NPN	10.0	80	TO-66
SDN505	NPN	10.0	150	TO-66
SDN601	NPN	10.0	80	TO-3
SDN605	NPN	10.0	150	TO-3
SDN722	NPN	2.0	200	TO-66
SDN723	NPN	2.0	300	TO-66
SDN822	NPN	5.0	200	TO-66
SDN823	NPN	5.0	300	TO-66
SDN832	NPN	5.0	200	TO-3
SDN833	NPN	5.0	300	TO-3
SDN1010	NPN	10.0	120	TO-3
SDN1020	NPN	10.0	120	TO-3
SDN6251	NPN	10.0	400	TO-3
SDN6252	NPN	10.0	450	TO-3
SDN6253	NPN	10.0	500	TO-3

For additional JEDEC 2NXXXX, see numerical index on page 9.

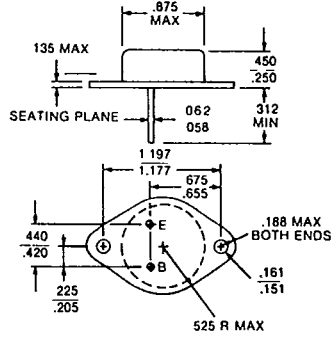
**PACKAGE DESCRIPTIONS AND OUTLINE DRAWINGS**

**TO-3 PACKAGE**



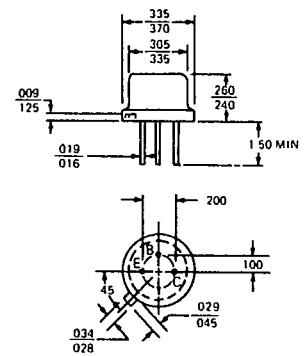
Collector is connected to case.

**MODIFIED TO-3 PACKAGE  
(60 mil pins)**



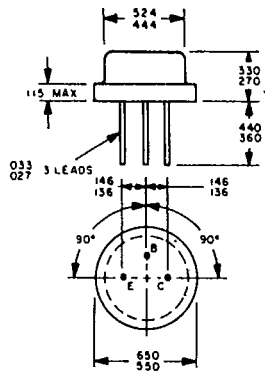
Collector is connected to case.

**TO-5 PACKAGE**



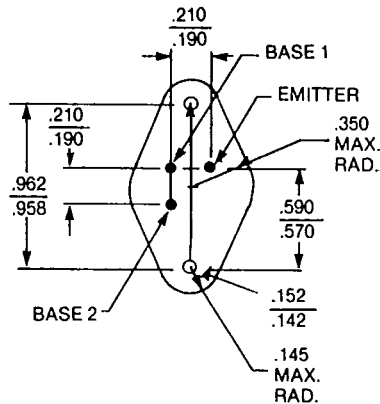
Collector is connected to case.

**TO-8 PACKAGE**



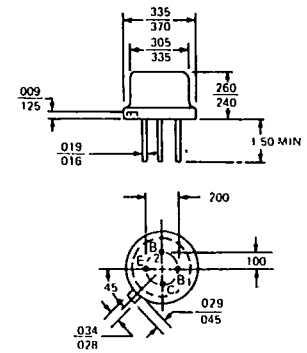
Collector is connected to case.

**F-24 PACKAGE  
(3-LEADED TO-66)**



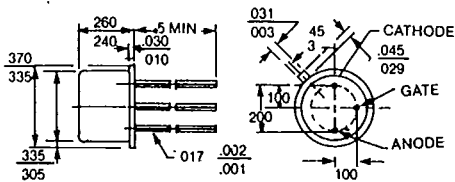
Collector is connected to case.

**TO-33 PACKAGE**



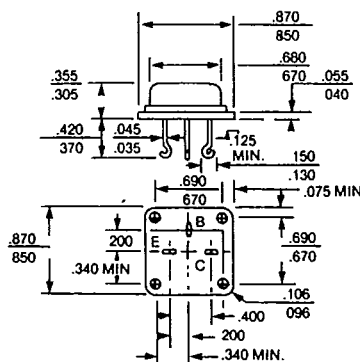
Collector is connected to case.

**TO-39 PACKAGE**



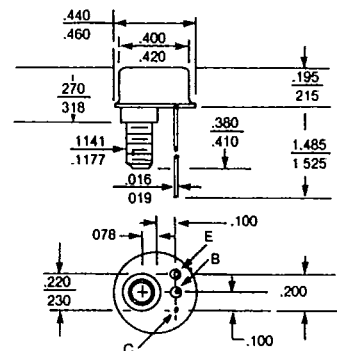
Collector is connected to case.

**TO-53 PACKAGE**



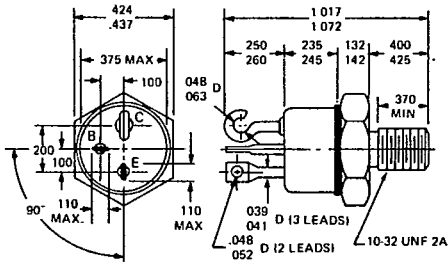
Collector is connected to case.

**TO-57 PACKAGE**



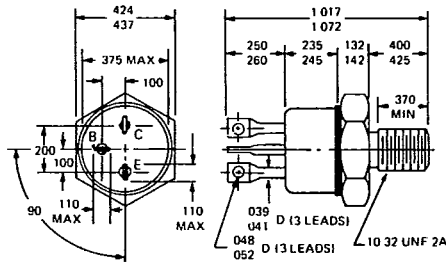
Collector is connected to case.

**TO-59 PACKAGE**



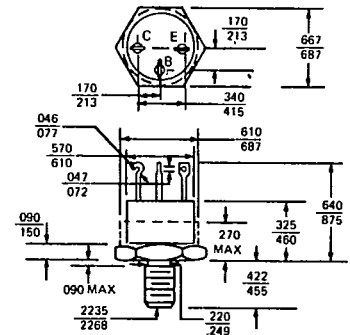
Collector is connected to case.

**TO-59 PACKAGE  
ISOLATED COLLECTOR**



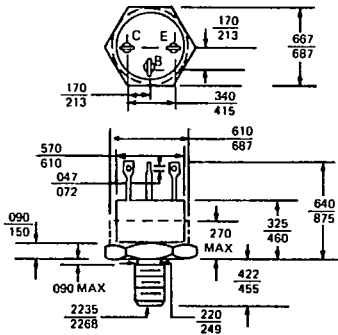
Collector is electrically isolated from case.

**TO-61 PACKAGE**



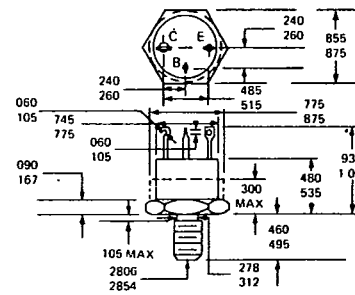
Collector is connected to case.

**TO-61 PACKAGE  
ISOLATED COLLECTOR**



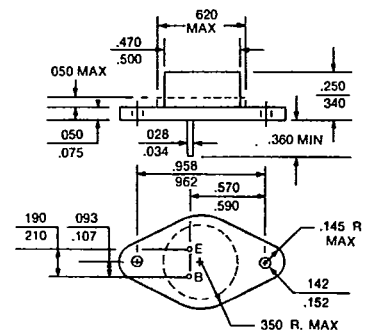
Collector is electrically isolated from case.

**TO-63 PACKAGE**



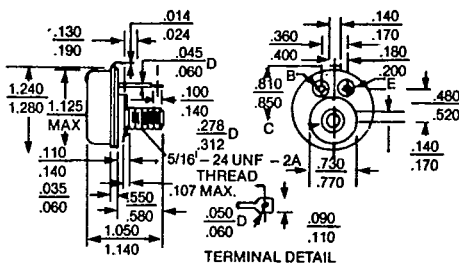
Collector is connected to case.

**TO-66 PACKAGE**



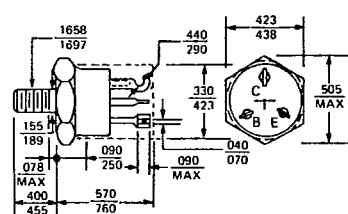
Collector is connected to case.

**TO-82 PACKAGE**



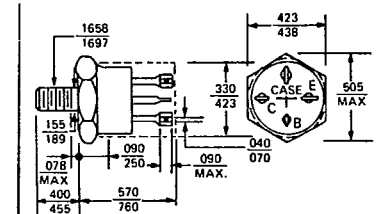
Collector is connected to case.

**TO-111 PACKAGE**



Collector is connected to case.

**TO-111 PACKAGE  
ISOLATED COLLECTOR**



Collector is electrically isolated from case.