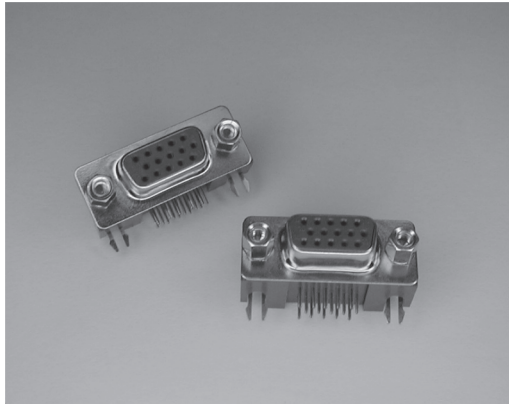


414/D-Sub HD 5.08mm Type

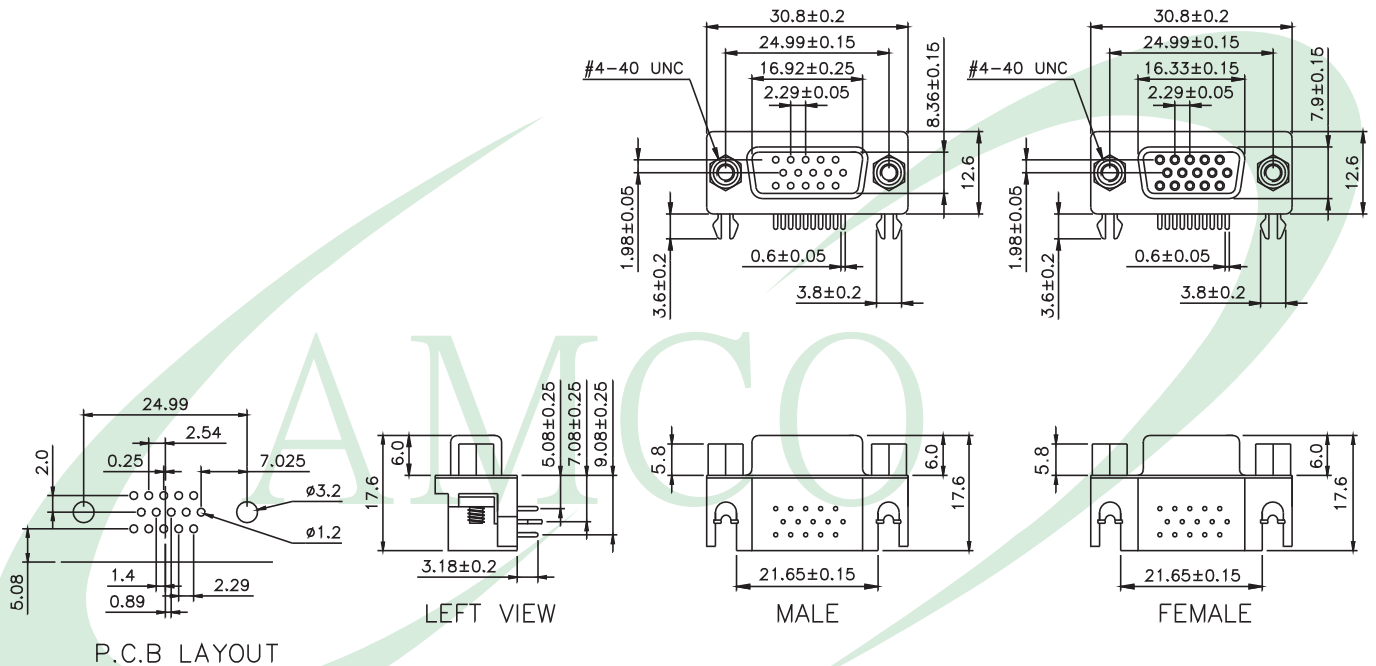


MATERIAL:

1. INSULATOR : PBT + 30% GLASS FIBER UL 94V-0. COLOR-BLUE.
2. CONTACT : BRASS.
3. CONTACT PLATED : GOLD-FLASH OVER NICKEL. DIP AREA PLATED : TIN.
4. SHELL : STEEL WITH NICKEL PLATED.

SPECIFICATION:

1. DIELECTRIC STRENGTH: 1000V FOR ONE MINUTE.
2. INSULATION RESISTANCE : 1000 MEGOHMS MIN. AT 500V DC.
3. CONTACT RESISTANCE : 20 MILLIOHMS MAX.
4. TEMPERATURE : $-55^{\circ}\text{C} \sim +105^{\circ}\text{C}$.
5. RATED CURRENT : 5 AMP.



414. D-SUB

Series No.

1	2	3	4
4	1	4	

HIGH DENSITY R/A TYPE
5.08mm FOOT PRINT

No. of Contacts

5	6	7	8	9	10	11	12	13
1	5	M	C	N	S	1	U	A

Contact Type

Mounting Type

Shell Plated

Contact Plated

Plastic Color

Branding

M: MALE

F: FEMALE

A: Rivet

C: Rivet With

D: Rivet Add

Jack Screw

Shell Plated

Contact Plated

Plastic Color

Branding

N: NICKEL

T: TIN

Z: ZINC

Screw

Jack Screw

Jack Screw

Jack Screw

Jack Screw

Shell Plated

Contact Plated

Plastic Color

Branding

T1: TIN

G1: Gold Flash

S1: Gold Flash

G2: 3u" Gold

S2: 3u" Gold

G3: 5u" Gold

S3: 5u" Gold

G4: 10u" Gold

S4: 10u" Gold

G5: 15u" Gold

S5: 15u" Gold

G6: 30u" Gold

S6: 30u" Gold

(G: Full Gold)(S: Selective Gold)

Shell Plated

Contact Plated

Plastic Color

Branding

U: Blue

N: No Mark

B: Black

A: Amco Mark

A: Amco Mark

N: No Mark

N: No Mark

N: No Mark

N: No Mark

N: No Mark

N: No Mark

N: No Mark

N: No Mark

N: No Mark