

UTC UR133/A LINEAR INTEGRATED CIRCUIT

300/500mA LOW DROPOUT LINEAR VOLTAGE REGULATOR

DESCRIPTION

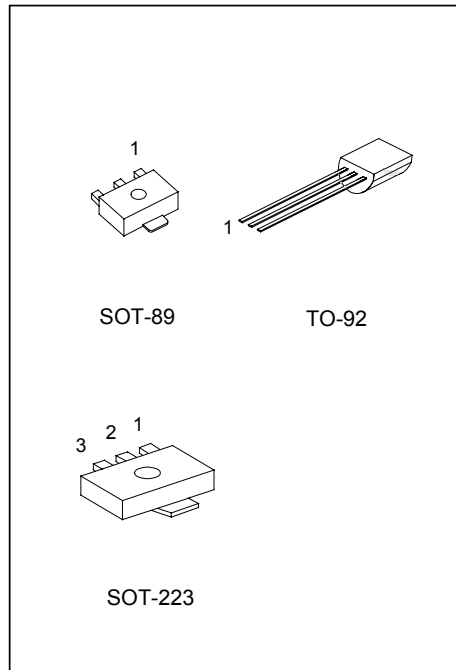
The UTC UR133/A is a 300/500mA fixed output voltage low dropout linear regulator. Wide range of available output voltage fits most of applications. Built-in output current-limiting most thermal-limiting provide maximal protection against any fault conditions.

FEATURES

- *Guaranteed 300/500mA output current
- *Input voltage range up to 12V
- *Extremely tight load regulation
- *Fast transient response
- *Current-limiting and Thermal-limiting
- *Three-terminal adjustable or fixed 1.5V, 1.8V, 2.2V, 2.5V, 2.7V, 2.8V, 2.9V, 3.0V, 3.3V, 3.5V, 3.7V, 4.7V, 5.0V

APPLICATIONS

- *Voltage regulator for LAN Card, CD-ROM, and DVD
- *Wireless communication systems



PIN DESCRIPTION

NAME	FUNCTION
VOUT	Output
GND	Ground/Adjustable
VIN	Positive Power Input

UTCUR133/A LINEAR INTEGRATED CIRCUIT

MARKING INFORMATION

PACKAGE	VOLTAGE CODE	PIN CODE	PIN 1	PIN 2	PIN 3	MARKING
SOT-89	15:1.5V	A	GND	OUT	IN	
	18:1.8V	B	OUT	GND	IN	
	22:2.2V	C	GND	IN	OUT	
	25:2.5V	D	IN	GND	OUT	
	27:2.7V					
TO-92	28:2.8V	A	GND	OUT	IN	
	29:2.9V	B	OUT	GND	IN	
	30:3.0V	C	GND	IN	OUT	
	33:3.3V	D	IN	GND	OUT	
	35:3.5V					
SOT-223	37:3.7V	A	GND	OUT	IN	
	47:4.7V	B	OUT	GND	IN	
	50:5.0V	C	GND	IN	OUT	
	AD: ADJUSTABLE	D	IN	GND	OUT	

ABSOLUTE MAXIMUM RATINGS

PARAMETER	MIN.	TYP.	MAX.	UNIT
Input Voltage V_{in}	-0.3		12	V
Operating Junction Temperature Range	-40		125	°C
Storage Temperature Range	-65		150	°C
Power Dissipation				W
SOT-89		0.50		
Thermal Resistance, $RO_{JC}=100^{\circ}\text{C/W}$				
Thermal Resistance, $RO_{JA}=300^{\circ}\text{C/W}$				
TO-92		0.60		
Thermal Resistance, $RO_{JA}=160^{\circ}\text{C/W}$				
SOT-223		0.80		
Thermal Resistance, $RO_{JC}=15^{\circ}\text{C/W}$				
Thermal Resistance $RO_{JA}=60^{\circ}\text{C/W}$ (est)				

UTC UR133/A LINEAR INTEGRATED CIRCUIT

UTC UR133/A 1.5V, 1.8V, 2.2V, 2.5V, 2.7V, 2.8V, 2.9V, 3.0V

ELECTRICAL CHARACTERISTICS (Ta=25°C, CIN=1μF, COUT=10μF, unless otherwise specified)

PARAMETER	TEST CONDITIONS	MIN	TYP.	MAX	UNITS
Output Voltage UR133/A	IL=2mA, VIN-VOUT=1.4V	1.47	1.50	1.53	V
		1.77	1.80	1.83	
		2.16	2.20	2.24	
		2.45	2.50	2.55	
		2.65	2.70	2.75	
		2.74	2.80	2.86	
		2.84	2.90	2.96	
		2.94	3.00	3.06	
Output Voltage Temperature Coefficient			50	150	PPM/°C
Line Regulation	IL=2mA, VIN-Vout=2V~VIN=9V			0.5	%VOUT
Load Regulation (note 2) UR133 UR133A	IL=2mA~300mA, VIN-Vout =2V IL=2mA~500mA, VIN-Vout =2V		10	30	mV
			10	50	
Current Limit (note 3) UR133 UR133A	VIN-Vout=2V, VOUT=0V	350			mA
		550			
Dropout Voltage (note 4,5)				1.5	V
Standby current	IL=0, VIN=9V			3.0	mA

UTC UR133/A ADJ 3.3V, 3.5V, 3.7V, 4.7V, 5.0V

ELECTRICAL CHARACTERISTICS (Ta=25°C, CIN=1μF, COUT=10μF, unless otherwise specified)

PARAMETER	TEST CONDITIONS	MIN	TYP.	MAX	UNITS
Adjustable (R1=120Ω, R2=200Ω, Vout=3.3V)					
Reference Voltage	VIN-Vo=2V, IL=2mA	1.238	1.250	1.262	V
Output Voltage UR133/A	IL=2mA, VIN-VOUT=1.4V	3.23	3.30	3.37	V
		3.43	3.50	3.57	
		3.63	3.70	3.77	
		4.61	4.70	4.79	
		4.90	5.00	5.10	
Output Voltage Temperature Coefficient			50	150	PPM/°C
Line Regulation	IL=2mA, VIN-Vout=2V~VIN=12V			0.5	%VOUT
Load Regulation (note 2) UR133 UR133A	IL=2mA~300mA, VIN-Vout =2V IL=2mA~500mA, VIN-Vout =2V		10	30	mV
			10	50	
Current Limit (note 3) UR133 UR133A	VIN-Vout=2V, VOUT=0V	350			mA
		550			
Dropout Voltage (note 4,5)				1.3	V
Standby current	IL=0, VIN=12V			5.0	mA

Note 1: Guaranteed by design.

Note 2: Regulation is measured at constant junction temperature, using pulsed ON time.

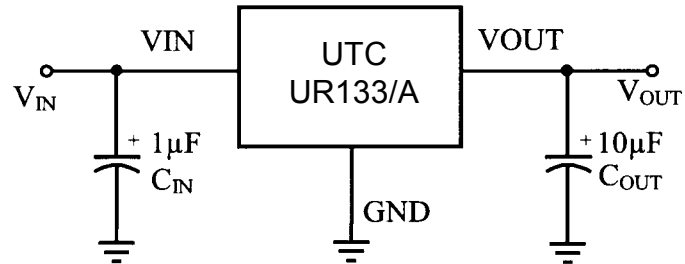
Note 3: Current Limit is measured at constant junction temperature, using pulsed ON time.

Note 4: Dropout is measured at constant junction temperature, using pulsed ON time, and the criterion is VOUT inside target value±2%.

Note 5: Dropout test is skipped at the condition of VIN<3V.

UTC UR133/A LINEAR INTEGRATED CIRCUIT

TYPICAL APPLICATION CIRCUIT

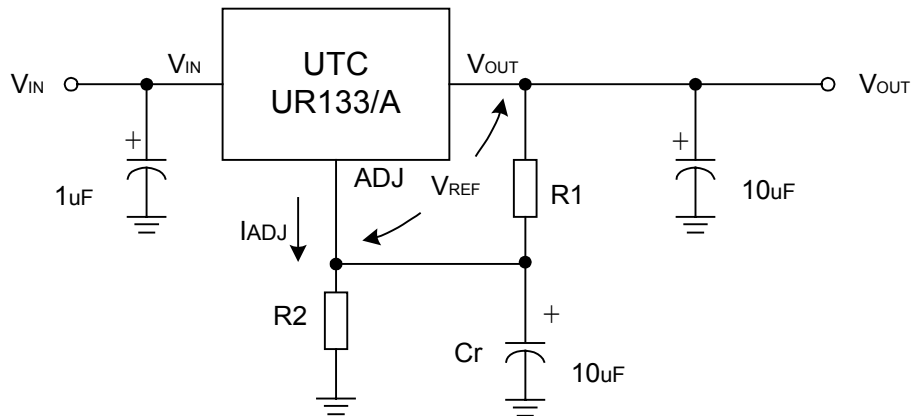


APPLICATION INFORMATION

A 10µF (or larger) capacitor is recommended between VOUT and GND for stability. The part may oscillate without the capacitor. Any type of capacitor can be used, but not Aluminum electrolytics when operating below -25°C. The capacitance may be increased without limit.

A 1µF capacitor (or larger) should be placed between VIN to GND.

UR133/A ADJUSTABLE

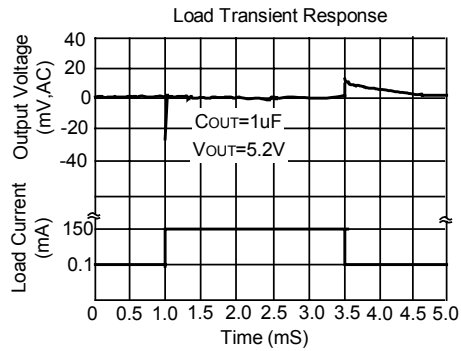
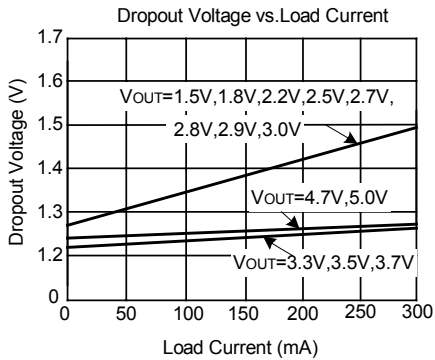
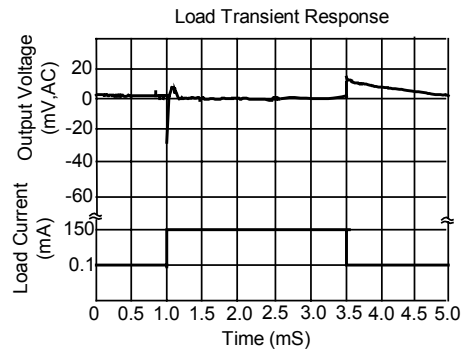
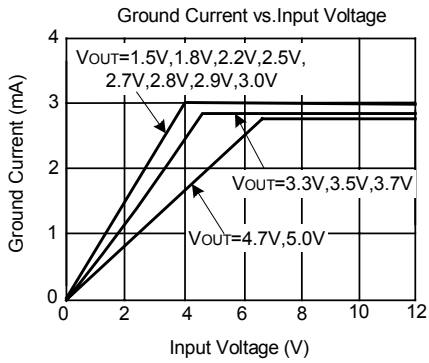
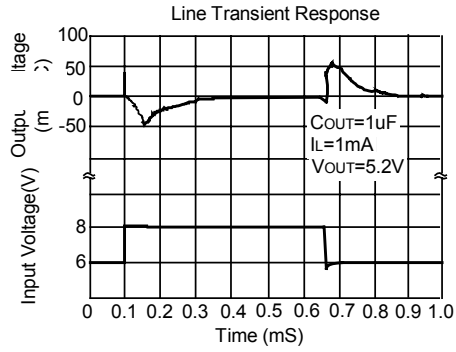
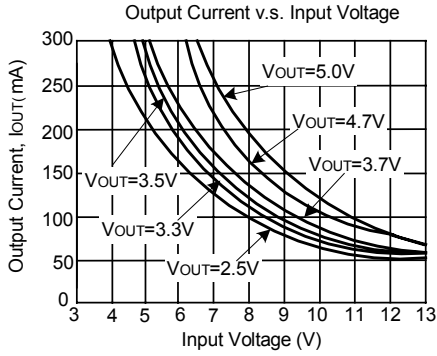


Cr: 10µF to improve ripple rejection

$$V_{OUT} = V_{REF}(1 + R_2/R_1) + I_{ADJ} * R_2$$

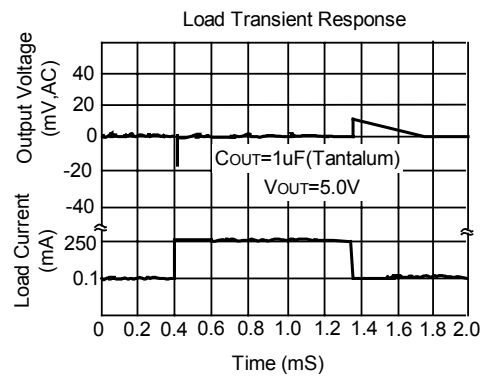
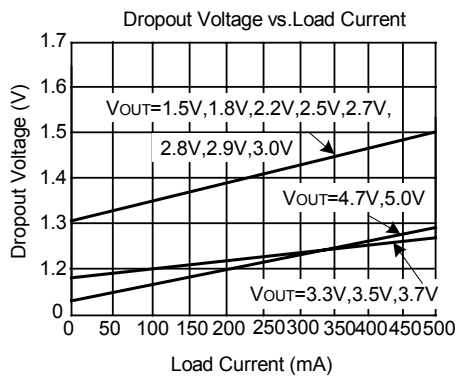
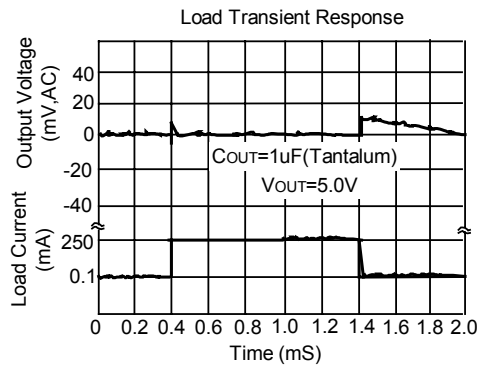
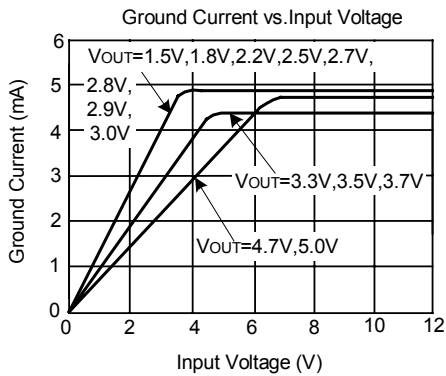
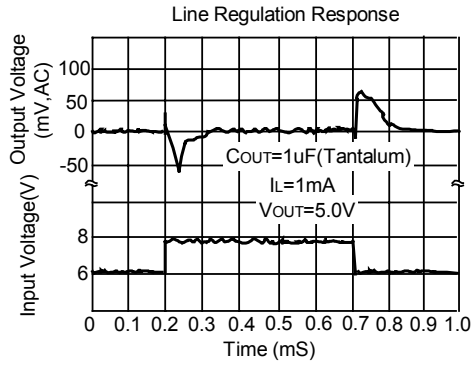
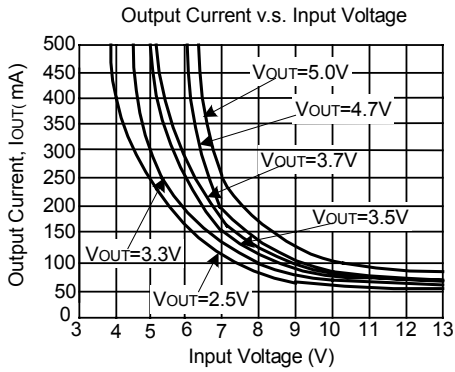
UTCUR133/A LINEAR INTEGRATED CIRCUIT

UR133



UTCUR133/A LINEAR INTEGRATED CIRCUIT

UR133A



UTCUR133/A LINEAR INTEGRATED CIRCUIT

UTC assumes no responsibility for equipment failures that result from using products at values that exceed, even momentarily, rated values (such as maximum ratings, operating condition ranges, or other parameters) listed in products specifications of any and all UTC products described or contained herein. UTC products are not designed for use in life support appliances, devices or systems where malfunction of these products can be reasonably expected to result in personal injury. Reproduction in whole or in part is prohibited without the prior written consent of the copyright owner. The information presented in this document does not form part of any quotation or contract, is believed to be accurate and reliable and may be changed without notice.