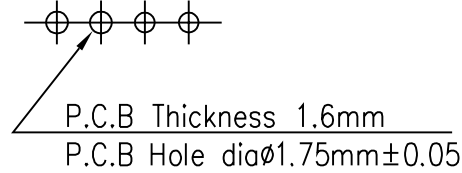
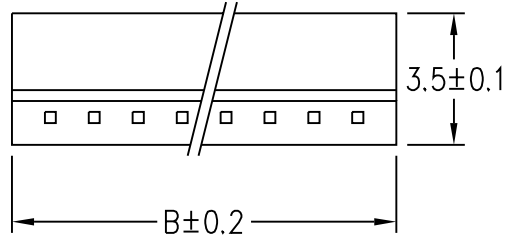


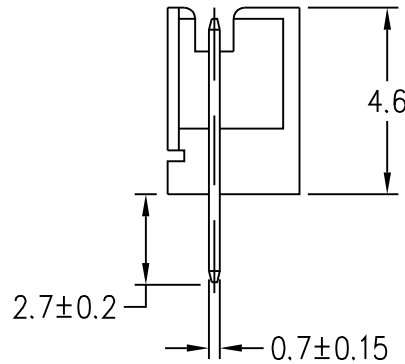
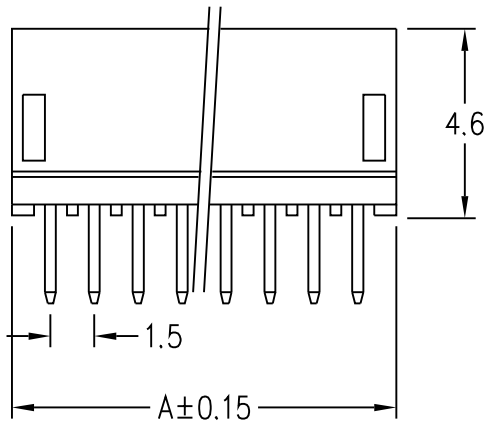
1 2 3 4 5 6 7

A



Circuits	Part NO.	Dimension mm	
		Straight Angle	A
2	4319-W02S	1.50	4.50
3	4319-W03S	3.00	6.00
4	4319-W04S	4.50	7.50
5	4319-W05S	6.00	9.00
6	4319-W06S	7.50	10.50
7	4319-W07S	9.00	12.00
8	4319-W08S	10.50	13.50
9	4319-W09S	12.00	15.00
10	4319-W10S	13.60	16.60
11	4319-W11S	15.10	18.10
12	4319-W12S	16.60	19.60
13	4319-W13S	18.10	21.10

B



C

D

Ordering information:

4319-WXXXX T: Tin
G: Gold
R: Right angle
S: Straight
PIN: 02~13

Features:

- * Available in 2 through 13 circuits
- * Nylon 55 UL94V-2
- * 1.14mm(0.45") tin plated square pin
- * Mates with 4319-HXX series socket
- * Tolerance ± 0.2

Specifications:

- * Pitch between poles 3.96mm
- * Rated Voltage 250V AC,DC
- * Rated Current 5A AC,DC
- * Withstand Voltage 1500V AC/Minute
- * Insulation Resistancs 1000M Ω /min
- * Temperature Range -25~85°C
- * Applicable P.C.B Thickness 1.6mm
- * Applicable P.C.B Hole dia $\phi 1.75\text{mm} \pm 0.05$

易昕企業有限公司 LEAMAX ENTERPRISE CO., LED.				
PROJ		SCALE : F DO NOT SCALE DWG	MOLD NO 4319	
APP			MODEL	FILE NO
CHK	CCJ	90.12.29	P:1.5mm	WAFER ROUND PIN
DGN	AMY	90.12.29	UNIT	SHT 1 OF 1
DRW	SHIEH	90.12.29	MM	SIZE A4

1 2 3 4 5 6 7

E

A

B

C

D

E