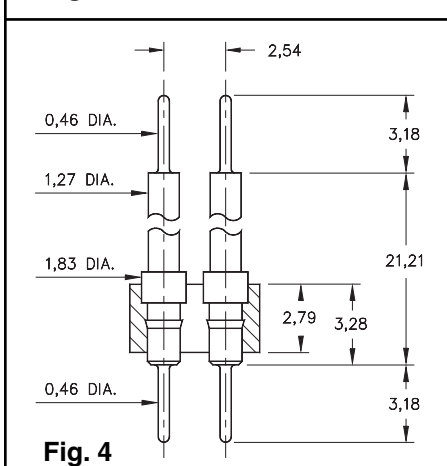
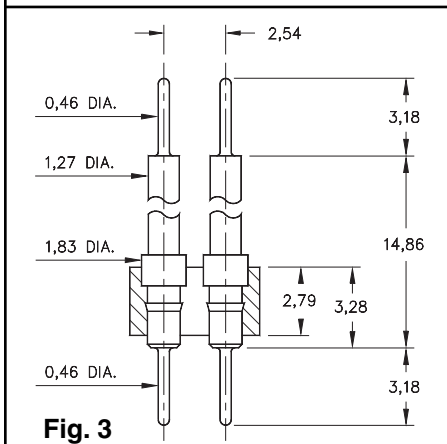
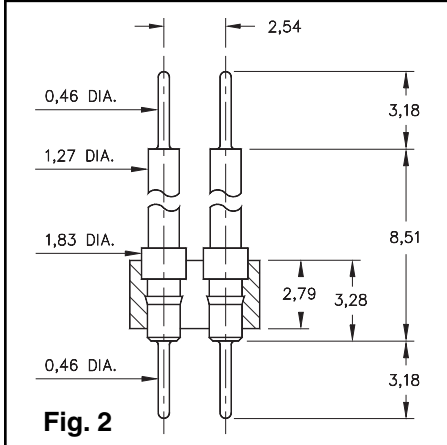
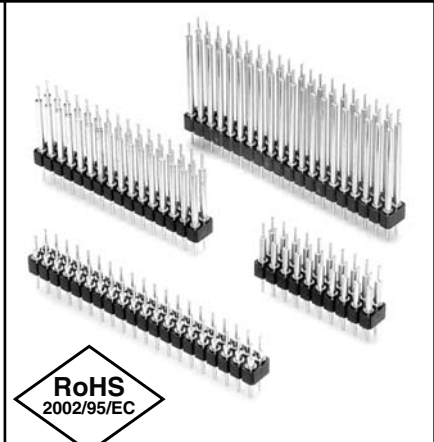


- Series 442 Interconnect Header strips come in four heights with 0,46 dia. pluggable solder tails at both ends.
- 442...591 uses pin #4259-1 ( L = 5,33 )
- 442...592 uses pin #4259-2 ( L = 8,51 )
- 442...593 uses pin #4259-3 ( L = 14,86 )
- 442...594 uses pin #4259-4 ( L = 21,21 )
- See pages 179 for details.
- Insulators are high temp. thermoplastic.



### Ordering Information

<b>Fig. 1</b>	<b>Series 442...591</b> <b>0,46 / 0,46 Interconnect</b>
	442-XX-2_ _ -00-591000 Specify # of pins    →    02-64
<b>Fig. 2</b>	<b>Series 442...592</b> <b>0,46 / 0,46 Interconnect</b>
	442-XX-2_ _ -00-592000 Specify # of pins    →    02-64
<b>Fig. 3</b>	<b>Series 442...593</b> <b>0,46 / 0,46 Interconnect</b>
	442-XX-2_ _ -00-593000 Specify # of pins    →    02-64
<b>Fig. 4</b>	<b>Series 442...594</b> <b>0,46 / 0,46 Interconnect</b>
	442-XX-2_ _ -00-594000 Specify # of pins    →    02-64

For Electrical, Mechanical & Environmental Data, See pg. 4

XX=Plating Code See Below

For RoHS compliance select ◇ plating code.

SPECIFY PLATING CODE XX=	10◇	90	40◇	
Pin Plating	0,25µ Au	5,08µ Sn/Pb	5,08µ Sn	