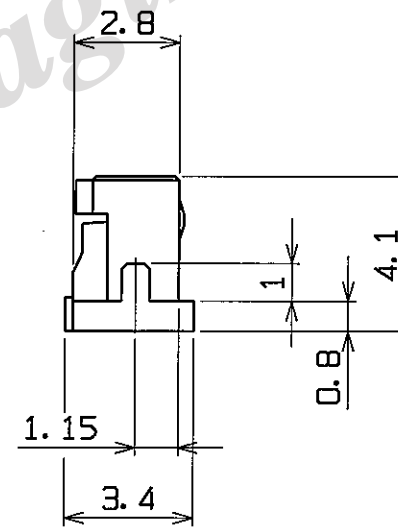


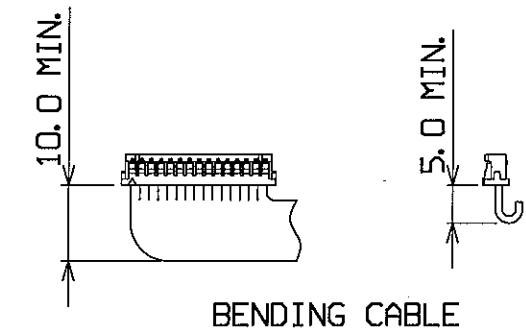
LOGO MARK

PART No.	POS.	A	B	C
20008-002-##	2	1.25	3.05	4.15
20008-003-##	3	2.5	4.3	5.4
20008-004-##	4	3.75	5.55	6.65
20008-005-##	5	5	6.8	7.9
20008-006-##	6	6.25	8.05	9.15
20008-007-##	7	7.5	9.3	10.4
20008-008-##	8	8.75	10.55	11.65
20008-009-##	9	10	11.8	12.9
20008-010-##	10	11.25	13.05	14.15
20008-011-##	11	12.5	14.3	15.4
20008-012-##	12	13.75	15.55	16.65
20008-013-##	13	15	16.8	17.9
20008-014-##	14	16.25	18.05	19.15
20008-015-##	15	17.5	19.3	20.4

☆EXAMPLE
 20008-002 : WITH LOGO MARK
 20008-002-HO : WITHOUT LOGO MARK



1. MATERIAL
INSULATOR-PA, NATURAL (UL94V-0)
2. 20008-....: SEE No. 300-013 OF THE PACKING STANDARD.
20008-....-HO: SEE No. 300-055 OF THE PACKING STANDARD.
3. THIS MARK MEANS No. 1 POSITION.
4. CABLEヲ曲ゲテ使用ル場合ニハ、右記寸法ヲ推奨ス。
但シ、曲ゲR等ハCABLEメーカーハ推奨条件ノ確認ヲ取ル事。



DESIGN'D BY T. HACHIYA	DATE 07/07/94	I-PEX Interconnect and Packaging Electronics TOKYO, JAPAN	TOL. ±0.3 , ±2'	TITLE DUALOK HOUSING.
CHK'D BY Y. H	DATE 07/08/94		SCALE 5/1	UNIT MM
4 DZ9088 YA DEC/17/99	APP'D BY Y. FUKUDA	DATE 07/09/94	DWG. No. 20008	SHEET 1/1
REV. RECORD SERIES No. 2210	CUSTOMER COPY	PROJECTION	REV. 4	