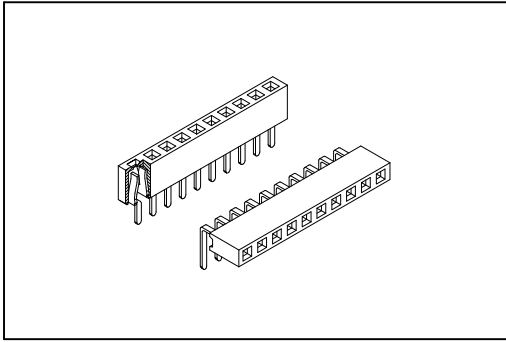


# 2041 Series

## P.C.B. Socket 2.54mm(0.100")



### Material:

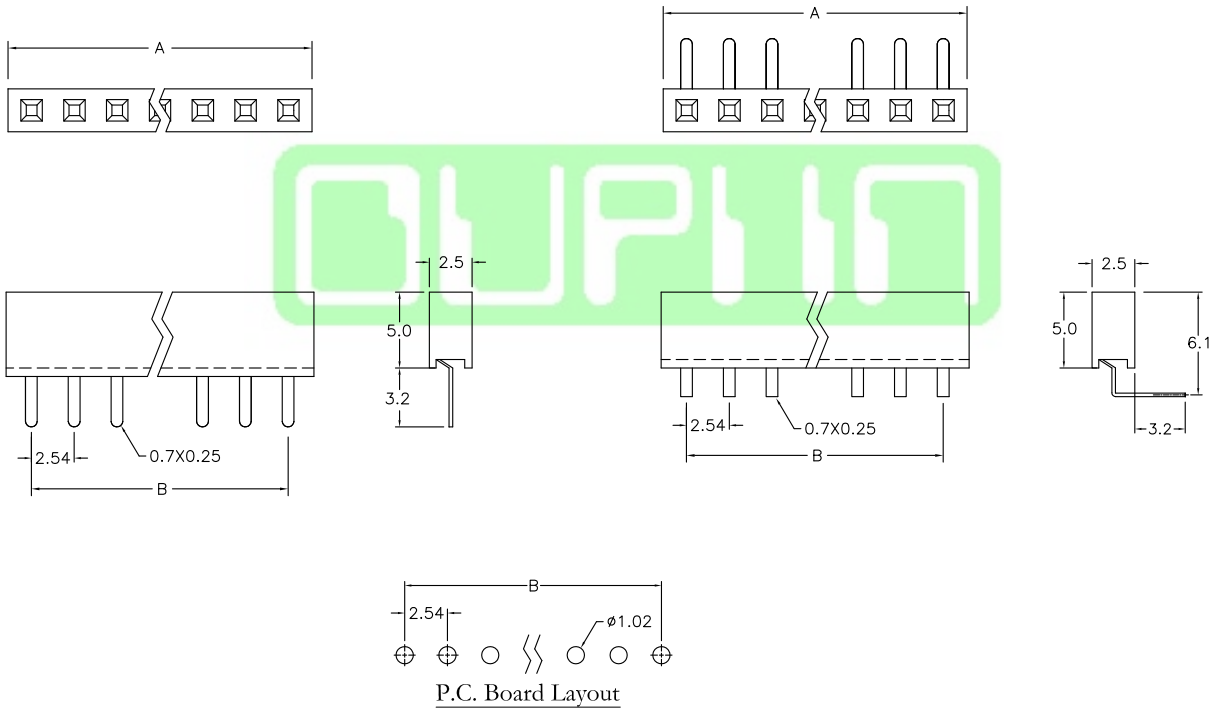
Housing: Thermoplastic Polyester Glass Filled UL94V-0.  
Contacts: Copper Alloy.

### Electrical Characteristics:

Current Rating: 2 A.  
Dielectric Withstanding Voltage: AC 1000V.  
Insulator Resistance: 1000MΩ min.  
Contact Resistance: 20mΩ max.  
Operating Temperature: -55°C~+105°C.

### Features:

- \* Available in Straight and Right Angle.
  - \* Low profile 5.0mm (0.197").
  - \* Mates with 0.64mm (0.025") square pin.
  - \* Dual beam contacts offer ultimate performance.
  - \* Additional plating options available.
- Mates with: 2011,2012,2015.



Position	2 Thru 40
Dimension	
A	2.54 X No. of Positions
B	2.54 X No. of Positions -2.54

## Ordering Information

**2041-** Series    **1** Single Row    **X** No. of Pin Per Row    **40**    **G** G: Gold Plated    **00** 00: G/F    **S** S: Straight R: Right Angle    **A** A: Tray Package B: Bulk Package