

PROGRAMMING JUMPERS

FEATURES

- Mates with 0.025" square or round posts on 0.100" grid
- Side and end stackable
- Dual wipe contact design (two points of contact per pin)
- Reliable, cost effective alternative to switches
- Multiple positions allow "gang loading"

MATERIALS

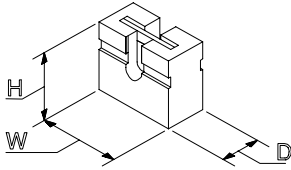
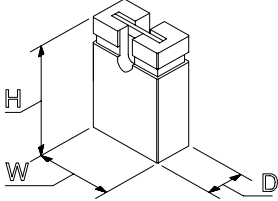
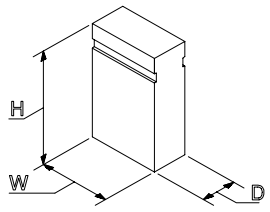
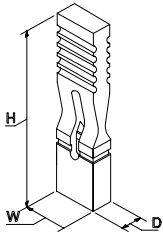
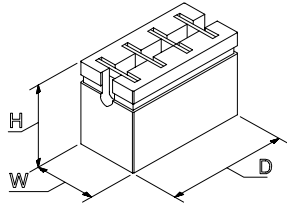
INSULATOR BODY	Glass Filled Polyester (UL94V-O)
CONTACT	Phosphor Bronze

STANDARD PART DIMENSIONS

INSULATOR BODY		Open Top Low Profile	Open Top	Closed Top	Open Top With Handle	Open Top Multiple Positions
W	WIDTH	0.196" / 4,98mm	0.196" / 4,98mm	0.196" / 4,98mm	0.196" / 4,98mm	0.196" / 4,98mm
H	HEIGHT	0.177" / 4,50mm	0.236" / 5,99mm	0.255" / 6,48mm	0.540" / 13,72mm	0.236" / 5,99mm
D	DEPTH	0.098" / 2,49mm	0.098" / 2,49mm	0.098" / 2,49mm	0.098" / 2,49mm	No. Contacts / 2 x 0.100"

INSERTION DEPTH		Open Top Low Profile	Open Top	Closed Top	Open Top With Handle	Open Top Multiple Positions
MINIMUM		0.140" / 3,56mm	0.170" / 4,32mm	0.170" / 4,32mm	0.170" / 4,32mm	0.170" / 4,32mm
MAXIMUM		N/A	N/A	0.236" / 5,99mm	0.230" / 5,84mm	N/A

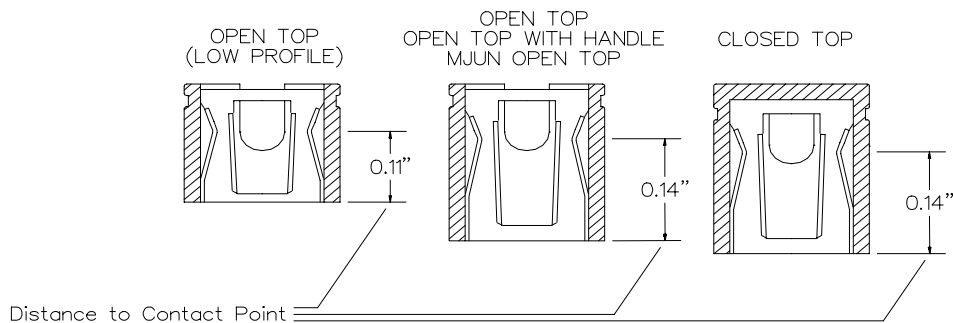
See SPECIFICATIONS and PERFORMANCE DATA for more information.

<p>OPEN TOP (Low Profile)</p> 	<p>OPEN TOP</p> 	<p>CLOSED TOP</p> 
<p>OPEN TOP WITH HANDLE</p> 	<p>OPEN TOP MULTIPLE POSITIONS</p> 	<p>Jumpers are available PRE-INSTALLED on your Crane header. Please contact us for ordering information.</p>

SAMPLE HOTLINE: 1-800-676-7644

0.100" (2,54mm) Centers To Mate With 0.025" (0,64mm) Square Posts		HOW TO ORDER CRANE'S JUN/MJUN SERIES					
		STANDARD PART NUMBER					
PRODUCT SERIES		JUN					
		MJUN					
TOTAL NUMBER OF POSITIONS		JUN	02				
		MJUN	04-20				
NUMBER OF ROWS		SINGLE	S				
		DUAL (MJUN Only)	D				
TYPE OF JUMPER		STRAIGHT		S			
CONTACT PLATING (See Below For Specifications)		CHOOSE G, T or H, F					
BODY TYPE		JUN SERIES	CLOSED TOP		C	B	
			OPEN TOP		O	A	
			OPEN TOP (Low Profile)		O	B	
			OPEN TOP WITH HANDLE		O	H	
		MJUN SERIES	OPEN TOP - MULTIPLE POSITIONS		O	A	

NOTE: Standard insulator color is black, but other colors are available.



SAMPLE HOTLINE: 1-800-676-7644

CRANE CONNECTORS - PLATING SPECIFICATIONS

PLATING OPTIONS		CONTACT AREA Inches (Millimeters)	PC TAIL Inches (Millimeters)	UNDERPLATE Inches (Millimeters)
G	Selective	15 μ (0,00038) Gold	100 μ (0,00254) Tin/Lead - Min	50 μ (0,00127) Nickel - Min.
T	Tin / Lead	100 μ (0,00254) Tin / Lead	100 μ (0,00254) Tin/Lead - Min	50 μ (0,00127) Nickel - Min.
M	Selective	50 μ (0,00127) Gold	100 μ (0,00254) Tin/Lead - Min	50 μ (0,00127) Nickel - Min.
H	Selective	30 μ (0,00076) Gold	100 μ (0,00254) Tin/Lead - Min	50 μ (0,00127) Nickel - Min.
L	Selective	10 μ (0,00025) Gold	100 μ (0,00254) Tin/Lead - Min	50 μ (0,00127) Nickel - Min.
F	Selective	3 μ (0,00008) Gold	100 μ (0,00254) Tin/Lead - Min	50 μ (0,00127) Nickel - Min.

STANDARDS

ISO9001



Crane Connectors
File No. A-3620

Registered by UL to ISO9001 under UL's accreditation by Raad voor de Certificatie (RvC), the Dutch Council for Certification.

ENGINEERING NOTE: The information presented in this catalog page is accurate to the best of our knowledge. Due to ongoing efforts to advance design and material performance, the information is subject to change without notice.

SAMPLE HOTLINE: 1-800-676-7644

CRANE CONNECTORS • 4700 Smith Road • Cincinnati, Ohio 45212 USA • E-mail Address: info@craneconnectors.com
Phone: (513) 631-4700 • Fax (513) 631-5700 • Toll Free US (800) 676-7644 • Canada (800) 420-7310