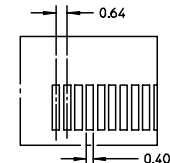
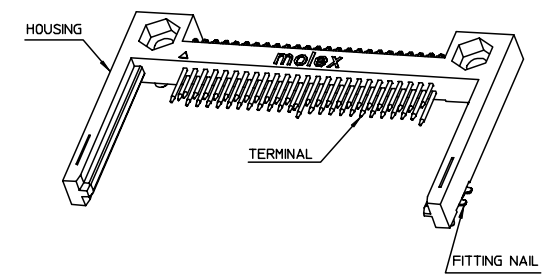
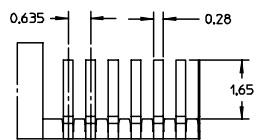
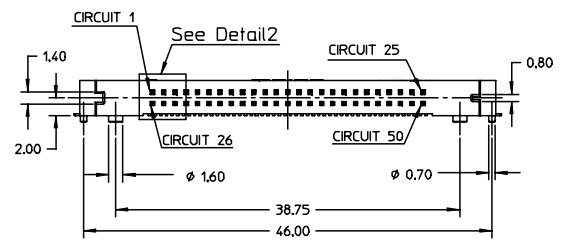


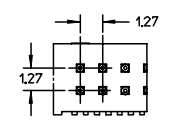
SECTION A-A  
SCALE 2.5:1



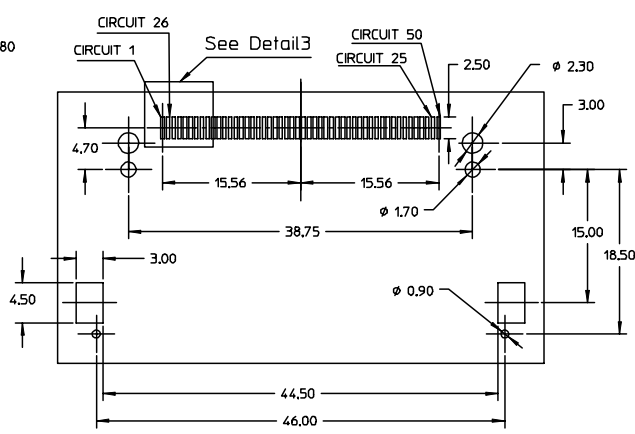
Detail3  
SCALE 5:1



Detail1  
SCALE 10:1



Detail2  
SCALE 5:1



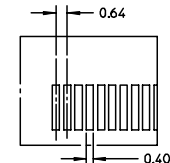
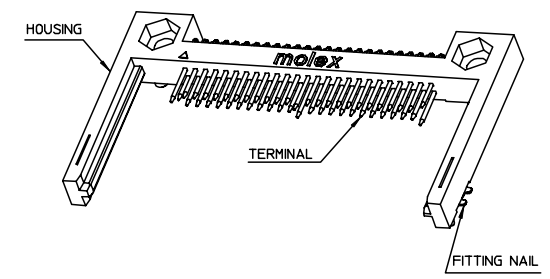
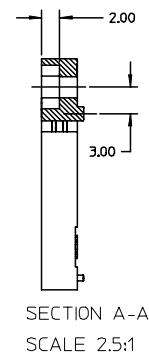
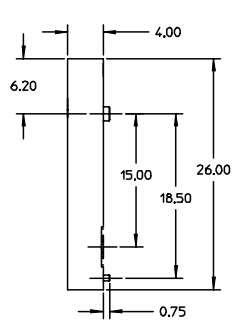
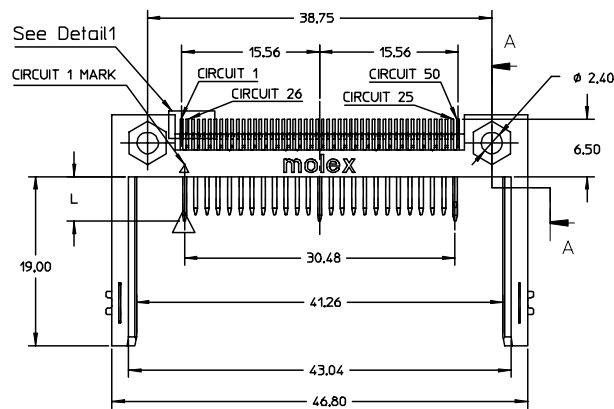
RECOMMENDED PCB LAYOUT (UNSPECIFIED TOLERANCE : ±0.05)

NOTES:

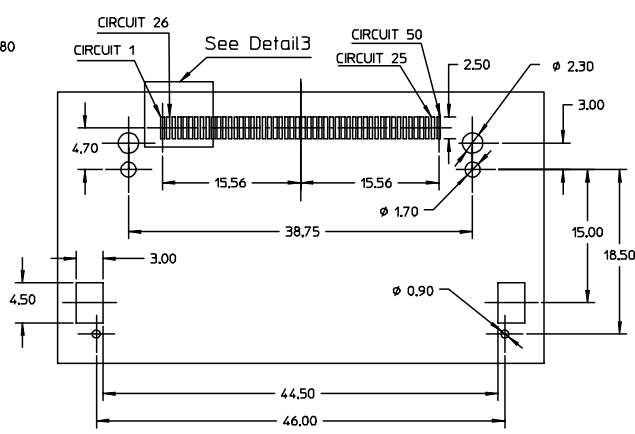
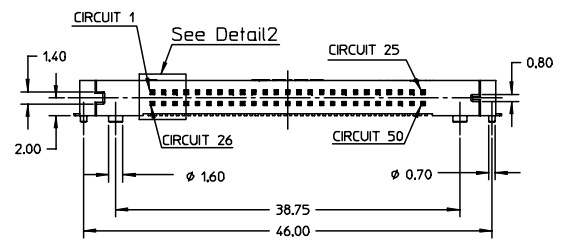
- 1 MATERIAL:
  - 1-1 HOUSING: LIQUID CRYSTAL POLYMER(LCP), GLASS FIBER FILLED, UL94 V-0, COLOR: BLACK
  - 1-2 TERMINAL: COPPER ALLOY
  - 1-3 FITTING NAIL: COPPER ALLOY
- 2 FINISH:
  - 2-1 TERMINAL:
    - SELECTIVE GOLD (Au) 15µ" ON CONTACT AREA
    - SELECTIVE TIN-LEAD ALLOY IN SOLDER TAIL AREA
    - THICKNESS= 3.75 MICROMETER
    - NICKEL(Ni) OVERALL
  - 2-2 FITTING NAIL:
    - TIN-LEAD OVERALL, NICKEL(Ni) OVERALL UNDERPLATING
- 3 RECOMMENDED P.C.B. THICKNESS : t=0.8mm MINIMUM
- 4 RECOMMENDED CARD THICKNESS OF CONNECTING AREA: 3.3mm +/- 0.1mm
- 5 RECOMMENDED CARD WIDTH : 42.8mm +/- 0.1mm
- 6 TOTAL COPLANARITY OF SOLDER TAILS AND FITTING NAILS TO BE 0.10mm MAX
- 7 PRODUCT SPECIFICATION: PS-67465-005

25, 26	3.50
ALL OTHER CIRCUITS	4.25
1, 13, 38, 50	5.00
CIRCUIT NO.	DIMENSION L

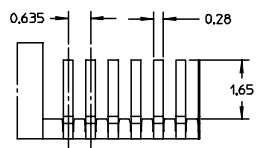
NEW RELEASE EC NO: SH2004-0036 DRWN: XIXU 2004/02/26 CHKD: JLU 2004/03/01 APPR: SHUANG 2004/03/01	QUALITY SYMBOLS ▽-0 ▽-0	GENERAL TOLERANCES (UNLESS SPECIFIED)		SCALE 2:1	DESIGN UNITS METRIC	THIRD ANGLE PROJECTION	REVISE ON CAD ONLY	
			m	INCH	DIMENSION STYLE MM ONLY		TITLE	
		4 PLACES	± ---	± ---	DRAWN BY DATE		CF CARD CONN. R/A SMT	
		3 PLACES	± ---	± ---	XU XIANG 2003-12-17		50P HEADER TYPE I	
	2 PLACES	± 0.2	± ---	CHECKED BY DATE		MOLEX INCORPORATED		
	1 PLACE	± ---	± ---	JLU 2003-12-17		MATERIAL NO. DOCUMENT NO. SHEET NO.		
	ANGULAR ±1/2°		APPROVED BY DATE		470360001 SD-47036-001 1 OF 1			
DRAFT WHERE APPLICABLE		MUST REMAIN WITHIN DIMENSIONS		THIS DRAWING CONTAINS INFORMATION THAT IS PROPRIETARY TO MOLEX INCORPORATED AND SHOULD NOT BE USED WITHOUT WRITTEN PERMISSION				



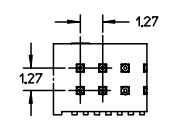
Detail3  
SCALE 5:1



RECOMMENDED PCB LAYOUT (UNSPECIFIED TOLERANCE : ±0.05)



Detail1  
SCALE 10:1



Detail2  
SCALE 5:1

NOTES:

- 1 MATERIAL:
  - 1-1 HOUSING: LIQUID CRYSTAL POLYMER(LCP), GLASS FIBER FILLED, UL94 V-0, COLOR: BLACK
  - 1-2 TERMINAL: COPPER ALLOY
  - 1-3 FITTING NAIL: COPPER ALLOY
- 2 FINISH:
  - 2-1 TERMINAL:
    - SELECTIVE GOLD (Au) 15µ" ON CONTACT AREA
    - SELECTIVE TIN-LEAD ALLOY IN SOLDER TAIL AREA
    - THICKNESS= 3.75 MICROMETER
    - NICKEL(Ni) OVERALL
  - 2-2 FITTING NAIL:
    - TIN-LEAD OVERALL, NICKEL(Ni) OVERALL UNDERPLATING
- 3 RECOMMENDED P.C.B. THICKNESS : t=0.8mm MINIMUM
- 4 RECOMMENDED CARD THICKNESS OF CONNECTING AREA: 3.3mm +/- 0.1mm
- 5 RECOMMENDED CARD WIDTH : 42.8mm +/- 0.1mm
- 6 TOTAL COPLANARITY OF SOLDER TAILS AND FITTING NAILS TO BE 0.10mm MAX
- 7 PRODUCT SPECIFICATION: PS-67465-005

25, 26	3.50
ALL OTHER CIRCUITS	4.25
1, 13, 38, 50	5.00
CIRCUIT NO.	DIMENSION L

NEW RELEASE EC NO: SH2004-0036 DRWN: XIXU 2004/02/26 CHKD: JLU 2004/03/01 APPR: SHUANG 2004/03/01	QUALITY SYMBOLS ▽-0 ▽-0	GENERAL TOLERANCES (UNLESS SPECIFIED)		SCALE 2:1	DESIGN UNITS METRIC	THIRD ANGLE PROJECTION	REVISE ON CAD ONLY	
		m	INCH	DIMENSION STYLE MM ONLY		TITLE		
		4 PLACES ± --- ± ---	3 PLACES ± --- ± ---	DRAWN BY XU XIANG	DATE 2003-12-17	ASSEMBLY CF CARD CONN. R/A SMT 50P HEADER TYPE I molex MOLEX INCORPORATED		
		2 PLACES ± 0.2 ± ---	1 PLACE ± --- ± ---	CHECKED BY JLU	DATE 2003-12-17			
ANGULAR ±1/2°		DRAFT WHERE APPLICABLE		APPROVED BY SHUANG	DATE 2003-12-17	MATERIAL NO. 470360001	DOCUMENT NO. SD-47036-001	
MUST REMAIN WITHIN DIMENSIONS		THIS DRAWING CONTAINS INFORMATION THAT IS PROPRIETARY TO MOLEX INCORPORATED AND SHOULD NOT BE USED WITHOUT WRITTEN PERMISSION		SHEET NO. 1 OF 1				