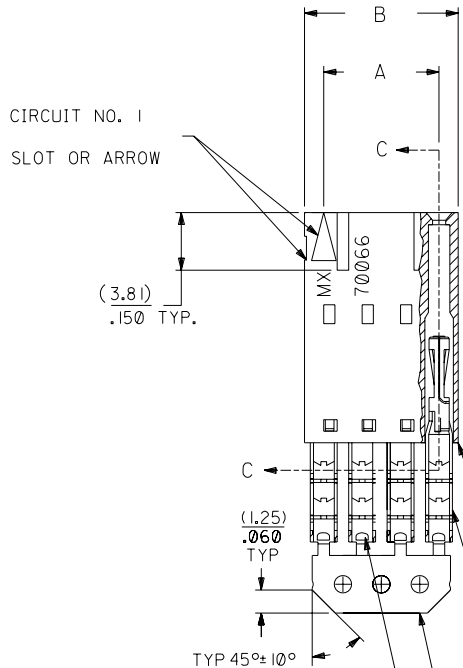
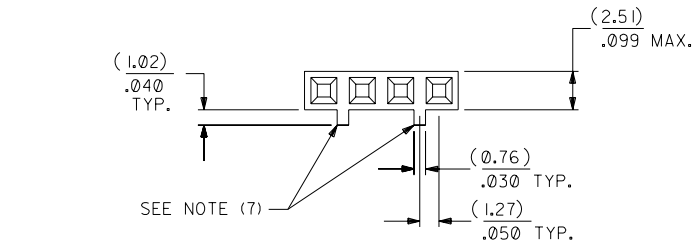


# OPTION C

## NOTES:

- TO BE USED WITH (22) AWG. STRANDED WIRE WITH (1.35)/.053 DIA. MAX. INSULATION.
- SEE CHART FOR CIRCUIT SIZES.
- STANDARD PACKAGING PER PK-70873-0001. OPTIONAL PACKAGING MAY BE AVAILABLE, REQUEST DWG. PK-70400
- PARTS STACKABLE END TO END ON (2.54)/.100 CENTERS.
- REFER TO PRODUCT SPECIFICATION: PS-70400.
- SEE DWG. SDA-70400-\*\*\*\* (SHT. 5) FOR OPTIONAL HOUSING DETAILS.
- 4 CIRCUIT SHOWN. 4 - 25 CKT.'S. HAVE (2) RIBS.
- TO MATE WITH MOLEX PART NO.'S.: A-70374-\*\*\*\*, A-70376-\*\*\*\*, A-70390-\*\*\*\*, A-70392-\*\*\*\*, A-70544-\*\*\*\*, A-70554-\*\*\*\*, A-70542-\*\*\*\*, A-70552-\*\*\*\*, A-70546-\*\*\*\*, A-70556-\*\*\*\*.
- 2 CIRCUIT ASSEMBLIES SUPPLIED AS GROUPED PAIRS.



I.D. SLOT CODE TO WIRE GAUGE CHART	
I.D. SLOT CODE	WIRE GAUGE
D	22 AWG.

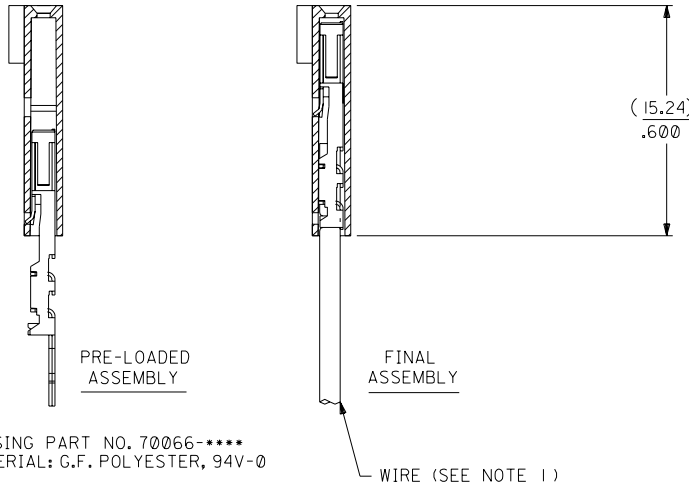
PLATING CODE (STRIPE ON CARRIER STRIP)	
PLATING	COLOR
30 GOLD	RED

30 GOLD - .000030 MIN. GOLD IN SELECT AREA WITH .000075 MIN. TIN IN SELECT AREA OVER .000050 MIN. NICKEL OVER-ALL.

\*THE PRIMARY SHIPPING CARTON WILL BE LABELED "COMPLIANT TO ROHS DIRECTIVE 2002/95/EC AND ELV ANNEX II OF DIRECTIVE 2000/53/EC". CARTONS WITHOUT THIS LABEL MAY CONTAIN PRODUCT WITH LEAD.



## SECTION C-C



HOUSING PART NO. 70066-\*\*\*\*  
MATERIAL: G.F. POLYESTER, 94V-0

TERMINAL PART NO. 70028-\*\*\*\*  
MATERIAL: PHOSPHOR BRONZE  
PLATING PER ES-88-\*\*\*

WIRE (SEE NOTE 1)

CKT. SIZE	A	B	EDP. NO.	ENG. NO.
2	( 2.54 ) .100	( 5.05 ) .199	14-56-8020	A-70400-3385
3	( 5.08 ) .200	( 7.59 ) .299	14-56-8030	A-70400-3386
4	( 7.62 ) .300	( 10.13 ) .399	14-56-8040	A-70400-3387
5	( 10.16 ) .400	( 12.67 ) .499	14-56-8050	A-70400-3388
6	( 12.70 ) .500	( 15.21 ) .599	14-56-8060	A-70400-3389
7	( 15.24 ) .600	( 17.75 ) .699	14-56-8070	A-70400-3390
8	( 17.78 ) .700	( 20.29 ) .799	14-56-8080	A-70400-3391
9	( 20.32 ) .800	( 22.83 ) .899	14-56-8090	A-70400-3392
10	( 22.86 ) .900	( 25.37 ) .999	14-56-8100	A-70400-3393
11	( 25.54 ) 1.000	( 27.91 ) 1.099	14-56-8110	A-70400-3394
12	( 27.94 ) 1.100	( 30.45 ) 1.199	14-56-8120	A-70400-3395
13	( 30.48 ) 1.200	( 32.99 ) 1.299	14-56-8130	A-70400-3396
14	( 33.02 ) 1.300	( 35.53 ) 1.399	14-56-8140	A-70400-3397
15	( 35.56 ) 1.400	( 38.07 ) 1.499	14-56-8150	A-70400-3398
16	( 38.01 ) 1.500	( 40.61 ) 1.599	14-56-8160	A-70400-3399
17	( 40.64 ) 1.600	( 43.15 ) 1.699	14-56-8170	A-70400-3400
18	( 43.18 ) 1.700	( 45.69 ) 1.799	14-56-8180	A-70400-3401
19	( 45.72 ) 1.800	( 48.23 ) 1.899	14-56-8190	A-70400-3402
20	( 48.26 ) 1.900	( 50.77 ) 1.999	14-56-8200	A-70400-3403
21	( 50.80 ) 2.000	( 53.31 ) 2.099	14-56-8210	A-70400-3404
22	( 53.34 ) 2.100	( 55.85 ) 2.199	14-56-8220	A-70400-3405
23	( 55.88 ) 2.200	( 58.39 ) 2.299	14-56-8230	A-70400-3406
24	( 58.42 ) 2.300	( 60.93 ) 2.399	14-56-8240	A-70400-3407
25	( 60.96 ) 2.400	( 63.47 ) 2.499	14-56-8250	A-70400-3408

REV.	DATE	BY	CHK'D.	SCALE
D		AAB	WAZ	4:1
C		AAB	WAZ	4:1
B		AAB	WAZ	4:1
A		AAB	WAZ	4:1

REV.	DATE	BY	CHK'D.	SCALE
D		AAB	WAZ	4:1
C		AAB	WAZ	4:1
B		AAB	WAZ	4:1
A		AAB	WAZ	4:1

DIMENSIONS SHOWN (METRIC) INCH UNLESS OTHERWISE SPECIFIED TOLERANCES: ANGULAR ± 1/2°		MFG. SH. REV.	
3 PLACE ± .010	INCH	REVISIONS	REV.
2 PLACE ± .014 ± 0.25	METRIC		
1 PLACE --- ± 0.35			
DRAFT WHERE APPLICABLE MUST REMAIN WITHIN DIMENSIONS			
DRAWG. BY: AAB		CHK'D. BY: WAZ	
APP'D. BY:		SCALE: 4:1	
FILE NAME: 74003385.DWG.		THIS DRAWING CONTAINS INFORMATION THAT IS PROPRIETARY TO MOLEX INC. AND SHOULD NOT BE USED WITHOUT WRITTEN PERMISSION.	
TITLE: ASSEMBLY, SL CONNECTOR (SINGLE ROW- (2.54)/.100 GRID)		SHEET NO. 10/26/87	
PART NO. SDA-70400-3385-3408		DATE: 10/26/87	
MOLEX INCORPORATED, LISLE, ILL. 60532 U.S.A.		SHEET NO. 10/26/87	
SEE CHART		DIV. DA	