

M SERIES SHROUDED HEADER

Features

.028 [0.71] round solder tail with selective gold plating
 Conforms to MIL-C-83503/25A

Specifications Environmental

Temperature Range: -55°C to +120°C

Mechanical

Insulator Material: Glass filled polyester, gray, UL94V-0

Contact Material: Phosphor Bronze

Contact Plating:

Standard
 Contact Area: 30µ IN gold
 Tail Area: 15µ IN tin/lead

Optional
 Contact Area: 15µ IN gold
 Tail Area: 15µ IN tin/lead

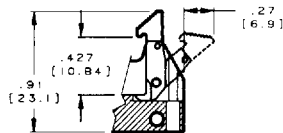
Electrical

Current Rating: 1 AMP
 Dielectric Withstanding Voltage: 500 Vrms
 Insulation Resistance: > 1000 Megohms

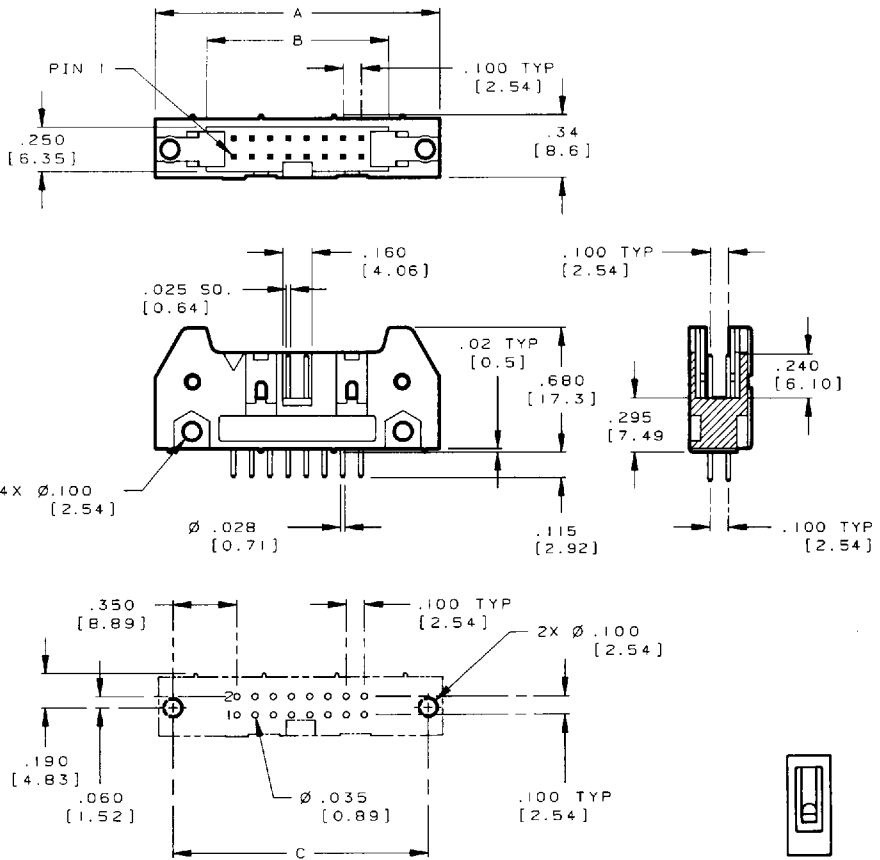
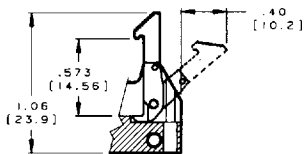
Mating CA Product:

IDS2, FID and IDS

Short Latch Ejector
 for use with IDS2 and FID without strain relief



Long Latch Ejector
 for use with IDS2, FID and IDS with strain relief



P.C.B HOLE PATTERN (COMPONENT SIDE)

POLARIZING KEY CA-HK

No. of Positions	Dimensions			Plating	Part Numbers			
	A	B	C		no latch	short latch	long latch	
*	10	1.26 [32.0]	.700 [17.78]	1.100 [27.94]	30µ IN sel gold	CA-10HM-1F	CA-10HM-1F-S	CA-10HM-1F-SR
					15µ IN sel gold	CA-10HM-1C	CA-10HM-1C-S	CA-10HM-1C-SR
	10	1.26 [32.0]	.700 [17.78]	1.100 [27.94]	30µ IN sel gold	CA-10HM-1F-SPT	CA-10HM-1F-SPT-S	CA-10HM-1F-SPT-SR
					15µ IN sel gold	CA-10HM-1C-SPT	CA-10HM-1C-SPT-S	CA-10HM-1C-SPT-SR
	14	1.46 [37.1]	.900 [22.86]	1.300 [33.02]	30µ IN sel gold	CA-14HM-1F	CA-14HM-1F-S	CA-14HM-1F-SR
					15µ IN sel gold	CA-14HM-1C	CA-14HM-1C-S	CA-14HM-1C-SR
	16	1.56 [39.6]	1.000 [25.40]	1.400 [35.56]	30µ IN sel gold	CA-16HM-1F	CA-16HM-1F-S	CA-16HM-1F-SR
					15µ IN sel gold	CA-16HM-1C	CA-16HM-1C-S	CA-16HM-1C-SR
	20	1.76 [44.7]	1.200 [30.48]	1.600 [40.64]	30µ IN sel gold	CA-20HM-1F	CA-20HM-1F-S	CA-20HM-1F-SR
					15µ IN sel gold	CA-20HM-1C	CA-20HM-1C-S	CA-20HM-1C-SR
	26	2.06 [52.3]	1.500 [38.10]	1.900 [48.26]	30µ IN sel gold	CA-26HM-1F	CA-26HM-1F-S	CA-26HM-1F-SR
					15µ IN sel gold	CA-26HM-1C	CA-26HM-1C-S	CA-26HM-1C-SR
	34	2.46 [62.5]	1.900 [48.26]	2.300 [58.42]	30µ IN sel gold	CA-34HM-1F	CA-34HM-1F-S	CA-34HM-1F-SR
					15µ IN sel gold	CA-34HM-1C	CA-34HM-1C-S	CA-34HM-1C-SR
	40	2.76 [70.1]	2.200 [55.88]	2.600 [66.04]	30µ IN sel gold	CA-40HM-1F	CA-40HM-1F-S	CA-40HM-1F-SR
					15µ IN sel gold	CA-40HM-1C	CA-40HM-1C-S	CA-40HM-1C-SR
	50	3.26 [82.8]	2.700 [68.58]	3.100 [78.74]	30µ IN sel gold	CA-50HM-1F	CA-50HM-1F-S	CA-50HM-1F-SR
					15µ IN sel gold	CA-50HM-1C	CA-50HM-1C-S	CA-50HM-1C-SR
	60	3.76 [95.5]	3.200 [81.28]	3.600 [91.44]	30µ IN sel gold	CA-60HM-1F	CA-60HM-1F-S	CA-60HM-1F-SR
					15µ IN sel gold	CA-60HM-1C	CA-60HM-1C-S	CA-60HM-1C-SR

* No Polarizing Slot

