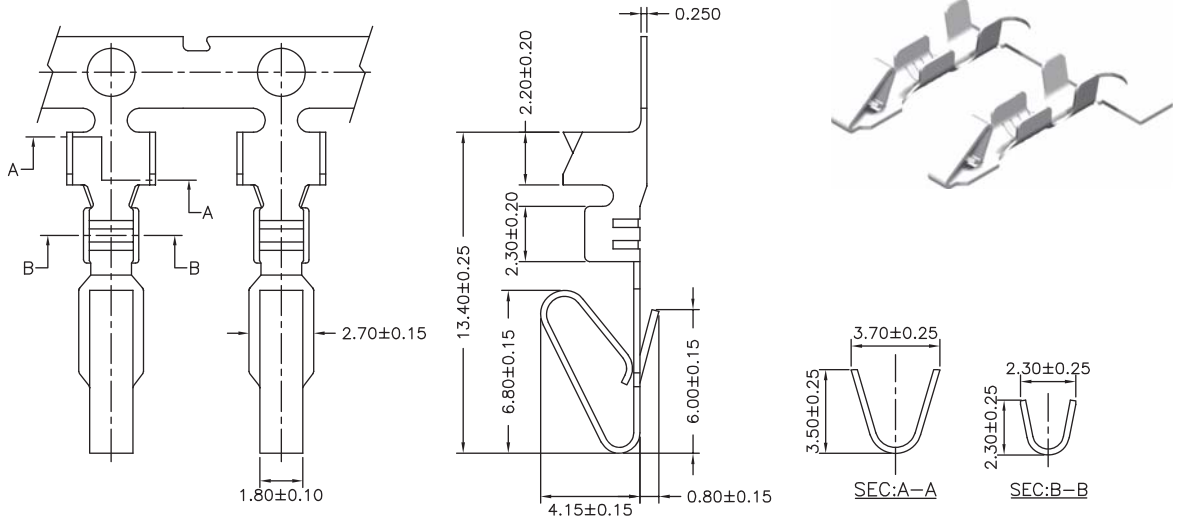


3.96mm Terminal / Housing



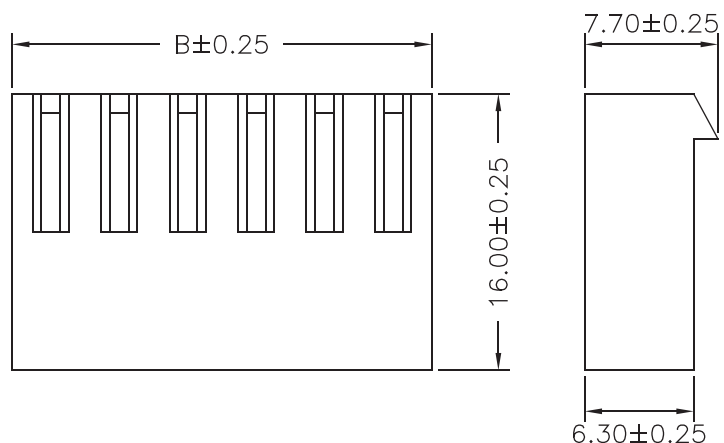
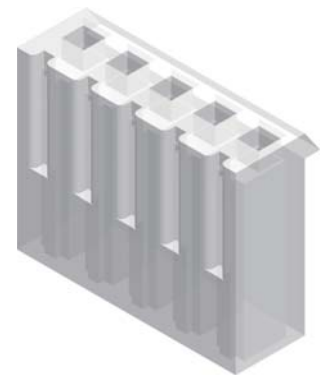
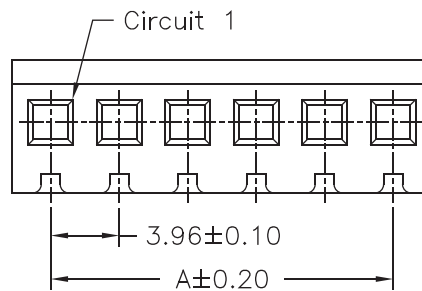
Part No.:3961-T-L

Part No.	Wire Range	Insulation O.D.	Material	Finish
3961-TTB-L	AWG#18-#24	2.80mm(max)	Brass	Tin Plated
3961-TGB-L	AWG#18-#24	2.80mm(max)	Brass	Gold Plated

Specifications

Current Rating: 7A AC,DC
 Voltage Rating: 250V AC,DC
 Temperature Range: -25°C to +85°C
 Contact Resistance: 10mΩ Max
 Insulation Resistance: 1000MΩ Min
 Withstanding Voltage: 1500V AC/minute
 Material: Nylon 66,UL94V-2

Part No.	Dimensions	
	A	B
3961H-02W-L	3.96	8.43
3961H-03W-L	7.92	12.39
3961H-04W-L	11.88	16.35
3961H-05W-L	15.84	20.31
3691H-06W-L	19.80	24.27
3961H-07W-L	23.76	28.23
3961H-08W-L	27.72	32.19
3961H-09W-L	31.68	36.15
3961H-10W-L	35.64	40.11
3961H-11W-L	39.60	44.07
3961H-12W-L	43.56	48.03
3961H-13W-L	47.52	51.99
3961H-14W-L	51.48	55.95
3961H-15W-L	55.44	59.91
3961H-16W-L	59.40	63.87
3961H-17W-L	63.36	67.83
3961H-18W-L	67.32	71.79
3961H-19W-L	71.28	75.75
3961H-20W-L	75.24	79.71



Part No.:3961H-XXW-L

Housing wafer Terminal



ROHS