

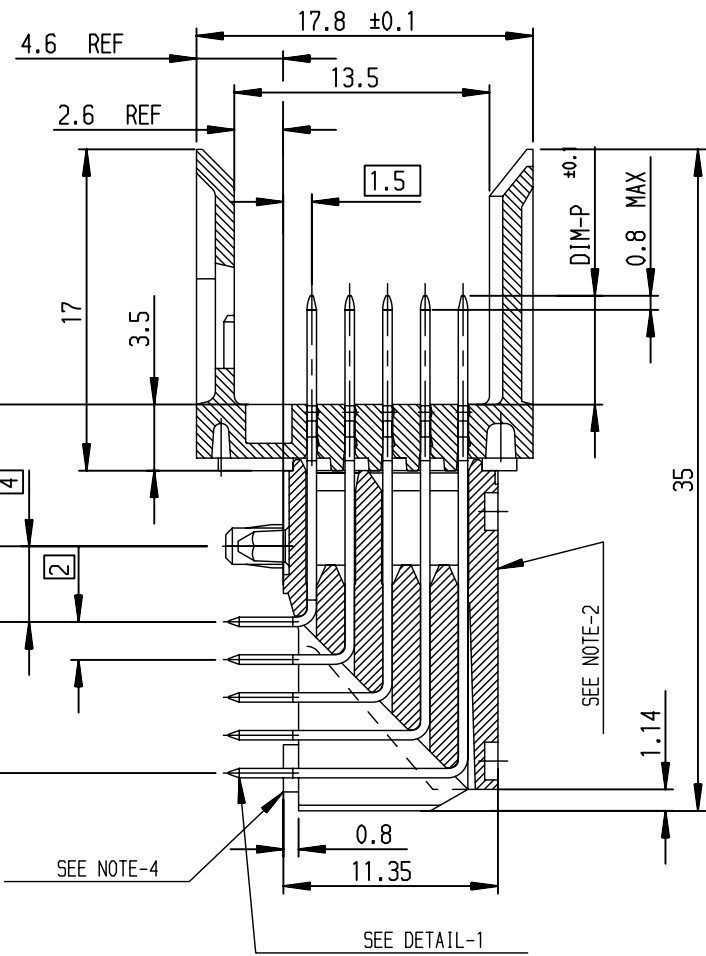
Hole according to product spec
 6S-12-445 (for press-fit) ,
 6S-12-446 (for 5TB)

TIN LEAD PART NUMBER

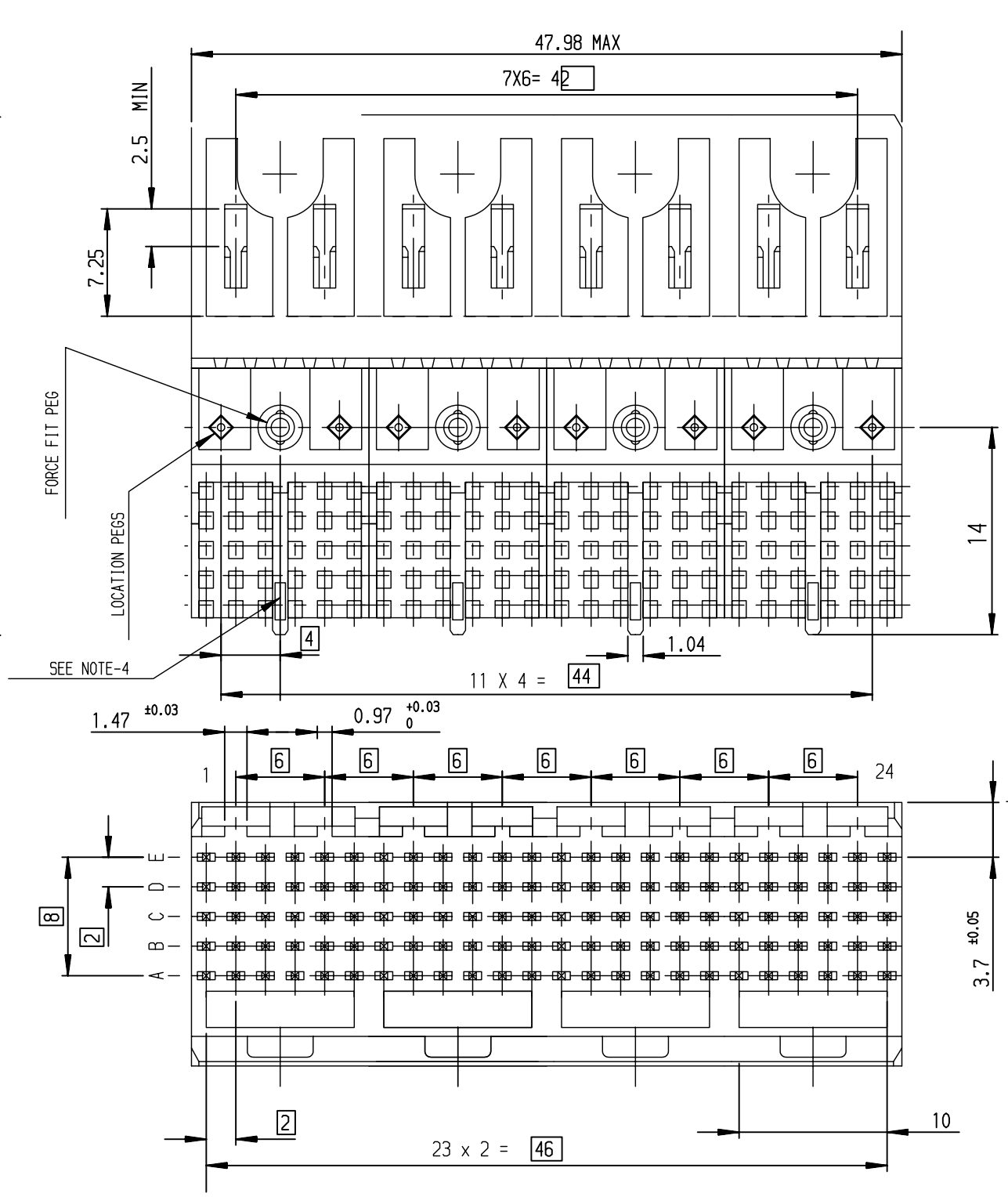
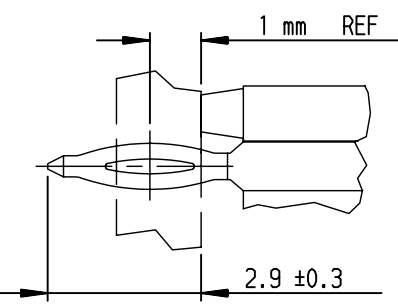
Part Number: HM1L53xDP000Hz					
MATING LENGTH DIM-P / REPLACE 'x' BY:					
	ROW-A	ROW-B	ROW-C	ROW-D	ROW-E
A =	5.00	5.00	5.00	5.00	5.00
L =	5.75	5.75	5.75	5.75	5.75
D =	6.50	6.50	6.50	6.50	6.50
B =	6.50	5.00	5.00	5.00	5.00
C =	6.50	5.75	5.75	6.50	5.75
M =	7.25	7.25	7.25	7.25	7.25
N =	8.00	8.00	8.00	8.00	8.00

LEAD FREE PART NUMBER

Part Number: HM1L53xDP000HzLF					
MATING LENGTH DIM-P / REPLACE 'x' BY:					
	ROW-A	ROW-B	ROW-C	ROW-D	ROW-E
A =	5.00	5.00	5.00	5.00	5.00
L =	5.75	5.75	5.75	5.75	5.75
D =	6.50	6.50	6.50	6.50	6.50
B =	6.50	5.00	5.00	5.00	5.00
C =	6.50	5.75	5.75	6.50	5.75
M =	7.25	7.25	7.25	7.25	7.25
N =	8.00	8.00	8.00	8.00	8.00



DETAIL-1: PRESS-FIT PIN



GENERAL CHARACTERISTICS AND ROHS INFORMATIONS:
 SEE PRODUCT SPECIFICATION 6S-12-445

rev	ecn no	dr	date
F	-	GOI	2004/10/14
G	LS05-004	MLE	2005/02/17
H	LS06-0095	LGO	2006/07/10
J	LS07-0184	MLE	2007/07/24
-	-	-	-
-	-	-	-
-	-	-	-

www.fciconnect.com		surface ISO 1302 ✓	tolerance std ISO 406 ISO 1101	projection mm
TOLERANCES UNLESS OTHERWISE SPECIFIED				size A3
Dr	CHAMPION	1997/10/28	ANGULAR	0.X ±0.1
Eng	LENOIR	1997/10/28	LINEAR	0.XX ±0.1
Chr	LEGARE	1997/10/28	0.XX' ±2'	0.XXX ±0.1
Appr	LEGARE	1997/10/28	Product family	METRAL
Title METRAL RA HEADER 5 ROW STANDARD PRESS-FIT 120 WAY			dwg no C-8626-0237	Rev. J
catalog no			CUSTOMER	sheet 1 of 1

NOTE-2: FLAT ROCK INSERTION TOOLING, ON ALL THIS SURFACE
 NOTE-3: EYE OF THE NEEDLE PRESS FIT PIN TYPE
 NOTE-4: REAR CENTRAL SUPPORT FOR BETTER ASSY ON PCB
 NOTE-5: IF SUFFIX "P" IS ADDED IN P/N PACKAGING IS IN TRAYS
 BUT CONNECTOR MARKING IS WITHOUT "P"
 EXAMPLE: HM1XXXXXXXXH6P, MARKED HM1XXXXXXXXH6

Copyright FCI. FCI