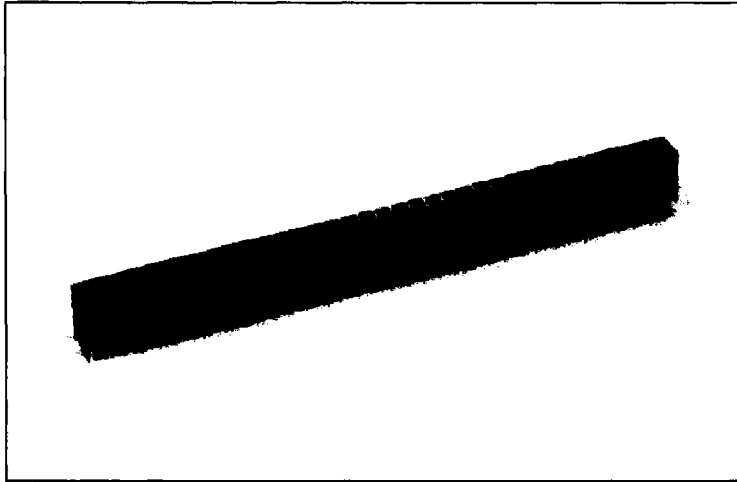


RECEPTACLES



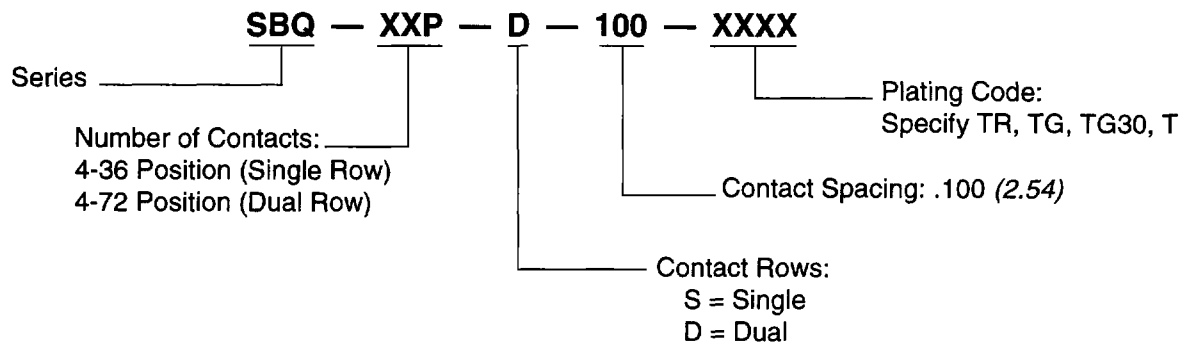
.025" Square Post

SBQ Series



- Socket designed to mate to dual row .025" square post NSH series
- 4-36 position single row and 4-72 dual position available
- Available with ROBEX®, better than gold plating option
- Excellent connector for Add-on cards to upgrade system

How to Order SBQ Series



Materials:

Body: Black thermoplastic, glass-filled
Contacts: Phosphor Bronze

Ratings:

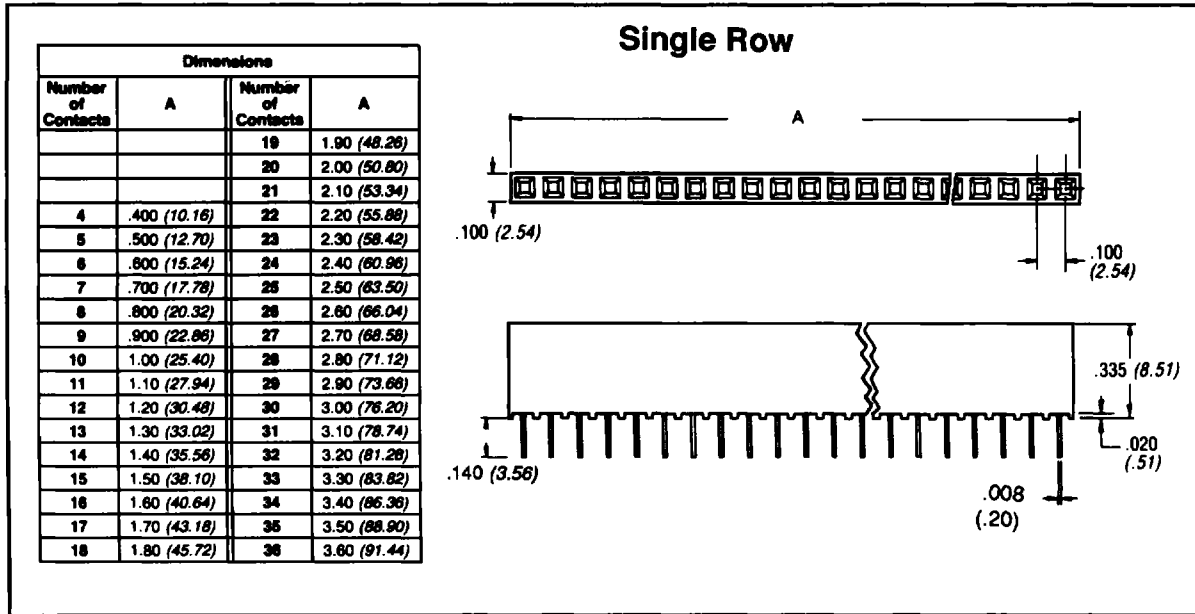
Temperature Range: -65°C to + 105°C
Flammability: UL-94V-0
Current Rating: 1 Ampere

Plating Description:

Suffix: **TR** = ROBEX® [7 μinch (.178 μm) minimum Palladium Nickel with 3 μinch (.076 μm) minimum Gold flash] on contact point.
100 μinch (2.54 μm) minimum Tin/Lead on terminal area.
TG = 10 μinch (.254 μm) minimum Gold on contact area.
100 μinch (2.54 μm) minimum Tin/Lead on terminal area.

TG30 = 30 μinch (.762 μm) minimum Gold on contact area.
100 μinch (2.54 μm) minimum Tin/Lead on terminal area.
T = 100 μinch (2.54 μm) minimum Tin overall.

All options include an underplate of 50 μinch (1.27 μm) minimum Nickel.



NOTE: First point of contact .085 (2.16) from top of insulator.

