

Rochester Electronics Manufactured Components

Rochester branded components are manufactured using either die/wafers purchased from the original suppliers or Rochester wafers recreated from the original IP. All recreations are done with the approval of the OCM.

Parts are tested using original factory test programs or Rochester developed test solutions to guarantee product meets or exceed the OCM data sheet.

Quality Overview

- ISO-9001
- AS9120 certification
- Qualified Manufacturers List (QML) MIL-PRF-35835
 - Class Q Military
 - Class V Space Level
- Qualified Suppliers List of Distributors (QSLD)
 - Rochester is a critical supplier to DLA and meets all industry and DLA standards.

Rochester Electronics, LLC is committed to supplying products that satisfy customer expectations for quality and are equal to those originally supplied by industry manufacturers.

The original manufacturer's datasheet accompanying this document reflects the performance and specifications of the Rochester manufactured version of this device. Rochester Electronics guarantees the performance of its semiconductor products to the original OEM specifications. 'Typical' values are for reference purposes only. Certain minimum or maximum ratings may be based on product characterization, design, simulation, or sample testing.

February 1994

Multilevel Pipeline Registers

Features

- Four 8-Bit Registers
- Hold, Transfer and Load Instructions
- Single 4-Stage or Dual-2 Stage Pipelining
- All Register Contents Available at Output
- Fully TTL Compatible
- Three-State Outputs
- High Speed, Low Power CMOS

Applications

- Array Processor
- Digital Signal Processor
- A/D Buffer
- Telecommunication
- Byte Wide Shift Register
- Mainframe Computers

Ordering Information

PART NUMBER	TEMPERATURE RANGE	PACKAGE
HSP9520CP	0°C to +70°C	24 Lead Plastic DIP
HSP9520CS	0°C to +70°C	24 Lead SOIC
HSP9521CP	0°C to +70°C	24 Lead Plastic DIP
HSP9521CS	0°C to +70°C	24 Lead SOIC

Description

These devices are multilevel pipeline registers implemented using a low power CMOS process. They are pin for pin compatible replacements for industry standard multilevel pipeline registers such as the L29C520 and L29C521. The HSP9520 and HSP9521 are direct replacements for the AM29520 and AM29521 and WS59520 and WS59521.

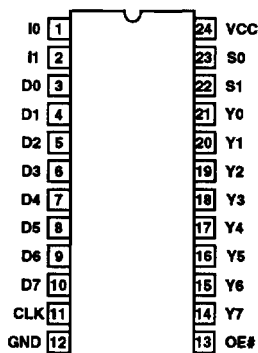
They consist of four 8-bit registers which are dual ported. They can be configured as a single four level pipeline or a dual two level pipeline. A single 8-bit input is provided, and the pipelining configuration is determined by the instruction code input to the I0 and I1 inputs (see instruction control).

The contents of any of the four registers is selectable at the multiplexed outputs through the use of the S0 and S1 multiplexer control inputs (see register select). The output is 8-bits wide and is three-stated through the use of the OE# input.

The HSP9520 and HSP9521 differ only in the way data is loaded into and between the registers in dual two-level operation. In the HSP9520 when data is loaded into the first level the existing data in the first level is moved to the second level. In the HSP9521 loading the first level simply causes the current data to be overwritten. Transfer of data to the second level is achieved using the single four level mode (I1, I0 = '0'). This instruction also causes the first level to be loaded. The HOLD instruction (I1, I0 = '1') provides a means of holding the contents of all registers.

Pinout

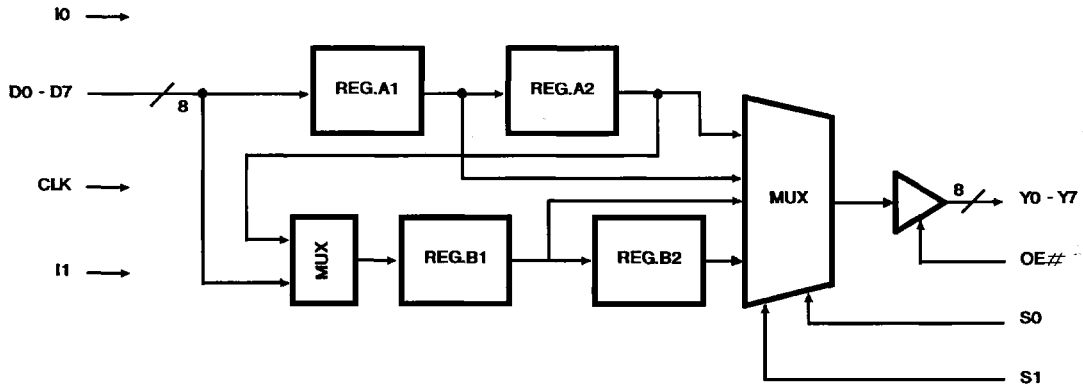
HSP9520, HSP9521 (24 PIN SOIC, NPDIP)
TOP VIEW



CAUTION: These devices are sensitive to electrostatic discharge. Users should follow proper I.C. Handling Procedures.
Copyright © Harris Corporation 1994

File Number 2811.4

Block Diagram



Pin Descriptions

NAME	DIP PIN	TYPE	DESCRIPTION
VCC	24		The +5V power supply pin. A 0.1µF capacitor between the VCC and GND pin is recommended.
GND	12		The device ground.
CLK	11	I	Input Clock. Data is latched on the low to high transition of this clock signal. Input setup and hold times with respect to the clock must be met for proper operation.
D0-7	3-10	I	Data Input Port. These inputs are used to supply the 8 bits of data which will be latched into the selected register on the next rising clock edge.
Y0-7	21-14	O	Data Output Port. This 8-bit port provides the output data from the four internal registers. They are provided in a multiplexed fashion, and are controlled via the multiplexer control inputs (S0 and S1).
I0, I1	1, 2	I	Instruction Control Inputs. These inputs are used to provide the instruction code which determines the internal register pipeline configuration. Refer to the Instruction Control Table for the specific codes and their associated configurations.
S0, S1	23, 22	I	Multiplexer Control Inputs. These inputs select which of the four internal registers' contents will be available at the output port. Refer to the Register Select Table for the codes to select each register.
OE#	13	I	Output Enable. This input controls the state of the output port (Y0-Y7). A LOW on this control line enables the port for output. When OE# is HIGH, the output drivers are in the high impedance state. Internal latching or transfer of data is not affected by this pin.

7

SPECIAL
FUNCTION

Specifications HSP9520/HSP9521

Absolute Maximum Ratings

Supply Voltage	+8.0V
Input or Output Voltage Applied	GND -0.5V to $V_{CC} + 0.5V$
Storage Temperature Range	-65°C to +150°C
Junction Temperature	+150°C
Lead Temperature (Soldering, Ten Seconds)	+300°C

Operating Conditions

Operating Voltage Range	+4.75V to +5.25V
Operating Temperature Range	0°C to +70°C
Reliability Information	
θ_{ja}	51.4°C/W (DIP), 77.0W/°C (SOIC)
θ_{jc}	22.3°C/W (DIP), 23.2W/°C (SOIC)
Maximum Package Power Dissipation	1.5W (DIP), 1.0W (SOIC)

D.C. Electrical Specifications ($V_{CC} = 5.0V \pm 5\%$, $T_A = 0^\circ C$ to $+70^\circ C$)

PARAMETER	SYMBOL	MIN	MAX	UNITS	TEST CONDITIONS
Logical One Input Voltage	V_{IH}	2.0	-	V	$V_{CC} = 5.25V$
Logical Zero Input Voltage	V_{IL}	-	0.8	V	$V_{CC} = 4.75V$
Output HIGH Voltage	V_{OH}	2.4	-	V	$I_{OH} = -6.5mA$, $V_{CC} = 4.75V$
Output LOW Voltage	V_{OL}	-	0.5	V	$I_{OL} = +20.0mA$, $V_{CC} = 4.75V$
Input Leakage Current	I_I	-10	10	μA	$V_{IN} = V_{CC}$ or GND, $V_{CC} = 5.25V$
Output Leakage Current	I_O	-10	10	μA	$V_{OUT} = V_{CC}$ or GND $V_{CC} = 5.25V$
Standby Power Supply Current	I_{CCSB}	-	500	μA	$V_{IN} = V_{CC}$ or GND $V_{CC} = 5.25V$ Outputs Open
Operating Power Supply Current	I_{CCOP}	-	12	mA	$f = 5.0MHz$, $V_{IN} = V_{CC}$ or GND $V_{CC} = 5.25V$, Outputs Open, Note 1

Capacitance ($T_A = +25^\circ C$, Note 3)

PARAMETER	SYMBOL	MIN	MAX	UNITS	TEST CONDITIONS
Input Capacitance	C_{IN}	-	12	pF	FREQ = 1 MHz, $V_{CC} =$ Open, all measurements are referenced to device ground.
Output Capacitance	C_O	-	12	pF	

A.C. Electrical Specifications ($V_{CC} = 5.0V \pm 5\%$, $T_A = 0^\circ C$ to $+70^\circ C$, Note 2)

PARAMETER	SYMBOL	MIN	MAX	UNITS	TEST CONDITIONS (Note 2)
Clock to Data Out	T_{PD}	-	21	ns	
Mux Select to Data Out	T_{SELD}	-	20	ns	
Input Setup Time (D0-7/I0-7)	T_S	10	-	ns	
Input Hold Time (D0-7/I0-7)	T_H	3	-	ns	
Output Enable Time	T_{ENA}	-	20	ns	
Output Disable Time	T_{DIS}	-	13	ns	Note 3
Clock Pulse Width	T_{PW}	10	-	ns	

NOTES:

- Power supply current is proportional to frequency. Typical rating for I_{CCOP} is 2.4mA/MHz.
- A.C. Testing is performed as follows: Input levels: 0V and 3.0V, Timing reference levels = 1.5V, Input rise and fall times driven at 1ns/V, Output load $C_L = 40pF$.
- Controlled by design or process parameters and not directly tested. Characterized upon initial design and after major design and/or process changes.

Timing Waveform

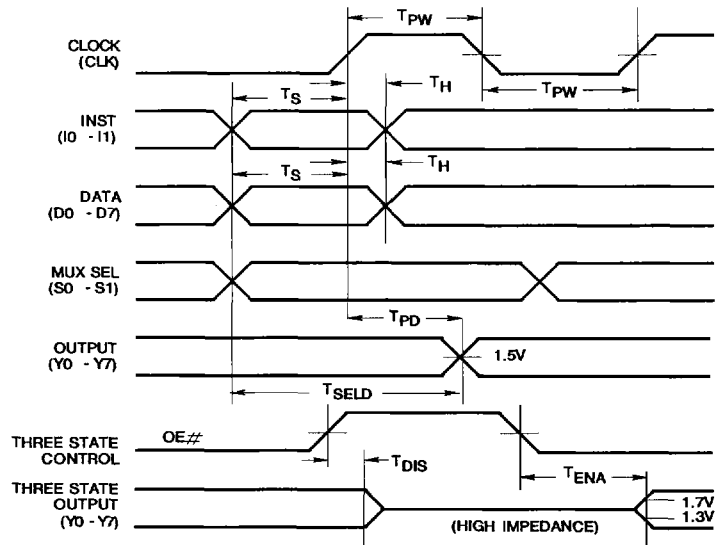


TABLE 1. INSTRUCTION CONTROL

I1	I0	'9520	'9521
0	0		
0	1		
1	0		
1	1	ALL REGISTERS HOLD	ALL REGISTERS HOLD

TABLE 2. REGISTER SELECT

S1	S0	'9520 OR '9521
0	0	B2
0	1	B1
1	0	A2
1	1	A1

7

SPECIAL
FUNCTION