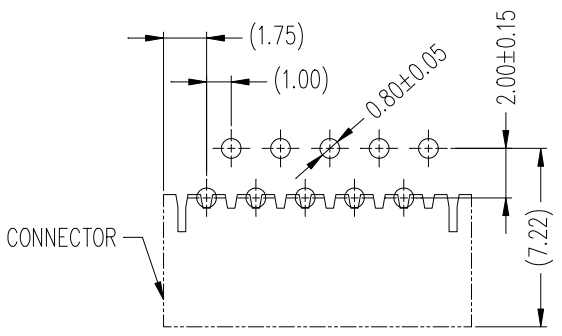
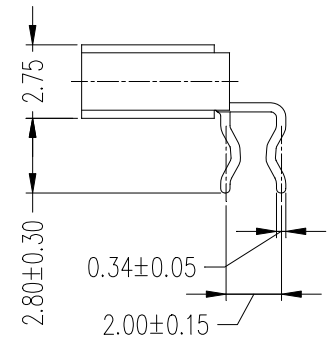
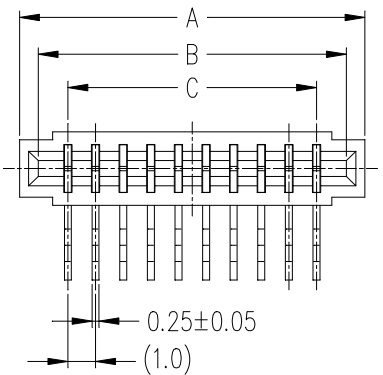
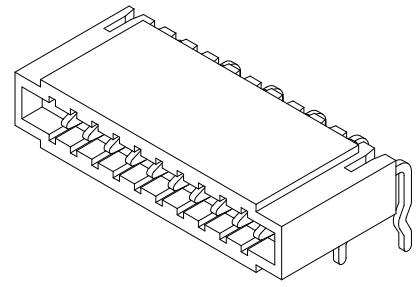
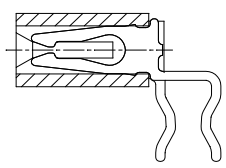
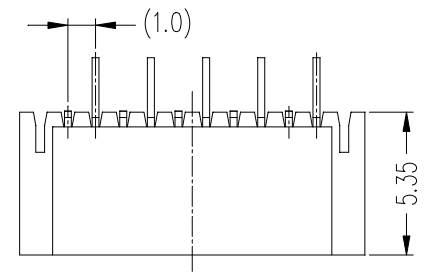
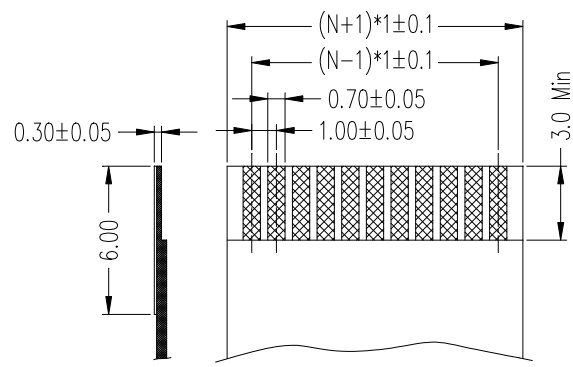


1 2 3 4 5 6 7 8 9 0

J  
I  
H  
G  
F  
E  
D  
C  
B  
A



(RECOMMENDED PCB LAYOUT)



N=NUMBER OF CONTACTS  
(APPLICABLE FPC/FFC)

PERFORMANCE CHARACTERISTICS

Operating Voltage:	50 VAC Max.
Current Rating:	0.5 Amp Max.
Contact Resistance:	30 mΩ Max.
Insulation Resistance:	500 MΩ Min.
Dielectric Withstanding Voltage:	500 VAC RMS.
Operating Temperature:	-40°C TO +85°C
Accommodated FFC/FPC Thickness:	0.25~0.35mm

MATERIAL

Insulator:	Glass Reinforced Thermoplastic UL94V-0 Rated
Insulator Color:	Black
Terminal:	Phosphor Bronze
Plating:	Tin Alloy plated

TABLE OF DIM.

POS.	A±0.20	B±0.10	C±0.15	POS.	A±0.20	B±0.10	C±0.15
4	6.50	5.05	3.00	20	22.50	21.05	19.00
5	7.50	6.05	4.00	21	23.50	22.05	20.00
6	8.50	7.05	5.00	22	24.50	23.05	21.00
7	9.50	8.05	6.00	23	25.50	24.05	22.00
8	10.50	9.05	7.00	24	26.50	25.05	23.00
9	11.50	10.05	8.00	25	27.50	26.05	24.00
10	12.50	11.05	9.00	26	28.50	27.05	25.00
11	13.50	12.05	10.00	27	29.50	28.05	26.00
12	14.50	13.05	11.00	28	30.50	29.05	27.00
13	15.50	14.05	12.00	29	31.50	30.05	28.00
14	16.50	15.05	13.00	30	32.50	31.05	29.00
15	17.50	16.05	14.00	31	33.50	32.05	30.00
16	18.50	17.05	15.00	32	34.50	33.05	31.00
17	19.50	18.05	16.00	33	35.50	34.05	32.00
18	20.50	19.05	17.00	34	36.50	35.05	33.00
19	21.50	20.05	18.00				



PART NO. FPA-RL2L-xx

DWG NO. FPA-RL2L-xx

FILE NO.

UNIT / mm

SCALE 1:1

APPROVED BY CY

DRAWING BY

PROJECTION

TOLERANCES ARE  
X ±0.35  
.XX ±0.20  
.XXX ±0.XX  
AWG

DESCRIPTION:	1.0 NONZIF FPC CONNECTOR SIDE ENTRY DOUBLE CONTACT DIP TYPE.			
	AREA	REVISIONS	HK	DATE

煜倫有限公司