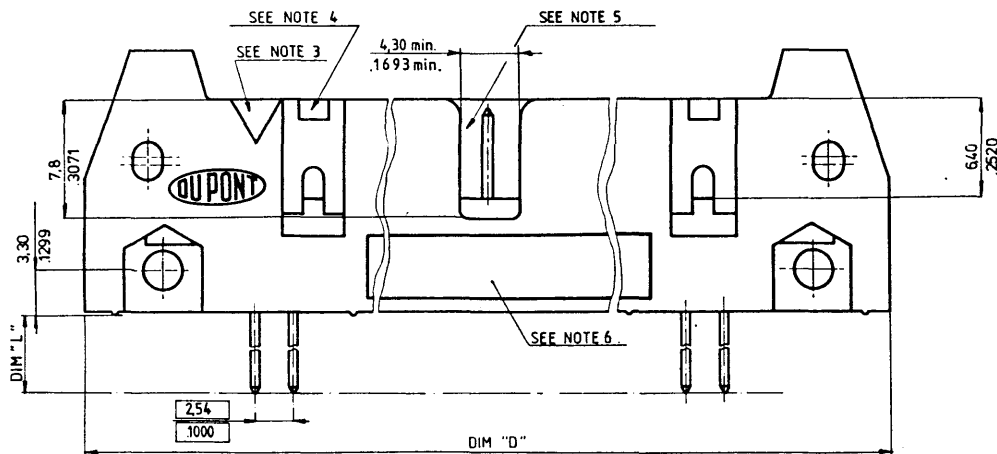
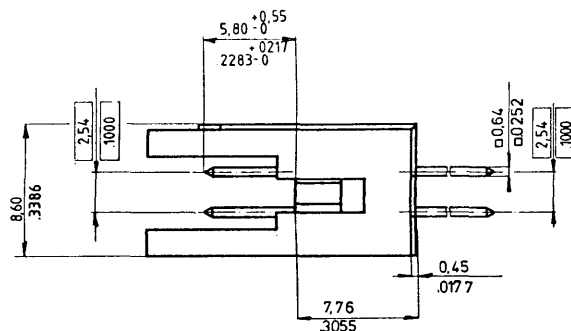
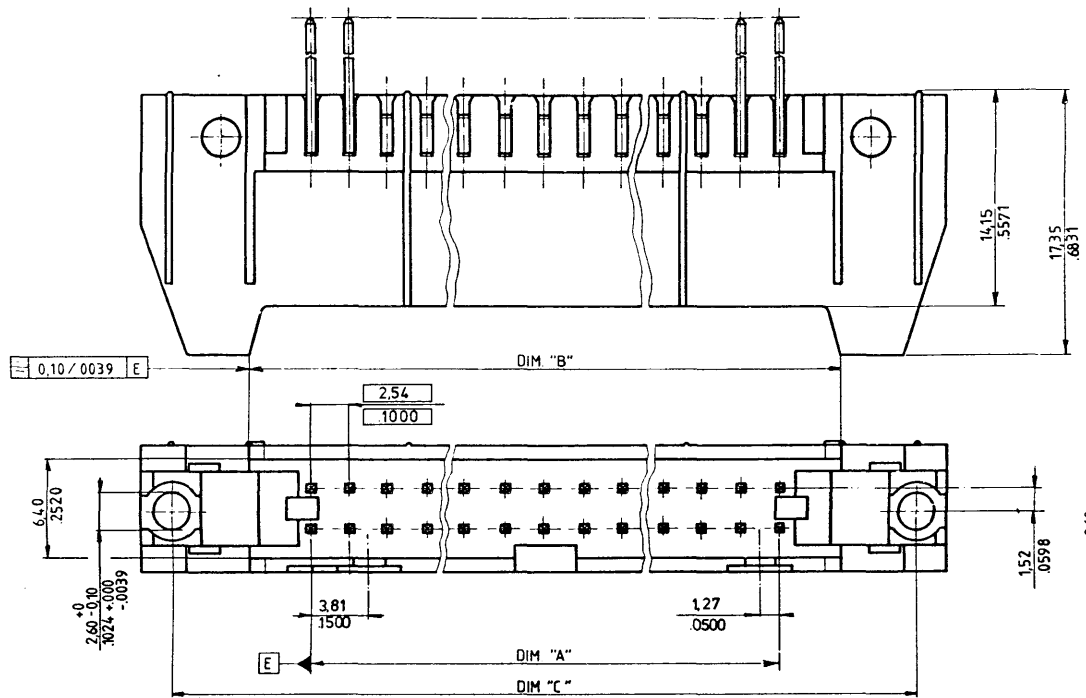


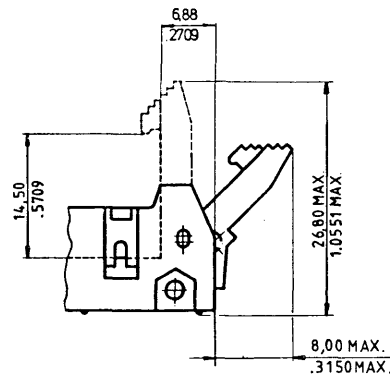
reqd	pos	next assy	dwg no



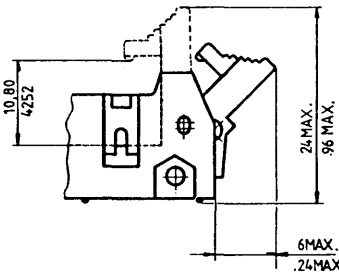
CUSTOMER COPY FOR REFERENCE ONLY

Surface ISO 1302 ✓	Tolerance ISO R 406 ISO R 1101	mm inch scale 5:1	Material code SEE NOTE 1
			Finish SEE NOTE 2
		Stamp part no / rev ltr in area indicated by X	Heat treat
		Date	Name
		dr 86.05.06	MAA/KENS.
		chr	
J 10891	89 07 21	PGR	add
F 10700	87 07 0	GPE	
E 764	87 02 15	ALC	
O 1154	86 09 12	LNA	
C 6758	86 05 14	LNA	
ltr	recp no	date	dr
			supds by
			supersedes
			release no 2643
			title EURO QUICKIE LOCK AND EJECT HEADER STRAIGHT
			dwg no 77340
			rev ltr J
			sheet 213
			1 of 2

PRODUCT-NR	N° OF POS.	DIM. "A"	DIM. "B"	DIM. "C"	DIM. "D"
77340 - X06	2 x 3	5,08 2000	13,15 5177	22,86 9000	26,92 10598
- X08	2 x 4	7,62 3000	15,69 6177	25,40 10000	29,46 11598
- X10	2 x 5	10,16 4000	18,23 7177	27,94 11000	32,00 12598
- X14	2 x 7	15,24 6000	23,31 9177	33,02 13000	37,08 14598
- X16	2 x 8	17,78 7000	25,85 10177	35,56 14000	39,62 15598
- X18	2 x 9	20,32 8000	28,39 11177	38,10 15000	42,16 16598
- X20	2 x 10	22,86 9000	30,93 12177	40,64 16000	44,70 17598
- X26	2 x 13	30,48 12000	38,55 15177	48,26 19000	52,32 20598
- X34	2 x 17	40,64 16000	48,71 19177	58,42 23000	62,48 24598
- X40	2 x 20	48,26 19000	56,33 22177	66,04 26000	70,10 27598
- X44	2 x 22	53,34 21000	61,41 24177	71,12 28000	76,18 29598
- X50	2 x 25	60,96 24000	69,03 27177	78,74 31000	82,80 32598
- X60	2 x 30	73,66 29000	81,73 32177	91,44 36000	95,50 37598
77340 - X64	2 x 32	78,74 31000	86,81 34177	96,52 38000	100,58 39598



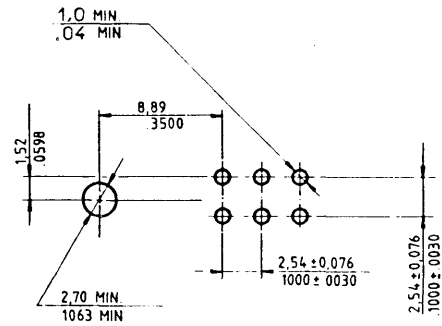
STANDARD LATCH



LOW PROFILE LATCH



PLATING CONTACT AREA  
SEE NOTE 2



RECOMMENDED HOLE PATTERN

NOTES:

- MATERIAL: HEADERBODY AND LATCH: 30% GLASS FILLED POLYESTER  
FLAME RETARDANT PER UL 94-V0  
COLOUR: GREY (RAL 7038 )  
PIN : PHOSPHOR BRONZE ALLOY UNS:C51000.
- PLATING: PIN PLATING 3,81 µm/150 µinch TIN/LEAD OVER  
1,27 µm/50 µinch NICKEL IN CONTACT AREA  
REMAINDER OF PIN 5 µm/200 µinch TIN/LEAD  
OVER 1,27 µm/50 µinch NICKEL
- TRIANGLE TO BE OPTIONAL.
- NO POLARIZING FEATURE AT THIS END FOR  
6-8-10 AND 14 POS. CONN.
- NO POLARIZING-SLOT ON 6 AND 8 POS CONN.
- THIS FEATURE DOES NOT EXIST ON PRODUCTS 2X3 THRU 2X17.

77340 -5YY		●			●
- 4YY		●		●	
- 3YY		●	●		
- 2YY	●				●
- 1YY	●		●	●	
77340 -0YY	●		●		
PRODUCT-CODE	2,90 .1142	4,50 .1772	WITHOUT LATCH	WITH STANDARD LATCH	WITH LOW PROFILE LATCH
	PINLENGTH DIM "L"		EJECTOR LATCH		

CUSTOMER COPY FOR REFERENCE ONLY

Surface (ISO 1302)	Tolerance (ISO R406 ISO R1101)	Scale inch mm	Part code
✓			SEE NOTE 1
			SEE NOTE 2
stamp part no / rev ltr in area indicated by X		heat treat	
date		name	
J 10891 89 07 21	PGR chr 86 05 06	LNAALUKENS.	
M 10728 87 12 07	CTR appd	1/200 26	
G 10706 87 08 26	GPE		
F 10701 87 07 10	GPE		
E 7441 71 05 19	APP		
D 1154 86 09 12	N/A		
ltr	ecp no	date	dr
supd by		supersedes	
title		EURO QUICKIE LOCK AND EJECT HEADER STRAIGHT	
part code		77340	
rev ltr		J	
sheet		2 of 2	
release no		2 8 1 2	