

# RECTANGULAR CONNECTORS

## FCN-670 SERIES (HIGH DENSITY TYPE)

### ■ FEATURES

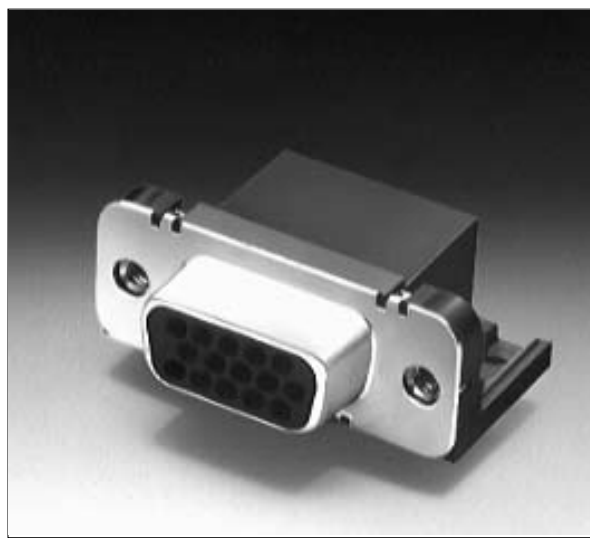
- Meets VGA interface.
- Mounting metal fittings (front metal fittings) are the same as for the conventional FCN-670 series.
- The connectors are based on FCN-670 series. Nuts for fastening the front metal fittings are buried in the body, which facilitate smoother installation of the connector on a panel.
- Shell of the connector is nickel-plated to shield against EMI.

### ■ SPECIFICATIONS

Item	Specification
Operating temperature range	-55°C to +105°C
Current rating	DC 3 A
Voltage rating	AC 250 V
Contact resistance	30 mΩ max. (DC 6 V, 0.1 A)
Insulation resistance	1,000 MΩ min. (DC 500 V)
Dielectric withstanding voltage	AC 500 V for 1 minute
Total insertion force	3.6 kg max.
Total withdrawal force	0.45 kg min.

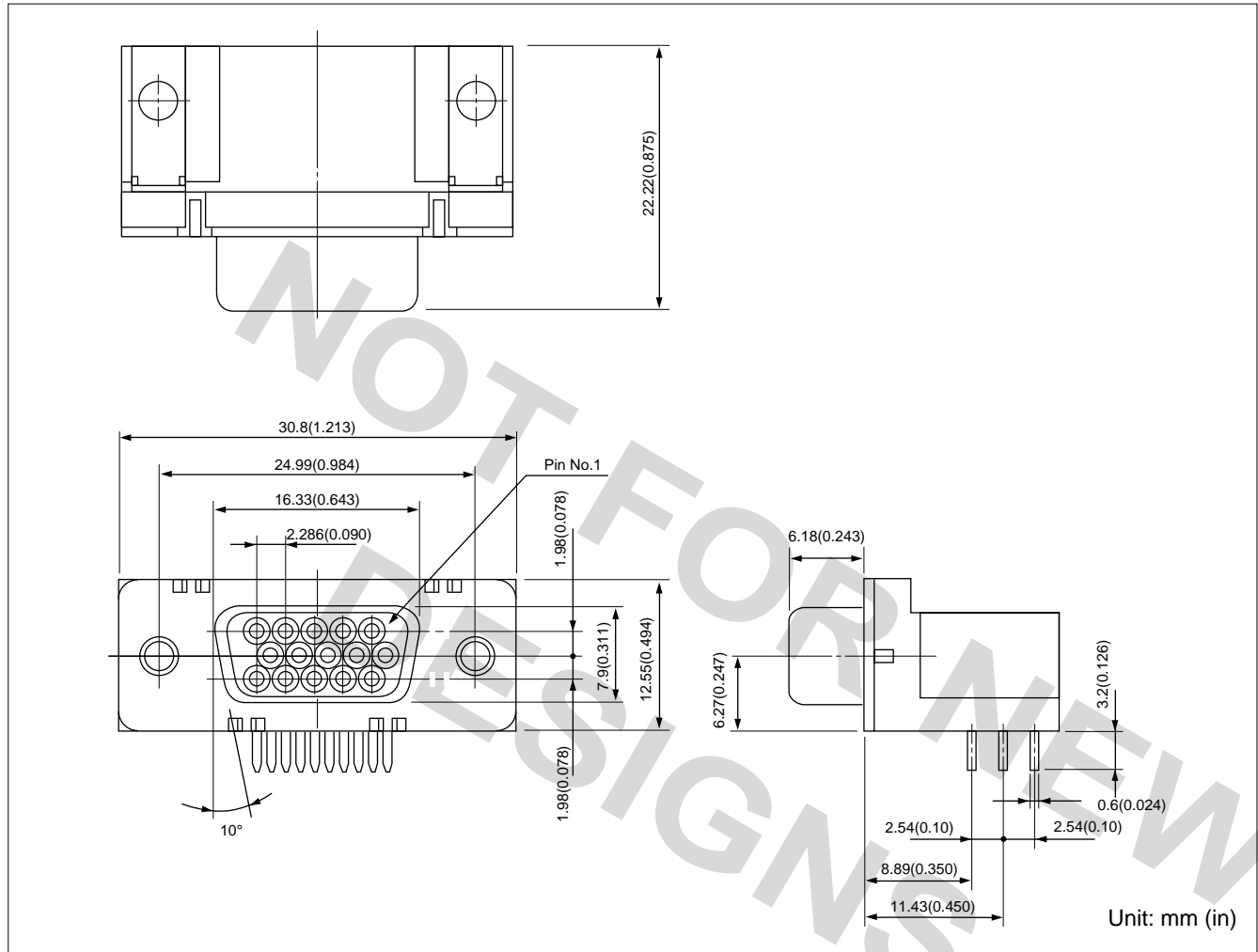
### ■ MATERIALS

Item	Material	
Insulator	Polyester (UL94V-0)	
Conductor	Copper alloy	
Plating	Contacts	Gold plating
	Terminals	Palladium plating
Shell	Steel, nickel plating	

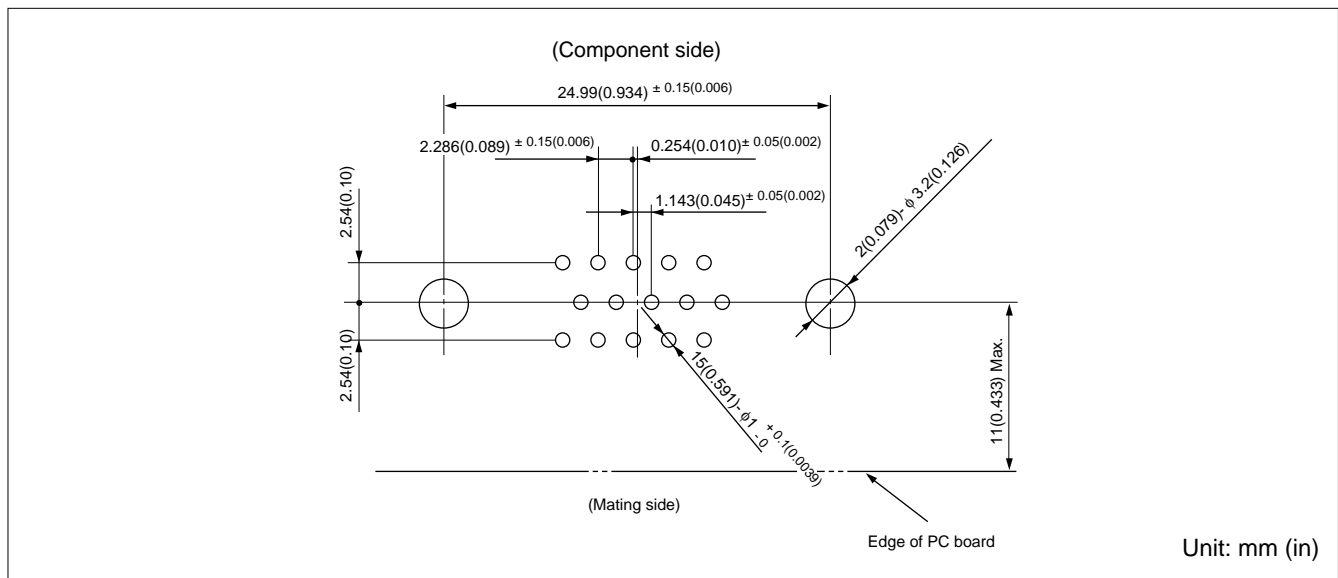


# FCN-670 Series (High Density Type)

## ■ DIMENSIONS



## ■ MOUNTING HOLE LAYOUT



# FCN-670 Series (High Density Type)

## ORDERING CODE

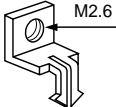

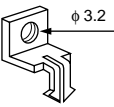
FCN-675J015-L/○M#□△

△: P, R, Q, 0

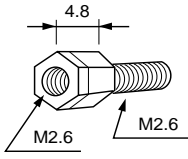
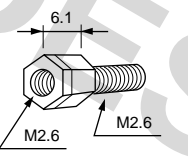
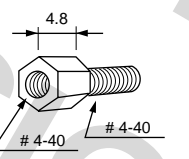
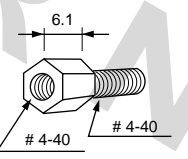
□: G, R, J, T, 0

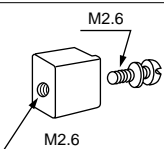
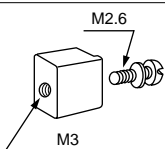
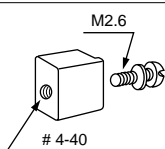
○: C, D, E

△: Specification of rear metal fitting (for reinforcement when mounting the connector on a PC board)

Code	P	R	Q	0
	Mounted with tails on PC board			
Sketch				No metal fitting

□: Specification of front metal fitting (for locking the mating cable plug)

Code	G	R	J	T	0
	Hexagonal-head metal fitting				
Sketch	 *Applicable panel thickness: 1.3 mm(0.051 in.)	 *Cannot be mounted on a panel.	 *Applicable panel thickness: 1.3 mm(0.051 in.)	 *Cannot be mounted on a panel.	No metal fitting

Code	A	B	C
	Square-head metal fitting		
Sketch	 *Cannot be mounted on a panel.	 *Cannot be mounted on a panel.	 *Cannot be mounted on a panel.

○: Types of nut buried

C: No nut buried

D: M2.6 nut buried

E: #4-40 nut buried

### Fujitsu Takamisawa International Headquarter Offices

[www.fujitsu.takamisawa.com](http://www.fujitsu.takamisawa.com)

#### Japan

Fujitsu Takamisawa Component Limited  
Global Marketing and Sales  
Gotanda-Chuo Building  
3-5, Higashigotanda 2-chome, Shinagawa-ku  
Tokyo 141, Japan  
Tel: (81-3) 5449-7010  
Fax: (81-3) 5449-2626

#### North and South America

Fujitsu Takamisawa America, Inc.  
250 E. Caribbean Drive  
Sunnyvale, CA 94089 U.S.A.  
Tel: (1-408) 745-4900  
Fax: (1-408) 745-4970

#### Europe

Fujitsu Takamisawa Europe B.V.  
Diamantlaan 25  
2132 WV Hoofddorp  
Netherlands  
Tel: (31-23) 5560910  
Fax: (31-23) 5560950

#### Asia Pacific

Fujitsu Takamisawa Asia Pacific Pte. Ltd.  
102E Pasir Panjang Road  
#04-01 Citilink Warehouse Complex  
Singapore 118529  
Tel: (65) 375-8560  
Fax: (65) 273-3021