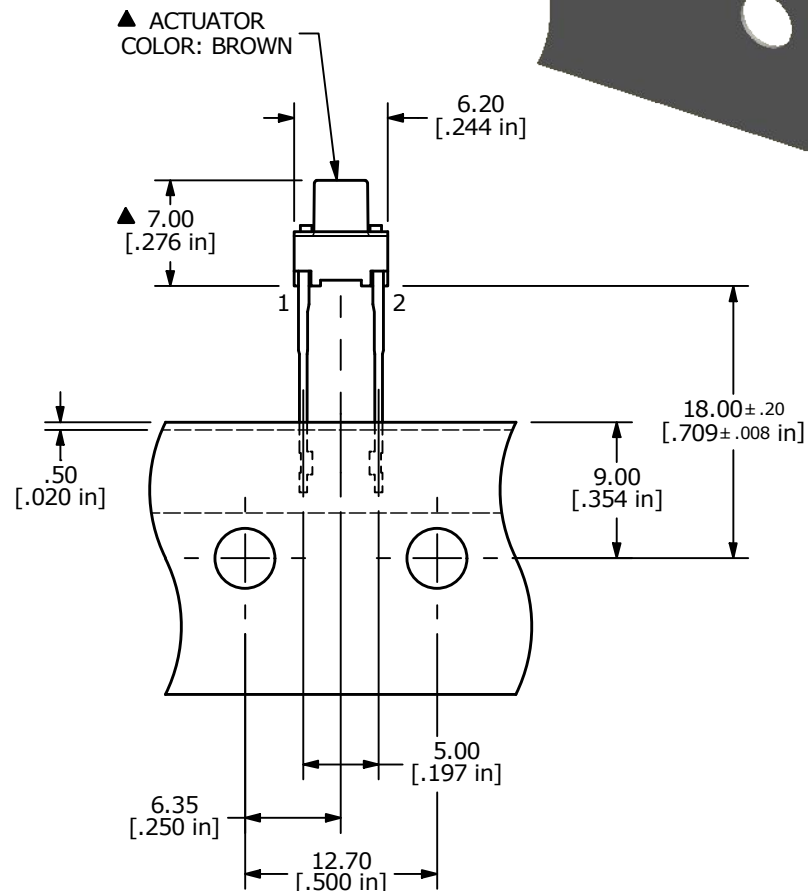
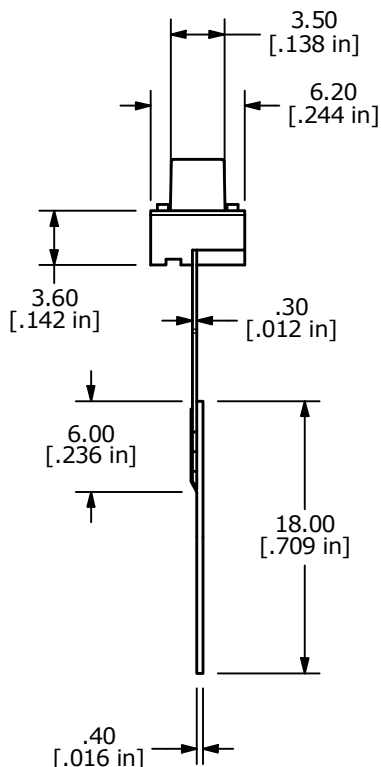
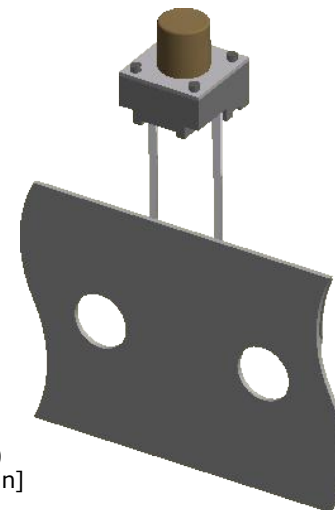
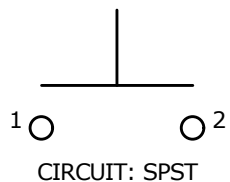


PC MOUNTING



- NOTES:
1. ALL DIMENSIONS IN MM [INCH]
 2. GENERAL TOLERANCE: X.X = ± 0.4mm
X.XX = ± 0.25mm
 3. CONTACT RATING: 50mA @ 12VDC
 - ▲ 4. CONTACT MATERIAL: SILVER
 5. OPERATING FORCE: 100 ± 30gf
 6. TRAVEL: 0.25 +0.2/-0.1mm
 7. CONTACT RESISTANCE: 100mΩ MAX.
 8. ELECTRICAL LIFE: 100,000 CYCLES
 9. PACKAGING: 1,000 PCS RADIAL
 10. ▲ DENOTES CRITICAL PARAMETERS.

REV	ECO NO	DESCRIPTION	DATE	BY
A	ECO-100383	Release	09/27/21	MW



OBJECT ID
100118713

TITLE TL59FF100Q

SCALE 2:1	DATE 9/27/2021	DR MW	DWG P010698	REV A
--------------	-------------------	----------	----------------	----------

THE INFORMATION CONTAINED IN THIS DOCUMENT IS PROPRIETARY TO E-SWITCH AND IS NOT TO BE COPIED OR TRANSFERRED