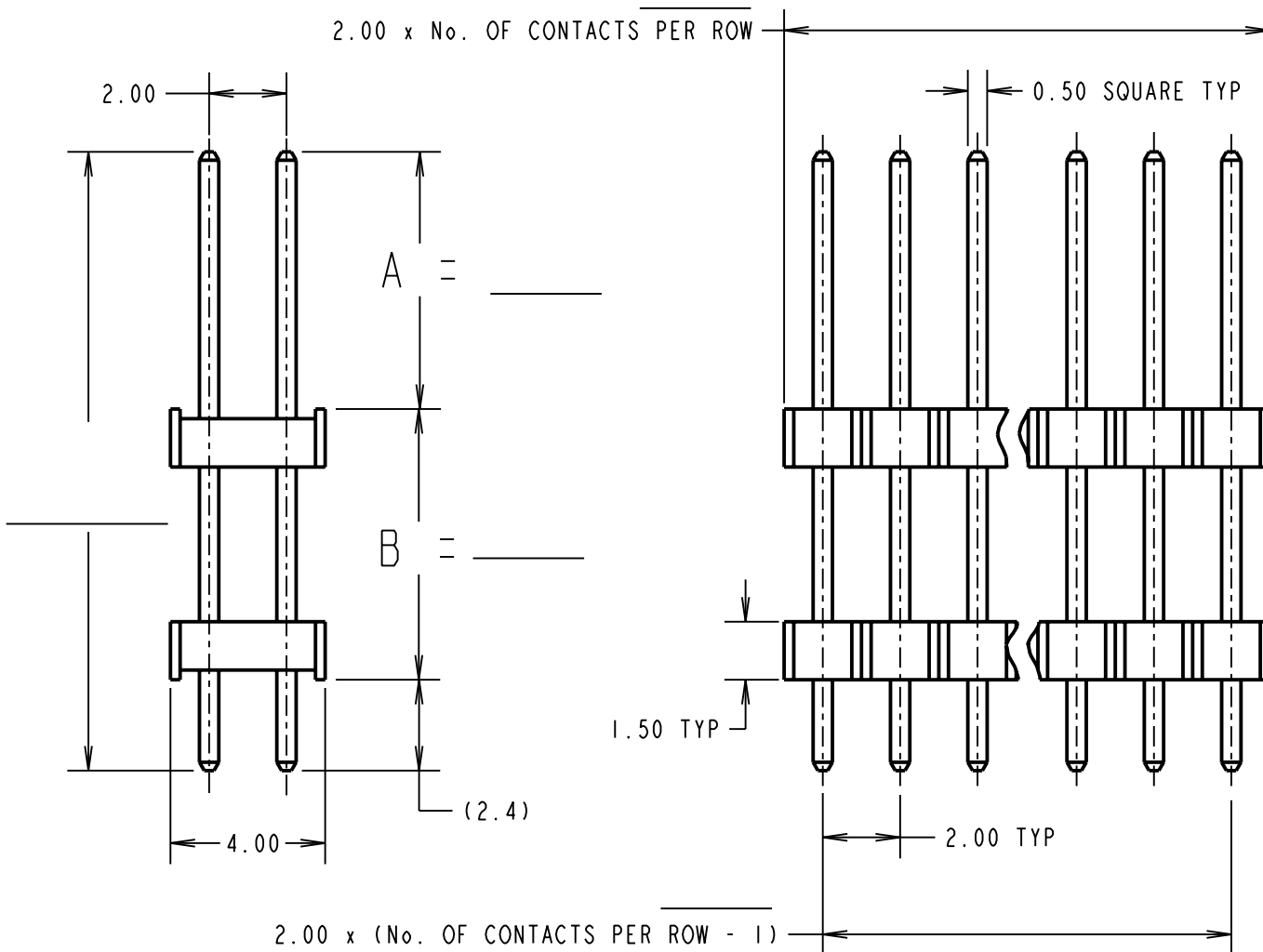


THIS SKETCH IS FOR QUOTATION PURPOSES ONLY

**FINISH**  
(TICK APPLICABLE):

- 100% TIN
- GOLD



- NOTES:
1. MAXIMUM PERMISSIBLE OUT OF SQUARE OF PIN TO MOULDING TO BE 0.10mm IN ANY DIRECTION.
  2. CONTACT LEG VARIATION ON COMPLETE ASSEMBLY NOT TO EXCEED 0.10mm.

**SPECIFICATION:**  
**MATERIAL:**  
 MOULDING = HIGH TEMPERATURE NYLON 6T, UL94V-0, BLACK  
 PINS = PHOSPHOR BRONZE  
**FINISH:**  
 PINS: SEE BOX  
**ELECTRICAL:**  
 CURRENT RATING = 1A MAX  
 CONTACT RESISTANCE = 30 mΩ MAX  
 INSULATION RESISTANCE = 100 MΩ MIN  
 DIELECTRIC STRENGTH = 650V AC/DC  
**ENVIRONMENTAL:**  
 TEMPERATURE RANGE = -40°C TO +105°C  
**PACKING:**  
 BAG

DATE OF SKETCH:

REQUESTED BY:

No. OF CONTACTS PER ROW:

**HARWIN**

HARWIN INC  
U.S.A.

HARWIN PLC  
U.K.

HARWIN PTE  
SINGAPORE

TEL: (812) 542 2540  
FAX: (812) 542 2541

TEL: 023 9231 4545  
FAX: 023 9231 4590

TEL: 65 6779 4909  
FAX: 65 6779 3868

THIS DRAWING AND ANY INFORMATION OR DESCRIPTIVE MATTER SET OUT HEREON ARE CONFIDENTIAL AND COPYRIGHT PROPERTY OF THE HARWIN GROUP AND MUST NOT BE DISCLOSED, LOANED, COPIED OR USED FOR MANUFACTURING, TENDERING OR FOR ANY OTHER PURPOSE WITHOUT THEIR WRITTEN PERMISSION.

**TOLERANCES**

- X. = ±1mm
- X.X = ±0.25mm
- X.XX = ±0.10mm
- X.XXX = ±0.01mm

ANGLES = ±5°  
UNLESS STATED

**TITLE:**

2.00mm PITCH DIL EXTENDED  
2.4mm PC TAIL PIN HEADER VARIANT

DRAWING No.:

M22 - \_\_\_\_\_ L \_\_\_\_\_

SHT  
1  
OF  
1