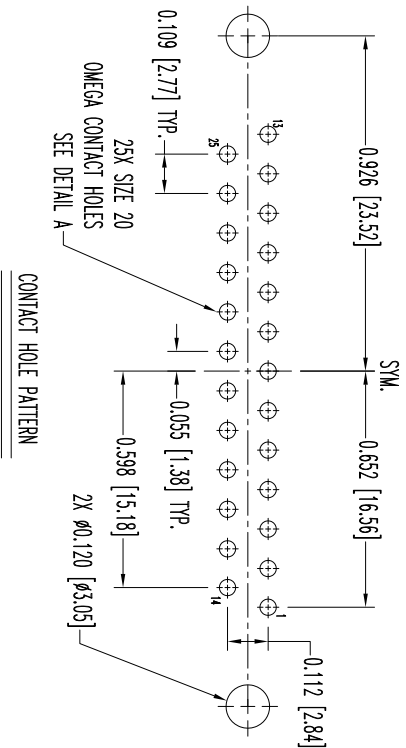
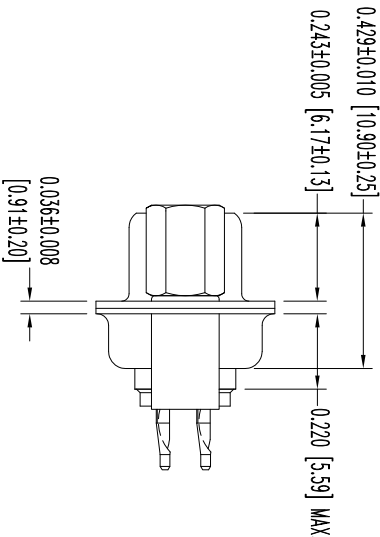
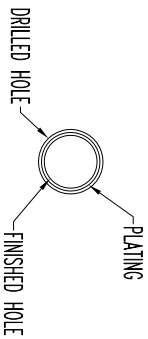
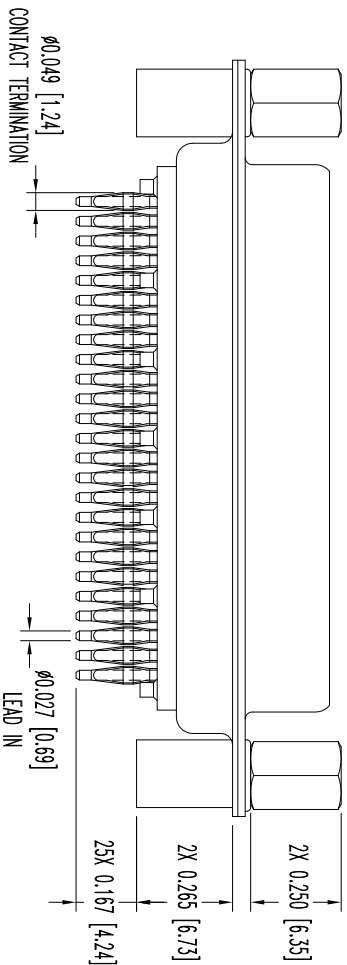
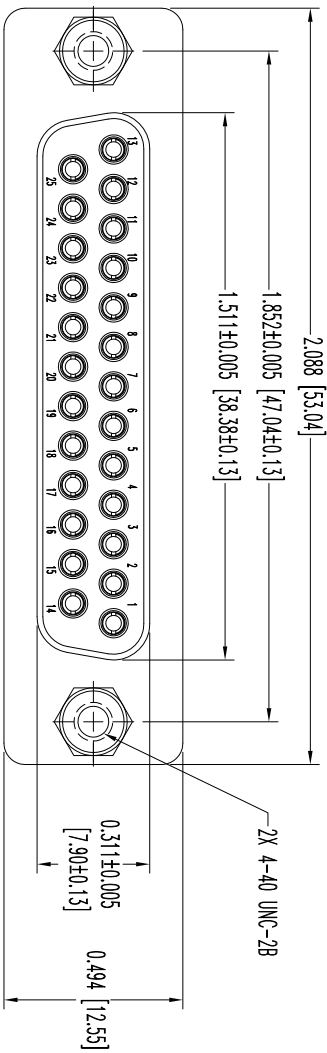


THIS DRAWING CONTAINS INFORMATION PROPRIETARY TO POSTTRONIC AND ITS SUBSIDIARIES. POSTTRONIC BELIEVES THE DATA ON THIS DRAWING TO BE RELIABLE, SINCE THE TECHNICAL STAFF HAS TAKEN REASONABLE PRECAUTIONS TO USE AND RISK. POSTTRONIC ASSUMES NO RESPONSIBILITY FOR SUCH INFORMATION IN WHOLE OR IN PART.



- NOTES:
1. MATERIALS AND FINISHES:
INSULATOR: GLASS FILLED PESTER PER ASTM D5927, UL 94V-0, COLOR: BLUE.
CONTACTS: PRECISION MACHINED COPPER ALLOY, GOLD FLASH OVER NICKEL.
SHELLS: STEEL, ZINC PLATE WITH CHROMATE SEAL.
MOUNTING SPACERS: STEEL, TIN PLATE.
 2. DETAILED PRODUCT, MECHANICAL, AND ELECTRICAL INFORMATION IS AVAILABLE IN THE LATEST COMPLIANT PRESS-FIT PRODUCT PUBLICATION.
VISIT CONNECTPOSTTRONIC.COM/PRODUCTS/60/COMPLIANTPRESS-FIT OR CONNECTPOSTTRONIC.COM.
 3. CONNECTOR IS COMPLIANT TO THE CURRENT ROHS DIRECTIVE.
 4. DIMENSIONS ARE IN INCHES [MILLIMETERS].

DATE	REV	REVISION/RECORD	APP	DR	CK
5-11-09	NC	ECO 31046	RCW	BS	COLM
12-10-12	A	ECO 37972	COLM	BE	COLM

SK10705

POSTTRONIC INDUSTRIES INC.
www.connectpositronic.com FSCM 28198

PCD SERIES
SCALE: N.T.S.
DRAWN BY: B SHELLBOY
APPROVED BY: R WILLIAMS

DATE: 5-11-09
DRAWING NUMBER: SK10705
REV: A

DECIMAL TOL. ± 0.015 [0.38]
ANGULAR TOL. ± 5°