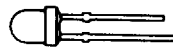


φ5丸型フレームタイプLED

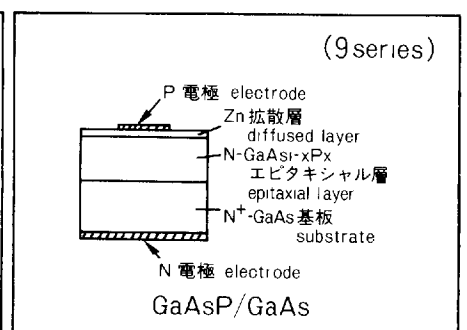
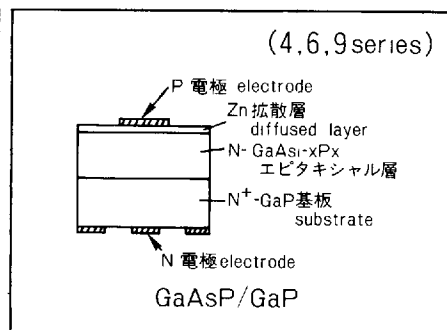
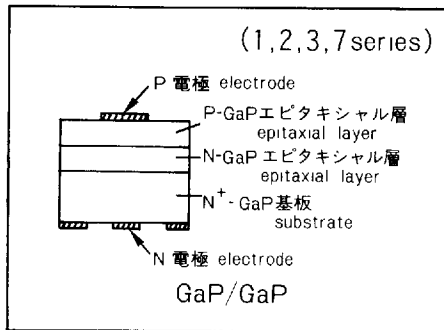


Lead Frame Type φ5 LEDs

Ta=25°C

機種名 Type No.	外觀図 Drawing No	波長 Peak Wave length nm (Color)	樹脂外觀 Lens Appearance	絶対最大定格 Absolute Maximum Ratings				電気的光学的特性 Electro Optical Characteristics				
				If	Vr	Pr	Topr	Vf Typ.	If	Luminous Typ	Intensity If	Ir Max
				mA	V	mW	°C	V	mA	mcd	mA	(Vr=3V) μA
SLP-180C-51	P-7	700 (R)	Colored Clear	25	3	70	-25~80	1.9	5	5	5	10
SLP-280C-51	P-7	565 (G)	Colored Clear	25	3	70	-25~80	2.1	20	17	20	10
SLP-480C-51	P-7	585 (Y)	Colored Clear	25	3	70	-25~80	2.1	20	50	20	10
SLP-980C-51	P-7	630 (U.R)	Colored Clear	25	3	70	-25~80	2.1	20	25	20	10
SLP-138C-51	P-8	700 (R)	Colored Clear	25	3	70	-25~80	1.9	5	10	5	10
SLP-238C-51	P-8	565 (G)	Colored Clear	25	3	70	-25~80	2.1	20	20	20	10
SLP-438C-51	P-8	585 (Y)	Colored Clear	25	3	70	-25~80	2.1	20	30	20	10
SLP-938C-51	P-8	630 (U.R)	Colored Clear	25	3	70	-25~80	2.1	20	50	20	10
SLP-136B-51	P-9	700 (R)	Color Diffused	25	3	70	-25~80	1.9	5	1.5	5	10
SLP-236B-51	P-9	565 (G)	Color Diffused	25	3	70	-25~80	2.1	20	5	20	10
SLP-436B-51	P-9	585 (Y)	Color Diffused	25	3	70	-25~80	2.1	20	10	20	10
SLP-136C-51	P-9	700 (R)	Colored Clear	25	3	70	-25~80	1.9	5	10	5	10
SLP-236C-51	P-9	565 (G)	Colored Clear	25	3	70	-25~80	2.1	20	25	20	10
SLP-436C-51	P-9	585 (Y)	Colored Clear	25	3	70	-25~80	2.1	20	40	20	10
SLP-936C-51	P-9	630 (U.R)	Colored Clear	25	3	70	-25~80	2.1	20	80	20	10

Cross-sectional view of chips



Tolerance : ±0.2
Unit : mm

