

# MM54HC4543/MM74HC4543 BCD-to-7 Segment Latch/Decoder/Driver for Liquid Crystal Displays

## General Description

The MM54HC4543/MM74HC4543 BCD-to-7 segment latch/decoder/driver utilize advanced silicon-gate CMOS technology, and can be used either as a high speed decoder or as a display driver. This circuit contains a 4-bit latch, BCD-to-7 segment decoder, and 7 output drivers. Data on the input pins flow through to the output when the LATCH ENABLE (LE) is high and is latched on the high to low transition of the LE input. The PHASE input (PH) controls the polarity of the 7 segment outputs. When PH is low the outputs are true 7 segment, and when PH is high the outputs are inverted 7 segment. When the PHASE input is driven by a liquid crystal display (LCD) backplane waveform the segment pins output the correct segment waveform for proper LCD AC drive voltages.

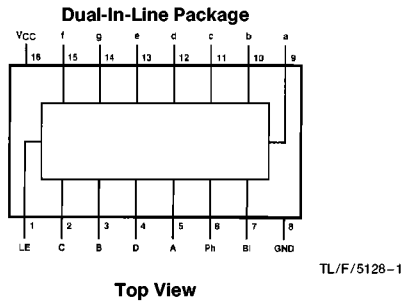
In addition a BLANKING INPUT (BI) is provided, which will blank the display.

The MM54HC4543/MM74HC4543 are functionally and pin-out equivalent to the CD4543BC/CD4543BM and the MC14543BA/MC14543BC. All inputs are protected from damage due to static discharge by diodes to V<sub>CC</sub> and ground.

## Features

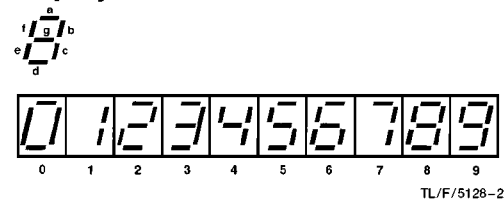
- Typical propagation delay: 60 ns
- Supply voltage range: 2–6V
- Maximum input current: 1 μA
- Maximum quiescent supply current: 80 μA (74HC)
- Display blanking
- Low dynamic power consumption

## Connection Diagram



Order Number MM54HC4543 or MM74HC4543

## Display Format



## Truth Table

Inputs					Outputs									
LE	BI	Ph*	D	C	B	A	a	b	c	d	e	f	g	Display
X	H	L	X	X	X	X	L	L	L	L	L	L	L	Blank
H	L	L	L	L	L	L	H	H	H	H	H	L	L	0
H	L	L	L	L	L	H	L	H	H	L	L	L	L	1
H	L	L	L	L	H	L	H	H	L	H	H	L	H	2
H	L	L	L	L	H	H	H	H	H	L	L	L	H	3
H	L	L	L	H	L	L	L	H	L	L	L	L	H	4
H	L	L	L	H	L	H	H	L	H	H	L	L	H	5
H	L	L	L	H	H	L	H	L	H	H	H	H	H	6
H	L	L	L	H	H	H	H	H	H	L	L	L	L	7
H	L	L	H	L	L	L	H	H	H	H	H	H	H	8
H	L	L	H	L	L	H	H	H	H	L	L	H	H	9
H	L	L	H	L	H	L	L	L	L	L	L	L	L	Blank
H	L	L	H	L	H	H	L	L	L	L	L	L	L	Blank
H	L	L	H	H	L	L	L	L	L	L	L	L	L	Blank
H	L	L	H	H	H	L	L	L	L	L	L	L	L	Blank
L	L	L	X	X	X	X				**				**
†	†	H				†	Inverse of Output Combinations Above						Display as above	

X — don't care  
 † = same as above combinations  
 \* = for liquid crystal readouts, apply a square wave to Ph.  
 \*\* = depends upon the BCD code previously applied when LE—H

MM54HC4543/MM74HC4543 BCD-to-7 Segment Latch/Decoder/Driver for Liquid Crystal Displays

## Absolute Maximum Ratings (Notes 1 & 2)

If Military/Aerospace specified devices are required, please contact the National Semiconductor Sales Office/Distributors for availability and specifications.

Supply Voltage ( $V_{CC}$ )	-0.5 to +7.0V
DC Input Voltage ( $V_{IN}$ )	-1.5 to $V_{CC}$ + 1.5V
DC Output Voltage ( $V_{OUT}$ )	-0.5 to $V_{CC}$ + 0.5V
Clamp Diode Current ( $I_{IK}, I_{OK}$ )	±20 mA
DC Output Current, per pin ( $I_{OUT}$ )	±25 mA
DC $V_{CC}$ or GND Current, per pin ( $I_{CC}$ )	±50 mA
Storage Temperature Range ( $T_{STG}$ )	-65°C to +150°C
Power Dissipation ( $P_D$ )	
(Note 3)	600 mW
S.O. Package only	500 mW
Lead Temp. ( $T_L$ ) (Soldering 10 seconds)	260°C

## Operating Conditions

	Min	Max	Units
Supply Voltage ( $V_{CC}$ )	2	6	V
DC Input or Output Voltage ( $V_{IN}, V_{OUT}$ )	0	$V_{CC}$	V
Operating Temp. Range ( $T_A$ )			
MM74HC	-40	+85	°C
MM54HC	-55	+125	°C
Input Rise or Fall Times ( $t_r, t_f$ )			
$V_{CC} = 2.0V$		1000	ns
$V_{CC} = 4.5V$		500	ns
$V_{CC} = 6.0V$		400	ns

## DC Electrical Characteristics (Note 4)

Symbol	Parameter	Conditions	$V_{CC}$	$T_A = 25^\circ C$		74HC $T_A = -40$ to $85^\circ C$		54HC $T_A = -55$ to $125^\circ C$		Units
				Typ	Guaranteed Limits					
$V_{IH}$	Minimum High Level Input Voltage		2.0V		1.5	1.5	1.5		V	
			4.5V		3.15	3.15	3.15	V		
			6.0V		4.2	4.2	4.2	V		
$V_{IL}$	Maximum Low Level Input Voltage**		2.0V		0.5	0.5	0.5	V		
			4.5V		1.35	1.35	1.35	V		
			6.0V		1.8	1.8	1.8	V		
$V_{OH}$	Minimum High Level Output Voltage	$V_{IN} = V_{IH}$ or $V_{IL}$ $ I_{OUT}  \leq 20 \mu A$	2.0V	2.0	1.9	1.9	1.9	V		
			4.5V	4.5	4.4	4.4	4.4	V		
			6.0V	6.0	5.9	5.9	5.9	V		
		$V_{IN} = V_{IH}$ or $V_{IL}$ $ I_{OUT}  \leq 0.4$ mA $ I_{OUT}  \leq 0.52$ mA	4.5V	4.2	3.98	3.84	3.7	V		
			6.0V	5.7	5.48	5.34	5.2	V		
$V_{OL}$	Maximum Low Level Output Voltage	$V_{IN} = V_{IH}$ or $V_{IL}$ $ I_{OUT}  \leq 20 \mu A$	2.0V	0	0.1	0.1	0.1	V		
			4.5V	0	0.1	0.1	0.1	V		
			6.0V	0	0.1	0.1	0.1	V		
		$V_{IN} = V_{IH}$ or $V_{IL}$ $ I_{OUT}  \leq 0.4$ mA $ I_{OUT}  \leq 0.52$ mA	4.5V	0.2	0.26	0.33	0.4	V		
			6.0V	0.2	0.26	0.33	0.4	V		
$I_{IN}$	Maximum Input Current	$V_{IN} = V_{CC}$ or GND	6.0V		±0.1	±1.0	±1.0	μA		
$I_{CC}$	Maximum Quiescent Supply Current	$V_{IN} = V_{CC}$ or GND $I_{OUT} = 0 \mu A$	6.0V		8.0	80	160	μA		

**Note 1:** Absolute Maximum Ratings are those values beyond which damage to the device may occur.

**Note 2:** Unless otherwise specified all voltages are referenced to ground.

**Note 3:** Power Dissipation temperature derating — plastic "N" package: -12 mW/°C from 65°C to 85°C; ceramic "J" package: -12 mW/°C from 100°C to 125°C.

**Note 4:** For a power supply of 5V ±10% the worst case output voltages ( $V_{OH}$ , and  $V_{OL}$ ) occur for HC at 4.5V. Thus the 4.5V values should be used when designing with this supply. Worst case  $V_{IH}$  and  $V_{IL}$  occur at  $V_{CC} = 5.5V$  and 4.5V respectively. (The  $V_{IH}$  value at 5.5V is 3.85V.) The worst case leakage current ( $I_{IN}$ ,  $I_{CC}$ , and  $I_{OZ}$ ) occur for CMOS at the higher voltage and so the 6.0V values should be used.

\*\* $V_{IL}$  limits are currently tested at 20% of  $V_{CC}$ . The above  $V_{IL}$  specification (30% of  $V_{CC}$ ) will be implemented no later than Q1, CY'89.

**AC Electrical Characteristics**  $V_{CC}=5V, T_A=25^{\circ}C, C_L=15\text{ pF}, t_r=t_f=6\text{ ns}$

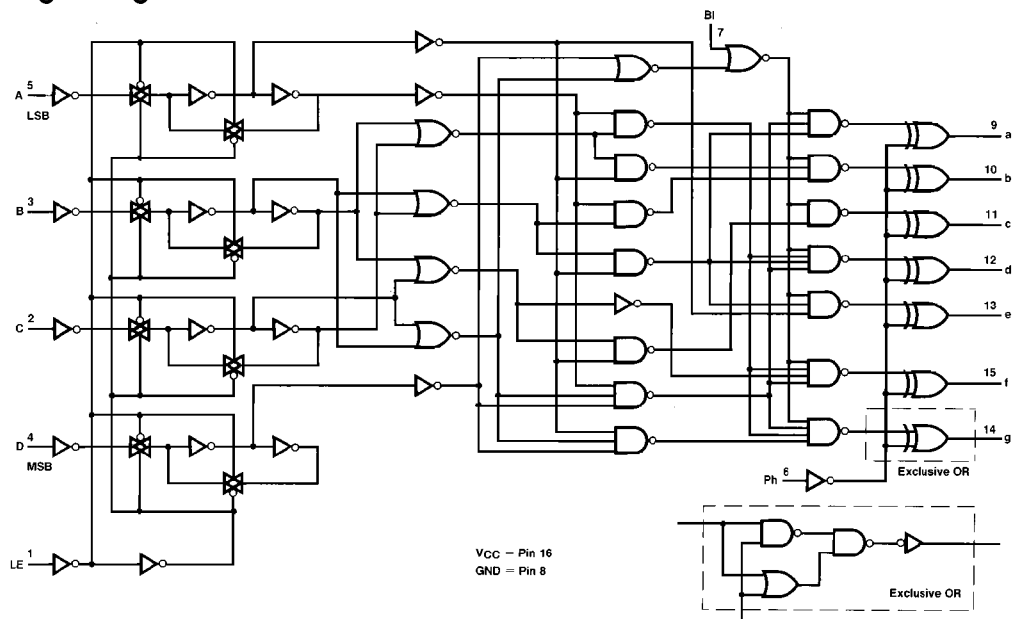
Symbol	Parameter	Conditions	Typ	Guaranteed Limit	Units
$t_{PHL}, t_{PLH}$	Maximum Propagation Delay Data LE, BI, Ph to Output		60	100	ns
$t_s$	Minimum Setup Time LE to Data			20	ns
$t_H$	Minimum Hold Time Data to LE			10	ns
$t_W$	Minimum LE Pulse Width			16	ns

**AC Electrical Characteristics**  $C_L=50\text{ pF}, t_r=t_f=6\text{ ns}$  (unless otherwise specified)

Symbol	Parameter	Conditions	$V_{CC}$	$T_A=25^{\circ}C$		74HC	54HC	Units
				Typ	Guaranteed Limits		$T_A=-40\text{ to }85^{\circ}C$	
$t_{PHL}, t_{PLH}$	Maximum Propagation Delay Data LE, Ph, BI to Output		2.0V	300	600	760	895	ns
			4.5V	60	120	151	179	ns
			6.0V	51	102	129	152	ns
$t_s$	Minimum Setup Time LE to Data		2.0V		100	125	150	ns
			4.5V		20	25	30	ns
			6.0V		17	21	25	ns
$t_H$	Minimum Hold Time Data to LE		2.0V		50	63	75	ns
			4.5V		10	13	15	ns
			6.0V		9	11	13	ns
$t_W$	Minimum LE Pulse Width		2.0V		80	100	120	ns
			4.5V		16	20	24	ns
			6.0V		14	17	20	ns
$C_{PD}$	Power Dissipation Capacitance (Note 5)							pF
$C_{IN}$	Maximum Input Capacitance			5	10	10	10	pF

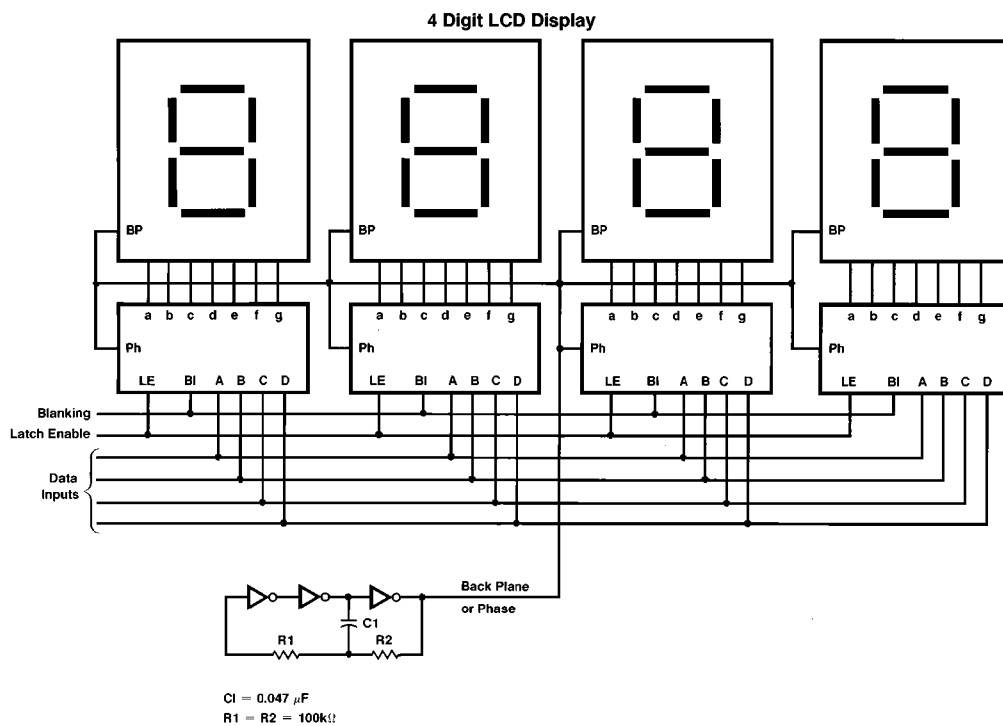
**Note 5:**  $C_{PD}$  determines the no load dynamic power consumption,  $P_D=C_{PD} V_{CC}^2 f+I_{CC} V_{CC}$ , and the no load dynamic current consumption,  $I_S=C_{PD} V_{CC} f+I_{CC}$ .

## Logic Diagram



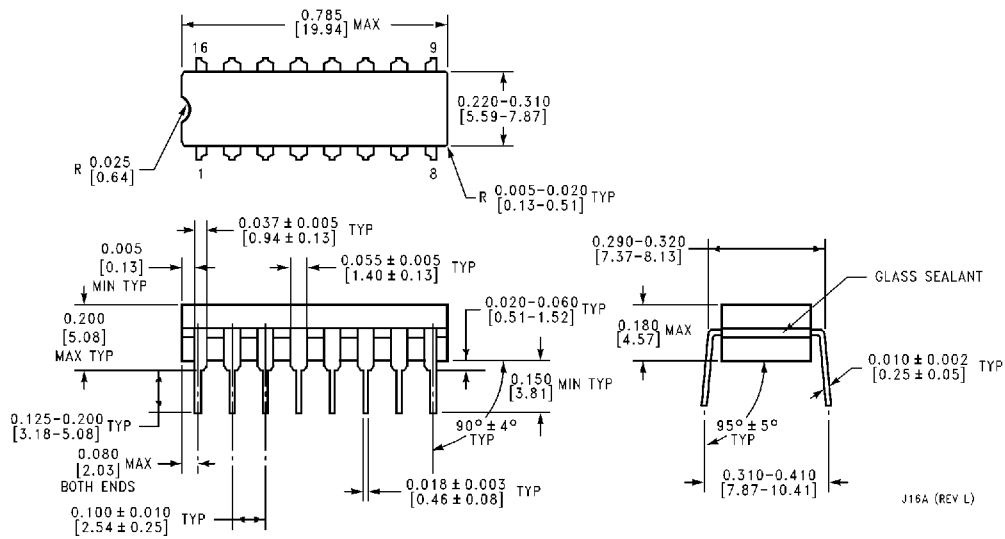
TL/F/5128-3

## Typical Applications



TL/F/5128-4

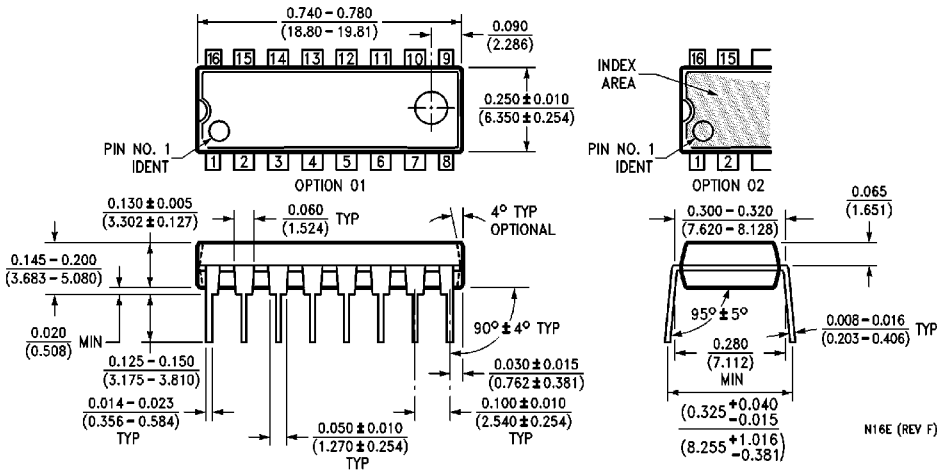
**Physical Dimensions** inches (millimeters)



**Dual-In-Line Package**  
**Order Number MM54HC4543J or MM74HC4543J**  
**NS Package J16A**

J16A (REV L)

**Physical Dimensions** inches (millimeters) (Continued)



**Order Number MM74HC4543N  
NS Package N16E**

**LIFE SUPPORT POLICY**

NATIONAL'S PRODUCTS ARE NOT AUTHORIZED FOR USE AS CRITICAL COMPONENTS IN LIFE SUPPORT DEVICES OR SYSTEMS WITHOUT THE EXPRESS WRITTEN APPROVAL OF THE PRESIDENT OF NATIONAL SEMICONDUCTOR CORPORATION. As used herein:

1. Life support devices or systems are devices or systems which, (a) are intended for surgical implant into the body, or (b) support or sustain life, and whose failure to perform, when properly used in accordance with instructions for use provided in the labeling, can be reasonably expected to result in a significant injury to the user.
2. A critical component is any component of a life support device or system whose failure to perform can be reasonably expected to cause the failure of the life support device or system, or to affect its safety or effectiveness.



**National Semiconductor Corporation**  
1111 West Bardin Road  
Arlington, TX 76017  
Tel: 1(800) 272-9959  
Fax: 1(800) 737-7018

**National Semiconductor Europe**  
Fax: (+49) 0-180-530 85 86  
Email: onjwge@tevm2.nsc.com  
Deutsch Tel: (+49) 0-180-530 85 85  
English Tel: (+49) 0-180-532 78 32  
Français Tel: (+49) 0-180-532 93 58  
Italiano Tel: (+49) 0-180-534 16 80

**National Semiconductor Hong Kong Ltd.**  
13th Floor, Straight Block,  
Ocean Centre, 5 Canton Rd.  
Tsimshatsui, Kowloon  
Hong Kong  
Tel: (852) 2737-1600  
Fax: (852) 2736-9960

**National Semiconductor Japan Ltd.**  
Tel: 81-043-299-2309  
Fax: 81-043-299-2408

National does not assume any responsibility for use of any circuitry described, no circuit patent licenses are implied and National reserves the right at any time without notice to change said circuitry and specifications.