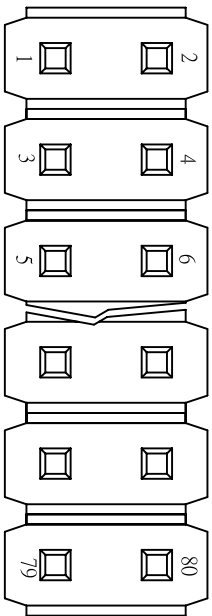
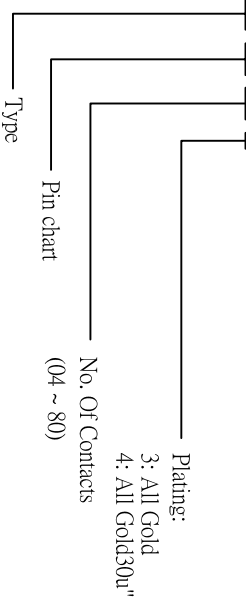


CUSTOMER COPY



ORDER INFORMATION

183 28 XX XX X



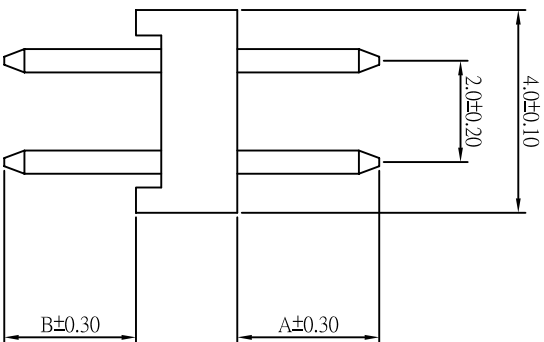
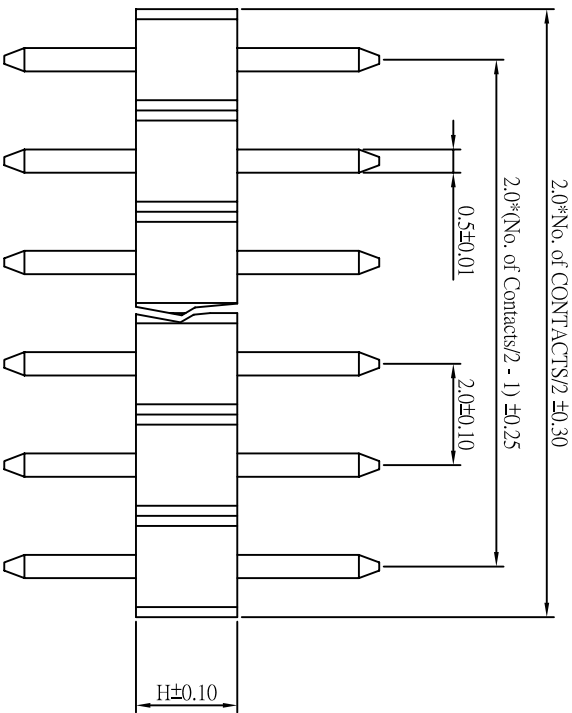
REV	ECN NO.	APP.	DATE
A	NEW DESIGN		

SPECIFICATION

- * Current Rating:
1 A
- * Withstanding Voltage:
600 VAC (1 min.)
- * Insulation Resistance:
1000 Megohms MIN.
- * Contact Resistance:
30 Milliohms MAX.
- * Operating Temperature:
-40°C to +85°C
- * Retention Force:
600g MIN.

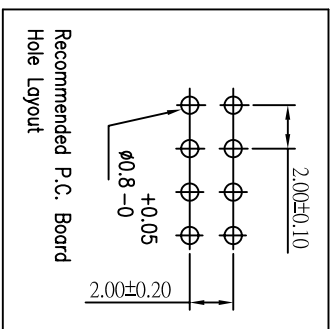
MATERIAL

- * Contact: BRASS
- 0.50mm square post
- * Insulator: High temperature plastic
- * Plating: All Gold



Pin Chart

No.	A	B	H
00	4.00	2.80	2.00
01	4.00	2.80	1.50
02	4.00	2.60	1.50
03			



ACMELUX CO., LTD.

TEL:886-85124595 FAX:886-85124322

SCALE: 0.1± TITLE: 2.00X2.00MM (.079"*.079") PIN

UNIT: MM HEADER Dual Row

MATL: PART NO: 109500

DWG. NO. C18328XXXXX DR BY: JACK LIN