



3-Volt Advanced+ Boot Block Flash Memory

28F800C3, 28F160C3, 28F320C3, 28F640C3 (x16)

Preliminary Datasheet

Product Features

- Flexible SmartVoltage Technology
 - 2.7 V–3.6 V Read/Program/Erase
 - 12 V for Fast Production Programming
- 1.65 V–2.5 V or 2.7 V–3.6 V I/O Option
 - Reduces Overall System Power
- High Performance
 - 2.7 V–3.6 V: 70 ns Max Access Time
- Optimized Architecture for Code Plus Data Storage
 - Eight 4-Kword Blocks, Top or Bottom Locations
 - Up to One Hundred-Twenty-Seven 32-Kword Blocks
 - Fast Program Suspend Capability
 - Fast Erase Suspend Capability
- Flexible Block Locking
 - Lock/Unlock Any Block
 - Full Protection on Power-Up
 - WP# Pin for Hardware Block Protection
 - $V_{PP} = GND$ Option
 - V_{CC} Lockout Voltage
- Low Power Consumption
 - 9 mA Typical Read Power
 - 7 μA Typical Standby Power with Automatic Power Savings Feature
- 12 V Fast Production Program
- Extended Temperature Operation
 - -40 °C to +85 °C
- 128-bit Protection Register
 - 64-bit Unique Device Identifier
 - 64-bit User Programmable OTP Cells
- Extended Cycling Capability
 - Minimum 100,000 Block Erase Cycles
- Supports Intel® Flash Data Integrator Software
 - Flash Memory Manager
 - System Interrupt Manager
 - Supports Parameter Storage, Streaming Data (e.g., voice)
- Automated Word/Byte Program and Block Erase
 - Command User Interface
 - Status Registers
- Cross-Compatible Command Support
 - Intel Basic Command Set
 - Common Flash Interface
- Standard Surface Mount Packaging
 - 48-Ball CSP Packages
 - 64-Ball Easy BGA Packages
 - 48-Lead TSOP Package
- ETOX™ VIII (0.13 μm) Flash Technology
 - 32- and 64-Mbit
- ETOX™ VII (0.18 μm) Flash Technology
 - 16-, 32-, 64-Mbit
- ETOX™ VI (0.25 μm) Flash Technology
 - 8-, 16- and 32-Mbit

The 3-Volt Advanced+ Boot Block Flash memory, manufactured on Intel's latest 0.13 μm and 0.18 μm technologies, represents a feature-rich solution for low-power applications. 3-Volt Advanced+ Boot Block Flash memory devices incorporate low-voltage capability (2.7 V read, program and erase) with high-speed, low-power operation. Flexible block locking allows any

Notice: This document contains preliminary information on new products in production. The specifications are subject to change without notice. Verify with your local Intel sales office that you have the latest datasheet before finalizing a design.



block to be independently locked or unlocked. Add to this the Intel® Flash Data Integrator (IFDI) software and you have a cost-effective, flexible, monolithic code plus data storage solution. Intel® 3-Volt Advanced+ Boot Block products will be available in 48-lead TSOP, 48-ball CSP, and 64-ball Easy BGA packages. Additional information on this product family can be obtained by accessing the Intel® Flash website: <http://www.intel.com/design/flash>.

Information in this document is provided in connection with Intel® products. No license, express or implied, by estoppel or otherwise, to any intellectual property rights is granted by this document. Except as provided in Intel's Terms and Conditions of Sale for such products, Intel assumes no liability whatsoever, and Intel disclaims any express or implied warranty, relating to sale and/or use of Intel products including liability or warranties relating to fitness for a particular purpose, merchantability, or infringement of any patent, copyright or other intellectual property right. Intel products are not intended for use in medical, life saving, or life sustaining applications.

Intel may make changes to specifications and product descriptions at any time, without notice.

Designers must not rely on the absence or characteristics of any features or instructions marked "reserved" or "undefined." Intel reserves these for future definition and shall have no responsibility whatsoever for conflicts or incompatibilities arising from future changes to them.

The 28F800C3, 28F160C3, 28F320C3, 28F640C3 may contain design defects or errors known as errata which may cause the product to deviate from published specifications. Current characterized errata are available on request.

Contact your local Intel sales office or your distributor to obtain the latest specifications and before placing your product order.

Copies of documents which have an ordering number and are referenced in this document, or other Intel literature may be obtained by calling 1-800-548-4725 or by visiting Intel's website at <http://www.intel.com>.

Copyright © Intel Corporation, 1998 – 2001.

*Other names and brands may be claimed as the property of others.

Contents

1.0	Introduction	1
1.1	Product Overview	2
2.0	Product Description	3
2.1	Package Pinouts	3
2.2	Block Organization	9
2.2.1	Parameter Blocks	9
2.2.2	Main Blocks	9
3.0	Principles of Operation	9
3.1	Bus Operation	9
3.1.1	Read	9
3.1.2	Output Disable	10
3.1.3	Standby	10
3.1.4	Reset	10
3.1.5	Write	11
3.2	Modes of Operation	11
3.2.1	Read Array	11
3.2.2	Read Configuration	12
3.2.3	Read Status Register	12
3.2.4	Read Query	13
3.2.5	Program Mode	13
3.2.6	Erase Mode	14
3.3	Flexible Block Locking	17
3.3.1	Locking Operation	18
3.3.2	Unlocked State	18
3.3.3	Lock-Down State	18
3.3.4	Reading Block-Lock Status	19
3.3.5	Locking Operations during Erase Suspend	19
3.3.6	Status Register Error Checking	19
3.4	128-Bit Protection Register	20
3.4.1	Reading the Protection Register	20
3.4.2	Programming the Protection Register	21
3.4.3	Locking the Protection Register	21
3.5	V _{PP} Program and Erase Voltages	21
3.5.1	Improved 12-Volt Production Programming	21
3.5.2	V _{PP} & V _{PPLK} for Complete Protection	22
3.6	Power Consumption	22
3.6.1	Active Power (Program/Erase/Read)	23
3.6.2	Automatic Power Savings (APS)	23
3.6.3	Standby Power	23
3.6.4	Deep Power-Down Mode	23
3.7	Power-Up/Down Operation	23
3.7.1	RP# Connected to System Reset	24
3.7.2	VCC, VPP and RP# Transitions	24
3.8	Power Supply Decoupling	24



4.0	Electrical Specifications	25
4.1	Absolute Maximum Ratings	25
4.2	Operating Conditions	26
4.3	Capacitance	26
4.4	DC Characteristics	27
4.5	AC Characteristics—Read Operations.....	31
4.6	AC Characteristics—Write Operations.....	36
4.7	Erase and Program Timings	40
4.8	Reset Operations	42
5.0	Ordering Information	43
6.0	Additional Information	45
A	WSM Current/Next States, Sheet 1 of 2	46
B	Program/Erase Flowcharts	48
C	Common Flash Interface Query Structure	54
D	Architecture Block Diagram	61
E	Word-Wide Memory Map Diagrams	62
F	Device ID Table	66
G	Protection Register Addressing	67

Revision History

Date of Revision	Version	Description
05/12/98	-001	Original version
07/21/98	-002	48-Lead TSOP package diagram change μBGA package diagrams change 32-Mbit ordering information change (Section 6) CFI Query Structure Output Table Change (Table C2) CFI Primary-Vendor Specific Extended Query Table Change for Optional Features and Command Support change (Table C8) Protection Register Address Change I _{PPD} test conditions clarification (Section 4.3) μBGA package top side mark information clarification (Section 6)
10/03/98	-003	Byte-Wide Protection Register Address change V _{IH} Specification change (Section 4.3) V _{IL} Maximum Specification change (Section 4.3) I _{CCS} test conditions clarification (Section 4.3) Added Command Sequence Error Note (Table 7) Datasheet renamed from <i>3 Volt Advanced Boot Block, 8-, 16-, 32-Mbit Flash Memory Family</i> .
12/04/98	-004	Added t _{BHWH} /t _{BHEH} and t _{QVBL} (Section 4.6) Programming the Protection Register clarification (Section 3.4.2)
12/31/98	-005	Removed all references to x8 configurations
02/24/99	-006	Removed reference to 40-Lead TSOP from front page
06/10/99	-007	Added Easy BGA package (Section 1.2) Removed 1.8 V I/O references <i>Locking Operations Flowchart</i> changed (Appendix B) Added t _{WHGL} (Section 4.6) CFI Primary Vendor-Specific Extended Query changed (Appendix C)
03/20/00	-008	Max I _{CCD} changed to 25 μA Table 10, added note indicating V _{CC} Max = 3.3 V for 32-Mbit device
04/24/00	-009	Added specifications for 0.18 micron product offerings throughout document Added 64-Mbit density
10/12/00	-010	Changed references of 32Mbit 80ns devices to 70ns devices to reflect the faster product offering. Changed V _{CC} Max=3.3V reference to indicate that the affected product is the 0.25μm 32Mbit device. Minor text edits throughout document.
7/20/01	-011	Added 1.8v I/O operation documentation where applicable Added TSOP PCN 'Pin-1' indicator information Changed references in 8 x 8 BGA pinout diagrams from 'GND' to 'Vssq' Added 'Vssq' to Pin Descriptions Information Removed 0.4 μm references in DC characteristics table Corrected 64Mb package Ordering Information from 48-μBGA to 48-VFBGA Corrected 'bottom' boot block sizes to on 8Mb device to 8 x 4KWords Minor text edits throughout document
10/02/01	-012	Added specifications for 0.13 micron product offerings throughout document

1.0 Introduction

This document contains the specifications for the 3-Volt Advanced+ Boot Block Flash Memory family. These flash memories add features, such as instant block locking and a protection register, that can be used to enhance the security of systems.

This family of products features 1.65 V – 2.5 V or 2.7 V–3.6 V I/Os and a low V_{CC}/V_{PP} operating range of 2.7 V–3.6 V for Read, Program, and Erase operations. In addition, this family is capable of fast programming at 12 V. Throughout this document, the term “2.7 V” refers to the full voltage range 2.7 V–3.6 V (except where noted otherwise) and “ $V_{PP} = 12 V$ ” refers to 12 V $\pm 5\%$. [Section 1.0](#) and [Section 2.0](#) provide an overview of the flash memory family including applications, pinouts, pin descriptions, and memory organization. [Section 3.0](#) describes the operation of these products, with [Section 4.0](#) providing the operating specifications. [Section 5.0](#) outlines ordering information, and [Section 6.0](#) describes the location of additional reference material.

The 3-Volt Advanced+ Boot Block flash memory features include the following:

- Zero-latency, flexible block locking
- 128-bit Protection Register
- Simple system implementation for 12-V production programming with 2.7-V, in-field programming
- Ultra low-power operation at 2.7 V
- V_{CCQ} input of 1.65 V–2.5 V on all I/Os. See Figures 1 through 4 for pinout diagrams and V_{CCQ} location
- Minimum 100,000 block erase cycles
- Common Flash Interface for software query of device specs and features

Table 1. 3-Volt Advanced+ Boot Block Feature Summary

Feature	8 Mbit ⁽¹⁾ , 16 Mbit, 32 Mbit ⁽²⁾	Reference
V_{CC} Operating Voltage	2.7 V – 3.6 V ⁽³⁾	Table 8
V_{PP} Voltage	Provides complete write protection with optional 12 V Fast Programming	Table 8
V_{CCQ} I/O Voltage	1.65 V – 2.5 V or 2.7 V – 3.6 V	
Bus Width	16-bit	Table 2
Speed (ns)	8 Mbit: 90, 110 @ 2.7 V and 80, 100 @ 3.0 V 16 Mbit: 70, 80, 90, 110 @ 2.7 V and 70, 80, 100 @ 3.0 V 32 Mbit: 70, 90, 100, 110 @ 2.7 V and 70, 90, 100 @ 3.0 V 64 Mbit: 80, 100 @ 2.7 V and 80, 100 @ 3.0 V	Section 4.4
Blocking (top or bottom)	8 x 4-Kword parameter 8-Mb: 15 x 32-Kword main 16-Mb: 31 x 32-Kword main 32-Mb: 63 x 32-Kword main 64-Mb: 127 x 32-Kword main	Appendix 2.2 Appendix E
Operating Temperature	Extended: –40 °C to +85 °C	Table 8
Program/Erase Cycling	100,000 cycles	Table 8
Packages	48-Lead TSOP 48-Ball μ BGA* CSP ⁽¹⁾ , 48-Ball VF BGA, Easy BGA	Figure 1, 2 and 3
Block Locking	Flexible locking of any block with zero latency	Section 3.3
Protection Register	64-bit unique device number, 64-bit user programmable	Section 3.4

NOTES:

1. 8-Mbit density not available in μ BGA* CSP.
2. See Specification Update for changes to 32-Mbit devices (order 297938).
3. $V_{CCMax} = 3.3$ V on 0.25 μ m 32-Mbit devices.

1.1 Product Overview

Intel provides secure low voltage memory solutions with the Advanced Boot Block family of products. A new block locking feature allows instant locking/unlocking of any block with zero latency. A 128-bit protection register allows unique flash device identification.

Discrete supply pins provide single voltage read, program, and erase capability at 2.7 V, while also allowing 12-V V_{PP} for faster production programming. Improved 12 V, a new feature designed to reduce external logic, simplifies board designs when combining 12-V production programming with 2.7-V in-field programming.

The 3-Volt Advanced+ Boot Block flash memory products are available in x16 packages in the following densities: (see [Section 5.0, “Ordering Information” on page 43](#))

- 8-Mbit (8, 388, 608 bit) flash memories organized as 512 Kwords of 16 bits each
- 16-Mbit (16, 777, 216 bit) flash memories organized as 1024 Kwords of 16 bits each
- 32-Mbit (33, 554, 432 bit) flash memories organized as 2048 Kwords of 16 bits each
- 64-Mbit (67, 108, 864 bit) flash memories organized as 4096 Kwords of 16 bits each.

Eight 4-Kword parameter blocks are located at either the top (denoted by -T suffix) or the bottom (-B suffix) of the address map in order to accommodate different microprocessor protocols for kernel code location. The remaining memory is grouped into 64-Kbyte main blocks (see [Appendix E](#)).

All blocks can be locked or unlocked instantly to provide complete protection for code or data (see [Section 3.3, “Flexible Block Locking” on page 17](#) for details).

The Command User Interface (CUI) serves as the interface between the microprocessor or microcontroller and the internal operation of the flash memory. The internal Write State Machine (WSM) automatically executes the algorithms and timings necessary for Program and Erase operations, including verification, thereby unburdening the microprocessor or microcontroller. The status register indicates the status of the WSM by signifying block-erase or word program completion and status.

Program and erase automation allows Program and Erase operations to be executed using an industry-standard two-write command sequence to the CUI. Program operations are performed in word increments. Erase operations erase all locations within a block simultaneously. Both Program and Erase operations can be suspended by the system software in order to read from any other block. In addition, data can be programmed to another block during an erase suspend.

The 3-Volt Advanced+ Boot Block flash memories offer two low-power savings features: Automatic Power Savings (APS), and standby mode. The device automatically enters APS mode following the completion of a read cycle. Standby mode is initiated when the system deselects the device by driving CE# inactive. Combined, these two power-savings features significantly reduce power consumption.

The device can be reset by lowering RP# to GND, which provides CPU memory reset synchronization and additional protection against bus noise that may occur during system reset and power-up/down sequences (see Section 3.5 and Section 3.6).

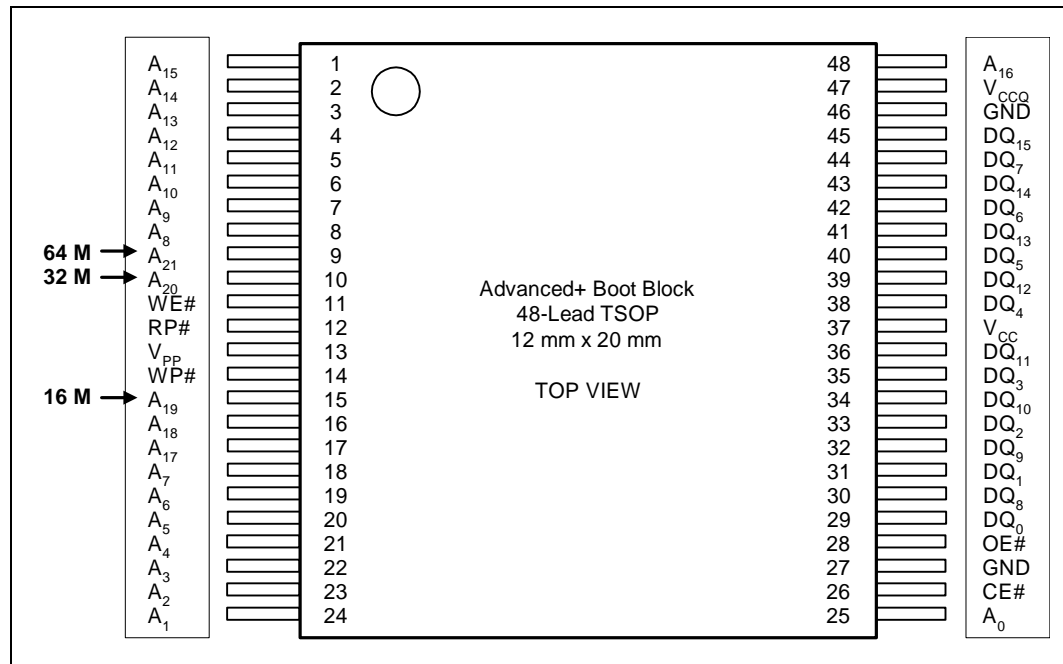
Refer to Section 4.4, “DC Characteristics” on page 27 for complete current and voltage specifications. Refer to Section 4.5 and Section 4.6 for read and write performance specifications. Section 4.7 shows program and erase times.

2.0 Product Description

This section provides device pin descriptions and package pinouts for the 3-Volt Advanced+ Boot Block Flash Memory family, which is available in 48-lead TSOP (x16) and 48-ball μ BGA and Easy BGA packages (Figures 1, 2 and 3, respectively).

2.1 Package Pinouts

Figure 1. 48-Lead TSOP Package

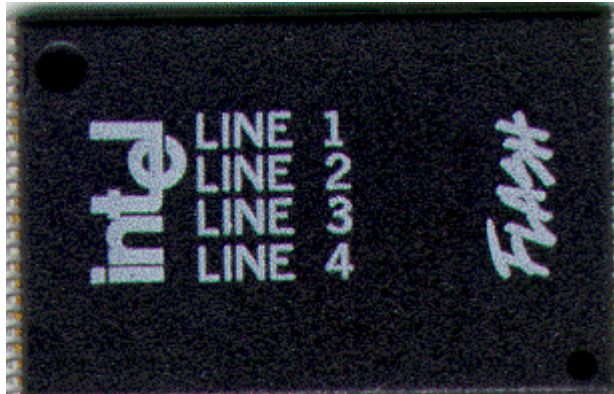


0645_02

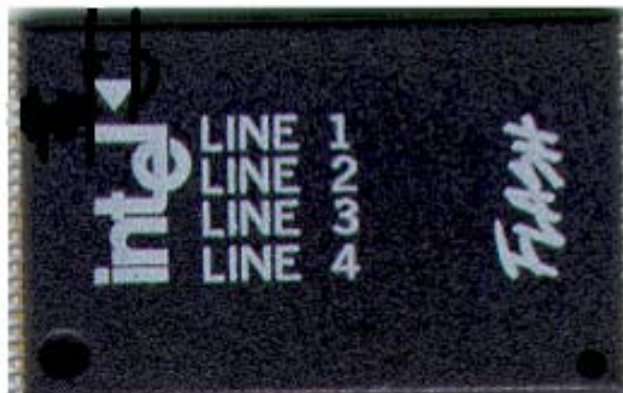
Note: Lower densities will have NC on the upper address pins. For example, a 16-Mbit device will have NC on Pins 9 and 10.

Figure 2. New Mark for Pin-1 indicator on 48-Lead 8Mb, 16Mb and 32Mb TSOP

Current Mark:



New Mark:



Note: The topside marking on 8 Mb, 16 Mb, and 32 Mb Advanced and Advanced + Boot Block 48L TSOP products will convert to a white ink triangle as a Pin 1 indicator. Products without the white triangle will continue to use a dimple as a Pin 1 indicator. There are no other changes in package

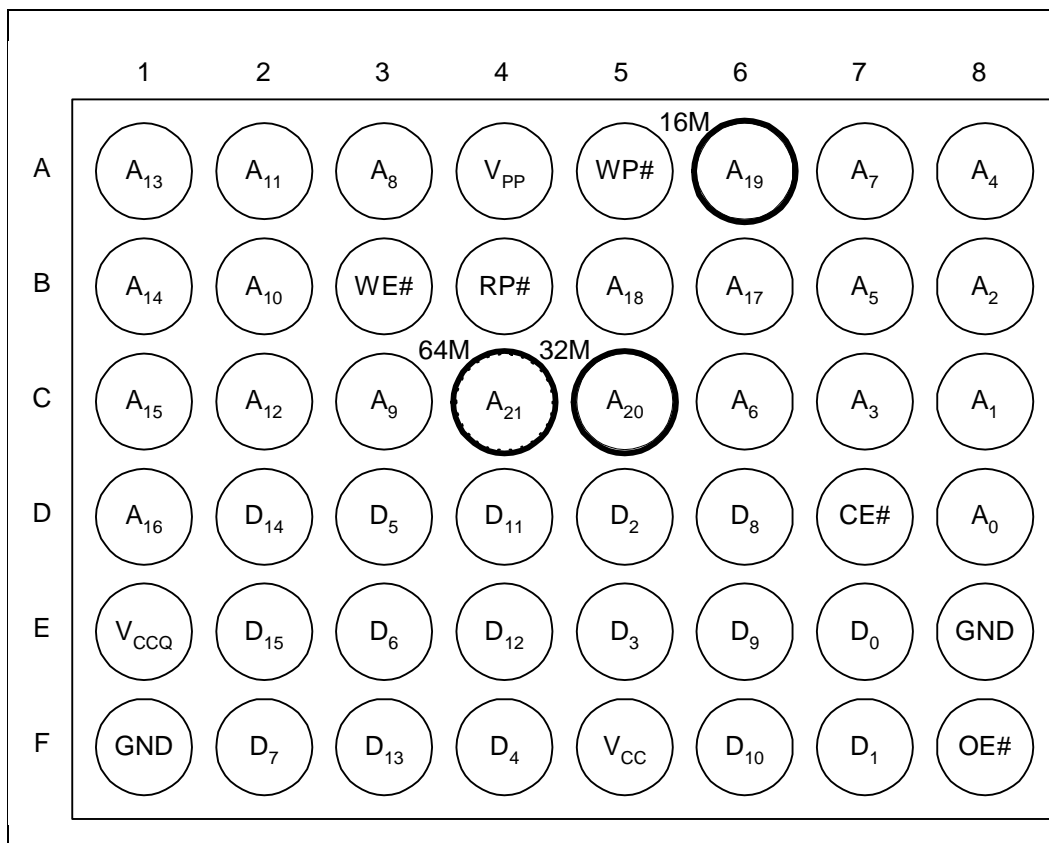


size, materials, functionality, customer handling, or manufacturability. Product will continue to meet Intel stringent quality requirements.

Products Affected are Intel Ordering Codes:

	48-Lead TSOP
Extended 32 Mbit	TE28F320C3TC70 TE28F320C3BC70 TE28F320C3TC90 TE28F320C3BC90 TE28F320C3TA100 TE28F320C3BA100 TE28F320C3TA110 TE28F320C3BA110
Extended 16 Mbit	TE28F160C3TC70 TE28F160C3BC70 TE28F160C3TC80 TE28F160C3BC80 TE28F160C3TA90 TE28F160C3BA90 TE28F160C3TA110 TE28F160C3BA110
Extended 8 Mbit	TE28F800C3TA90 TE28F800C3BA90 TE28F800C3TA110 TE28F800C3BA110

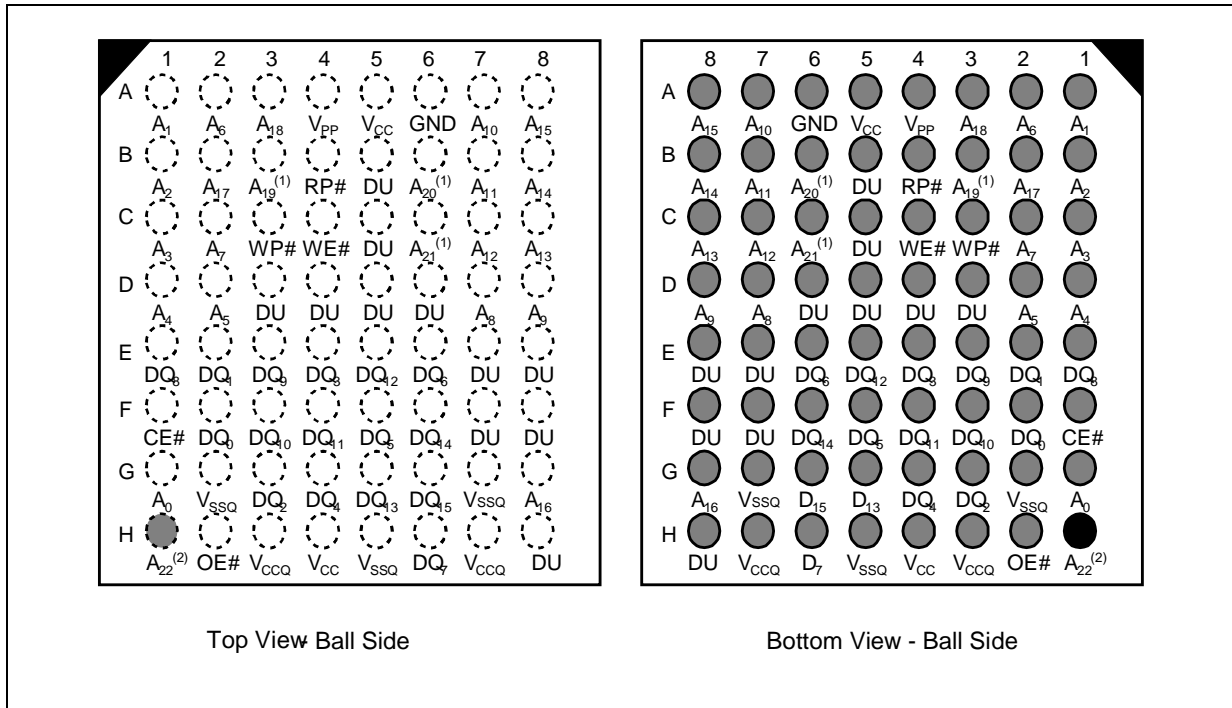
Figure 3. 48-Ball μ BGA* and 48-Ball Very Fine Pitch BGA Chip Size Package (Top View, Ball Down)



Shaded connections indicate the upgrade address connections. Lower density devices will not have the upper address solder balls. Routing is not recommended in this area. A₁₉ is the upgrade address for the 16-Mbit device. A₂₀ is the upgrade address for the 32-Mbit device. A₂₁ is the upgrade address for the 64-Mbit device.

4. 8-Mbit not available on μ BGA* CSP.

Figure 4. 8 x 8 Easy BGA Package



NOTES:

1. A₁₉ denotes 16 Mbit; A₂₀ denotes 32 Mbit; A₂₁ denotes 64 Mbit.
2. A₂₂ indicates future density upgrade path to 128 Mbit (not yet available).

16fast

Table 2. 3-Volt Advanced+ Boot Block Pin Descriptions

Symbol	Type	Name and Function
A ₀ –A ₂₁	INPUT	ADDRESS INPUTS: Memory addresses are internally latched during a program or erase cycle. 8-Mbit: A[0-18], 16-Mbit: A[0-19], 32-Mbit: A[0-20], 64-Mbit: A[0-21]
DQ ₀ –DQ ₇	INPUT/ OUTPUT	DATA INPUTS/OUTPUTS: Inputs array data on the second CE# and WE# cycle during a Program command. Inputs commands to the Command User Interface when CE# and WE# are active. Data is internally latched. Outputs array, configuration and status register data. The data pins float to tri-state when the chip is de-selected or the outputs are disabled.
DQ ₈ –DQ ₁₅	INPUT/ OUTPUT	DATA INPUTS/OUTPUTS: Inputs array data on the second CE# and WE# cycle during a Program command. Data is internally latched. Outputs array and configuration data. The data pins float to tri-state when the chip is de-selected.
CE#	INPUT	CHIP ENABLE: Activates the internal control logic, input buffers, decoders and sense amplifiers. CE# is active low. CE# high de-selects the memory device and reduces power consumption to standby levels.
OE#	INPUT	OUTPUT ENABLE: Enables the device's outputs through the data buffers during a Read operation. OE# is active low.
WE#	INPUT	WRITE ENABLE: Controls writes to the command register and memory array. WE# is active low. Addresses and data are latched on the rising edge of the second WE# pulse.
RP#	INPUT	RESET/DEEP POWER-DOWN: Uses two voltage levels (V_{IL} , V_{IH}) to control reset/deep power-down mode. When RP# is at logic low, the device is in reset/deep power-down mode , which drives the outputs to High-Z, resets the Write State Machine, and minimizes current levels (I_{CCD}). When RP# is at logic high, the device is in standard operation. When RP# transitions from logic-low to logic-high, the device resets all blocks to locked and defaults to the read array mode.
WP#	INPUT	WRITE PROTECT: Controls the lock-down function of the flexible locking feature. When WP# is a logic low, the lock-down mechanism is enabled and blocks marked lock-down cannot be unlocked through software. When WP# is logic high, the lock-down mechanism is disabled and blocks previously locked-down are now locked and can be unlocked and locked through software. After WP# goes low, any blocks previously marked lock-down revert to that state. See Section 3.3 for details on block locking.
V _{CC}	SUPPLY	DEVICE POWER SUPPLY: [2.7 V–3.6 V] Supplies power for device operations.
V _{CCQ}	INPUT	I/O POWER SUPPLY: Enables all outputs to be driven to 1.8 V – 2.5 V while the V _{CC} is at 2.7 V–3.3 V. If the V _{CC} is regulated to 2.7 V–2.85 V, V _{CCQ} can be driven at 1.65 V–2.5 V to achieve lowest power operation (see Section 4.4). This input may be tied directly to V _{CC} (2.7 V–3.6 V).
V _{PP}	INPUT/ SUPPLY	PROGRAM/ERASE POWER SUPPLY: [1.65 V–3.6 V or 11.4 V–12.6 V] Operates as a input at logic levels to control complete device protection. Supplies power for accelerated Program and Erase operations in 12 V ± 5% range. This pin cannot be left floating. Lower V_{PP} ≤ V_{PPLK}, to protect all contents against Program and Erase commands. Set V_{PP} = V_{CC} for in-system Read, Program and Erase operations. In this configuration, V _{PP} can drop as low as 1.65 V to allow for resistor or diode drop from the system supply. Note that if V _{PP} is driven by a logic signal, V _{IH} = 1.65. That is, V _{PP} must remain above 1.65 V to perform in-system flash modifications. Raise V_{PP} to 12 V ± 5% for faster program and erase in a production environment. Applying 12 V ± 5% to V _{PP} can only be done for a maximum of 1000 cycles on the main blocks and 2500 cycles on the parameter blocks. V _{PP} may be connected to 12 V for a total of 80 hours maximum. See Section 3.4 for details on V _{PP} voltage configurations.
V _{SSQ}	SUPPLY	GROUND: For all internal circuitry. All V _{SSQ} inputs must be connected. Same function as GND.
GND	SUPPLY	GROUND: For all internal circuitry. All ground inputs must be connected.
NC		NO CONNECT: Pin may be driven or left floating.

2.2 Block Organization

The 3-Volt Advanced+ Boot Block is an asymmetrically blocked architecture that enables system integration of code and data within a single flash device. Each block can be erased independently of the others up to 100,000 times. For the address locations of each block, see the memory maps in [Appendix E](#).

2.2.1 Parameter Blocks

The 3-Volt Advanced+ Boot Block flash memory architecture includes parameter blocks to facilitate storage of frequently updated small parameters (i.e., data that would normally be stored in an EEPROM). Each device contains eight parameter blocks of 4 Kwords (4,096 words).

2.2.2 Main Blocks

After the parameter blocks, the remainder of the array is divided into 32-Kword (32,768 words) main blocks for data or code storage. Each 8-Mbit, 16-Mbit, 32-Mbit, or 64-Mbit device contains 15, 31, 63, or 127 main blocks, respectively.

3.0 Principles of Operation

The 3-Volt Advanced+ Boot Block flash memory family uses a CUI and automated algorithms to simplify Program and Erase operations. The CUI allows for 100% CMOS-level control inputs and fixed power supplies during erasure and programming.

The internal WSM completely automates Program and Erase operations while the CUI signals the start of an operation and the status register reports status. The CUI handles the WE# interface to the data and address latches, as well as system status requests during WSM operation.

3.1 Bus Operation

The 3-Volt Advanced+ Boot Block flash memory devices read, program, and erase in-system via the local CPU or microcontroller. All bus cycles to or from the flash memory conform to standard microcontroller bus cycles. Four control pins dictate the data flow in and out of the flash component: CE#, OE#, WE#, and RP#. [Table 3 on page 10](#) summarizes these bus operations.

3.1.1 Read

The flash memory has four read modes available: read array, read configuration, read status, and read query. These modes are accessible independent of the V_{pp} voltage. The appropriate Read Mode command must be issued to the CUI to enter the corresponding mode. Upon initial device power-up or after exit from reset, the device automatically defaults to read-array mode.

CE# and OE# must be driven active to obtain data at the outputs. CE# is the device selection control; when active it enables the flash memory device. OE# is the data output control, and it drives the selected memory data onto the I/O bus. For all read modes, WE# and RP# must be at V_{IH} . [Figure 9, “AC Waveform: Read Operations” on page 35](#) illustrates a read cycle.

3.1.2 Output Disable

With OE# at a logic-high level (V_{IH}), the device outputs are disabled. Output pins are placed in a high-impedance state.

3.1.3 Standby

Deselecting the device by bringing CE# to a logic-high level (V_{IH}) places the device in standby mode, which substantially reduces device power consumption without any latency for subsequent read accesses. In standby, outputs are placed in a high-impedance state independent of OE#. If deselected during Program or Erase operation, the device continues to consume active power until the Program or Erase operation is complete.

Table 3. Bus Operations

Mode	Notes	RP#	CE#	OE#	WE#	DQ ₀₋₇	DQ ₈₋₁₅
Read (Array, Status, Configuration, or Query)	1, 2,3	V_{IH}	V_{IL}	V_{IL}	V_{IH}	D _{OUT}	D _{OUT}
Output Disable	1	V_{IH}	V_{IL}	V_{IH}	V_{IH}	High Z	High Z
Standby	1	V_{IH}	V_{IH}	X	X	High Z	High Z
Reset	1,4	V_{IL}	X	X	X	High Z	High Z
Write	1,4,5,6	V_{IH}	V_{IL}	V_{IH}	V_{IL}	D _{IN}	D _{IN}

NOTES:

1. X must be V_{IL} , V_{IH} for control pins and addresses.
2. See *DC Characteristics* for V_{PPLK} , V_{PP1} , V_{PP2} , V_{PP3} , voltages.
3. Manufacturer and device codes may also be accessed in read-configuration mode ($A_1-A_{20} = 0$). See [Table 4 on page 12](#).
4. To program or erase the lockable blocks, hold WP# at V_{IH} .
5. Refer to [Table 5 on page 15](#) for valid D_{IN} during a Write operation.
6. RP# must be at $GND \pm 0.2 V$ to meet the maximum deep power-down current specified.

8-bit devices use only DQ [0:7], 16-bit devices use DQ [0:15].

3.1.4 Reset

From read mode, RP# at V_{IL} for time t_{PLPH} deselects the memory, places output drivers in a high-impedance state, and turns off all internal circuits. After return from reset, a time t_{PHQV} is required until the initial read-access outputs are valid. A delay (t_{PHWL} or t_{PHEL}) is required after return from reset before a write can be initiated. After this wake-up interval, normal operation is restored. The CUI resets to read-array mode, the status register is set to 80H, and all blocks are locked. [Figure 11, “AC Waveform: Reset Operations” on page 42](#) (section A) illustrates this case.

If RP# is taken low for time t_{PLPH} during a Program or Erase operation, the operation will be aborted and the memory contents at the aborted location (for a program) or block (for an erase) are no longer valid, since the data may be partially erased or written. The abort process goes through the following sequence:

1. When RP# goes low, the device shuts down the operation in progress, a process which takes time t_{PLRH} to complete.
2. After this time t_{PLRH} , the part will either reset to read-array mode (if RP# has gone high during t_{PLRH} , [Figure 11](#), section B) or enter reset mode (if RP# is still logic low after t_{PLRH} , [Figure 11](#), section C).

3. In both cases, after returning from an aborted operation, the relevant time t_{PHQV} or t_{PHWL}/t_{PHEL} must be observed before a Read or Write operation is initiated, as discussed in the previous paragraph. However, in this case, these delays are referenced to the end of t_{PLRH} rather than when $RP\#$ goes high.

As with any automated device, it is important to assert $RP\#$ during system reset. When the system comes out of reset, the processor expects to read from the flash memory. Automated flash memories provide status information when read during program or Block-Erase operations. If a CPU reset occurs with no flash memory reset, proper CPU initialization may not occur because the flash memory may be providing status information instead of array data. Intel® Flash memories allow proper CPU initialization following a system reset through the use of the $RP\#$ input. In this application, $RP\#$ is controlled by the same $RESET\#$ signal that resets the system CPU.

3.1.5 Write

A write occurs when both $CE\#$ and $WE\#$ are low and $OE\#$ is high. Commands are written to the Command User Interface (CUI) using standard microprocessor write timings to control Flash operations. The CUI does not occupy an addressable memory location. The address and data buses are latched on the rising edge of the second $WE\#$ or $CE\#$ pulse, whichever occurs first. See [Figure 10, “AC Waveform: Program and Erase Operations” on page 41](#). The available commands are shown in [Table 6 on page 16](#), and [Appendix A](#) provides detailed information on moving between the different modes of operation using CUI commands.

Two commands modify array data: Program (40H), and Erase (20H). Writing either of these commands to the internal Command User Interface (CUI) initiates a sequence of internally timed functions that culminate in the completion of the requested task (unless that operation is aborted by either $RP\#$ being driven to V_{IL} for t_{PLRH} or an appropriate Suspend command).

3.2 Modes of Operation

The flash memory has four read modes (read array, read configuration, read status, and read query), and two write modes (program and erase). Three additional modes (erase suspend to program, erase suspend to read, and program suspend to read) are available only during suspended operations. Tables 5 and 6 summarize the commands used to reach these modes. [Appendix A](#) is a comprehensive chart showing the state transitions.

3.2.1 Read Array

When $RP\#$ transitions from V_{IL} (reset) to V_{IH} , the device defaults to read-array mode and will respond to the read-control inputs ($CE\#$, address inputs, and $OE\#$) without any additional CUI commands.

When the device is in read array mode, four control signals control data output.

- $WE\#$ must be logic high (V_{IH})
- $CE\#$ must be logic low (V_{IL})
- $OE\#$ must be logic low (V_{IL})
- $RP\#$ must be logic high (V_{IH})

In addition, the address of the desired location must be applied to the address pins. If the device is not in read-array mode, as would be the case after a Program or Erase operation, the Read Array command (FFH) must be written to the CUI before array reads can occur.

3.2.2 Read Configuration

The read-configuration mode outputs three types of information: the manufacturer/device identifier, the block locking status, and the protection register. The device is switched to this mode by writing the Read Configuration command (90H). Once in this mode, read cycles from addresses shown in Table 4 retrieve the specified information. To return to read-array mode, write the Read Array command (FFH).

Table 4. Read Configuration Table

Item	Address	Data
Manufacturer Code (x16)	00000	0089
Device ID (See Appendix F)	00001	ID
Block Lock Configuration ⁽¹⁾	XX002 ⁽²⁾	LOCK
• Block Is Unlocked		DQ ₀ = 0
• Block Is Locked		DQ ₀ = 1
• Block Is Locked-Down		DQ ₁ = 1
Protection Register Lock ⁽³⁾	80	PR-LK
Protection Register (x16)	81–88	PR

NOTES:

1. See [Section 3.3.4](#) for valid lock-status outputs.
2. "XX" specifies the block address of lock configuration being read.
3. See [Section 3.4](#) for protection register information.
4. Other locations within the configuration address space are reserved by Intel for future use.

3.2.3 Read Status Register

The status register indicates the status of device operations, and the success/failure of that operation. The Read Status Register (70H) command causes subsequent reads to output data from the status register until another command is issued. To return to reading from the array, issue a Read Array (FFH) command.

The status-register bits are output on DQ₀–DQ₇. The upper byte, DQ₈–DQ₁₅, outputs 00H during a Read Status Register command.

The contents of the status register are latched on the falling edge of OE# or CE# (whichever occurs last), which prevents possible bus errors that might occur if status register contents change while being read. CE# or OE# must be toggled with each subsequent status read, or the status register will not indicate completion of a Program or Erase operation.

When the WSM is active, SR.7 will indicate the status of the WSM; the remaining bits in the status register indicate whether the WSM was successful in performing the preferred operation (see [Table 7, "Status Register Bit Definition" on page 17](#)).

3.2.3.1 Clearing the Status Register

The WSM sets status bits 1 through 7 to “1,” and clears bits 2, 6, and 7 to “0,” but cannot clear status bits 1 or 3 through 5 to “0.” Because bits 1, 3, 4, and 5 indicate various error conditions, these bits can be cleared only through the Clear Status Register (50H) command. By allowing the system software to control the resetting of these bits, several operations may be performed (such as cumulatively programming several addresses or erasing multiple blocks in sequence) before reading the status register to determine if an error occurred during that series. Clear the status register before beginning another command or sequence. Note that this is different from a burst device. The Read Array command must be issued before data can be read from the memory array. Resetting the device also clears the status register.

3.2.4 Read Query

The read-query mode outputs Common Flash Interface (CFI) data when the device is read, and can be accessed by writing the Read Query Command (98H). The CFI data structure contains information such as block size, density, command set, and electrical specifications. Once in this mode, read cycles from addresses shown in [Appendix C](#) retrieve the specified information. To return to read-array mode, write the Read Array command (FFH).

3.2.5 Program Mode

Programming is executed using a two-write sequence. The Program Setup command (40H) is written to the CUI followed by a second write which specifies the address and data to be programmed. The WSM will execute a sequence of internally timed events to program preferred bits of the addressed location, then verify the bits are sufficiently programmed. Programming the memory results in specific bits within an address location being changed to a “0.” If users attempt to program “1”s, the memory cell contents do not change and no error occurs.

The status register indicates programming status: while the program sequence executes, status bit 7 is “0.” The status register can be polled by toggling either CE# or OE#. While programming, the only valid commands are Read Status Register, Program Suspend, and Program Resume.

When programming is complete, the program-status bits should be checked. If the programming operation was unsuccessful, bit SR.4 of the status register is set to indicate a program failure. If SR.3 is set, then V_{PP} was not within acceptable limits, and the WSM did not execute the program command. If SR.1 is set, a program operation was attempted on a locked block and the operation was aborted.

The status register should be cleared before attempting the next operation. Any CUI instruction can follow after programming is completed; however, to prevent inadvertent status-register reads, be sure to reset the CUI to read-array mode.

3.2.5.1 Suspending and Resuming Program

The Program Suspend command halts an in-progress program operation so that data can be read from other locations of memory. Once the programming process starts, writing the Program Suspend command to the CUI requests that the WSM suspend the program sequence (at predetermined points in the program algorithm). The device continues to output status-register data after the Program Suspend command is written. Polling status-register bits SR.7 and SR.2 will determine when the program operation has been suspended (both will be set to “1”). t_{WHRH1} / t_{EHRH1} specify the program-suspend latency.

A Read Array command can now be written to the CUI to read data from blocks other than that which is suspended. The only other valid commands while program is suspended are Read Status Register, Read Configuration, Read Query, and Program Resume. After the Program Resume command is written to the flash memory, the WSM will continue with the programming process and status register bits SR.2 and SR.7 will automatically be cleared. The device automatically outputs status register data when read (see [Figure 13, “Program Suspend/Resume Flowchart” on page 49](#)) after the Program Resume command is written. V_{PP} must remain at the same V_{PP} level used for program while in program-suspend mode. $RP\#$ must also remain at V_{IH} .

3.2.6 Erase Mode

To erase a block, write the Erase Set-up and Erase Confirm commands to the CUI, along with an address identifying the block to be erased. This address is latched internally when the Erase Confirm command is issued. Block erasure results in all bits within the block being set to “1.” Only one block can be erased at a time. The WSM will execute a sequence of internally timed events to program all bits within the block to “0,” erase all bits within the block to “1,” then verify that all bits within the block are sufficiently erased. While the erase executes, status bit 7 is a “0.”

When the status register indicates that erasure is complete, check the erase-status bit to verify that the Erase operation was successful. If the Erase operation was unsuccessful, SR.5 of the status register will be set to a “1,” indicating an erase failure. If V_{PP} was not within acceptable limits after the Erase Confirm command was issued, the WSM will not execute the erase sequence; instead, SR.5 of the status register is set to indicate an erase error, and SR.3 is set to a “1” to identify that V_{PP} supply voltage was not within acceptable limits.

After an Erase operation, clear the status register (50H) before attempting the next operation. Any CUI instruction can follow after erasure is completed; however, to prevent inadvertent status-register reads, it is advisable to place the flash in read-array mode after the erase is complete.

3.2.6.1 Suspending and Resuming Erase

Since an Erase operation requires on the order of seconds to complete, an Erase Suspend command is provided to allow erase-sequence interruption in order to read data from—or program data to—another block in memory. Once the erase sequence is started, writing the Erase Suspend command to the CUI suspends the erase sequence at a predetermined point in the erase algorithm. The status register will indicate if/when the Erase operation has been suspended. Erase-suspend latency is specified by t_{WHRH2}/t_{EHRH2} .

A Read Array/Program command can now be written to the CUI to read/program data from/to blocks other than that which is suspended. This nested Program command can subsequently be suspended to read yet another location. The only valid commands while Erase is suspended are Read Status Register, Read Configuration, Read Query, Program Setup, Program Resume, Erase Resume, Lock Block, Unlock Block, and Lock-Down Block. During erase-suspend mode, the chip can be placed in a pseudo-standby mode by taking $CE\#$ to V_{IH} , which reduces active current consumption.

Erase Resume continues the erase sequence when $CE\# = V_{IL}$. Similar to the end of a standard Erase operation, the status register must be read and cleared before the next instruction is issued.

Table 5. Command Bus Operations

Command	Notes	First Bus Cycle			Second Bus Cycle		
		Oper	Addr	Data	Oper	Addr	Data
Read Array	1	Write	X	FFH			
Read Configuration	1, 2	Write	X	90H	Read	IA	ID
Read Query	1, 2	Write	X	98H	Read	QA	QD
Read Status Register	1	Write	X	70H	Read	X	SRD
Clear Status Register	1	Write	X	50H			
Program	1, 3	Write	X	40H/10H	Write	PA	PD
Block Erase/Confirm	1	Write	X	20H	Write	BA	D0H
Program/Erase Suspend	1	Write	X	B0H			
Program/Erase Resume	1	Write	X	D0H			
Lock Block	1	Write	X	60H	Write	BA	01H
Unlock Block	1	Write	X	60H	Write	BA	D0H
Lock-Down Block	1	Write	X	60H	Write	BA	2FH
Protection Program	1	Write	X	C0H	Write	PA	PD

X = Don't Care PA = Prog Addr BA = Block Addr IA = Identifier Addr. QA = Query Addr.
 SRD = Status Reg. Data PD = Prog Data ID = Identifier Data QD = Query Data

NOTES:

1. Following the Read Configuration or Read Query commands, Read operations output device configuration or CFI query information, respectively. See [Section 3.2.2](#) and [Section 3.2.4](#).
2. Either 40H or 10H command is valid, but the Intel standard is 40H.
3. When writing commands, the upper data bus [DQ₈-DQ₁₅] should be either V_{IL} or V_{IH}, to minimize current draw.

Bus operations are defined in [Table 3, "Bus Operations"](#) on page 10.

Table 6. Command Codes and Descriptions

Code	Device Mode	Description
FF	Read Array	This command places the device in read-array mode, which outputs array data on the data pins.
40	Program Set-Up	This is a two-cycle command. The first cycle prepares the CUI for a program operation. The second cycle latches addresses and data information and initiates the WSM to execute the Program algorithm. The flash outputs status-register data when CE# or OE# is toggled. A Read Array command is required after programming to read array data. See Section 3.2.5 .
20	Erase Set-Up	Prepares the CUI for the Erase Confirm command. If the next command is not an Erase Confirm command, then the CUI will (a) set both SR.4 and SR.5 of the status register to a "1," (b) place the device into the read-status-register mode, and (c) wait for another command. See Section 3.2.6 .
D0	Erase Confirm	If the previous command was an Erase Set-Up command, then the CUI will close the address and data latches and begin erasing the block indicated on the address pins. During program/erase, the device will respond only to the Read Status Register, Program Suspend and Erase Suspend commands, and will output status-register data when CE# or OE# is toggled.
	Program/Eraser Resume	If a Program or Erase operation was previously suspended, this command will resume that operation.
	Unlock Block	If the previous command was Configuration Set-Up, the CUI will latch the address and unlock the block indicated on the address pins. If the block had been previously set to Lock-Down, this operation will have no effect. (Section 3.3)
B0	Program Suspend	Issuing this command will begin to suspend the currently executing Program/Eraser operation. The status register will indicate when the operation has been successfully suspended by setting either the program-suspend (SR.2) or erase-suspend (SR.6) and the WSM status bit (SR.7) to a "1" (ready). The WSM will continue to idle in the SUSPEND state, regardless of the state of all input-control pins except RP#, which will immediately shut down the WSM and the remainder of the chip if RP# is driven to V _{IL} . See Sections 3.2.5.1 and 3.2.6.1 .
	Erase Suspend	
70	Read Status Register	This command places the device into read-status-register mode. Reading the device will output the contents of the status register, regardless of the address presented to the device. The device automatically enters this mode after a Program or Erase operation has been initiated. See Section 3.2.3 .
50	Clear Status Register	The WSM can set the block-lock status (SR.1), V _{PP} Status (SR.3), program status (SR.4), and erase-status (SR.5) bits in the status register to "1," but it cannot clear them to "0." Issuing this command clears those bits to "0."
90	Read Configuration	Puts the device into the read-configuration mode so that reading the device will output the manufacturer/device codes or block-lock status. Section 3.2.2 .
60	Configuration Set-Up	Prepares the CUI for changes to the device configuration, such as block-locking changes. If the next command is not Block Unlock, Block Lock, or Block Lock-Down, then the CUI will set both the program and erase-status-register bits to indicate a command-sequence error. See Section 3.2 .
01	Lock-Block	If the previous command was Configuration Set-Up, the CUI will latch the address and lock the block indicated on the address pins. (Section 3.3)
2F	Lock-Down	If the previous command was a Configuration Set-Up command, the CUI will latch the address and lock-down the block indicated on the address pins. (Section 3.3)
98	Read Query	Puts the device into the read-query mode so that reading the device will output Common Flash Interface information. See Section 3.2.4 and Appendix C .
C0	Protection Program Setup	This is a two-cycle command. The first cycle prepares the CUI for a program operation to the protection register. The second cycle latches addresses and data information and initiates the WSM to execute the Protection Program algorithm to the protection register. The flash outputs status-register data when CE# or OE# is toggled. A Read Array command is required after programming to read array data. See Section 3.4 .
10	Alt. Prog Set-Up	Operates the same as Program Set-up command. (See 40H/Program Set-Up)
00	Invalid/Reserved	Unassigned commands that should not be used. Intel reserves the right to redefine these codes for future functions.

NOTE: See [Appendix A](#) for mode transition information.

Table 7. Status Register Bit Definition

WSMS	ESS	ES	PS	VPPS	PSS	BLS	R
7	6	5	4	3	2	1	0
				NOTES:			
SR.7 WRITE STATE MACHINE STATUS (WSMS) 1 = Ready 0 = Busy				Check Write State Machine bit first to determine Word Program or Block Erase completion, before checking program or erase-status bits.			
SR.6 = ERASE-SUSPEND STATUS (ESS) 1 = Erase Suspended 0 = Erase In Progress/Completed				When Erase Suspend is issued, WSM halts execution and sets both WSMS and ESS bits to "1." ESS bit remains set to "1" until an Erase Resume command is issued.			
SR.5 = ERASE STATUS (ES) 1 = Error In Block Erase 0 = Successful Block Erase				When this bit is set to "1," WSM has applied the max. number of erase pulses to the block and is still unable to verify successful block erasure.			
SR.4 = PROGRAM STATUS (PS) 1 = Error in Programming 0 = Successful Programming				When this bit is set to "1," WSM has attempted but failed to program a word/byte.			
SR.3 = V _{PP} STATUS (VPPS) 1 = V _{PP} Low Detect, Operation Abort 0 = V _{PP} OK				The V _{PP} status bit does not provide continuous indication of V _{PP} level. The WSM interrogates V _{PP} level only after the Program or Erase command sequences have been entered, and informs the system if V _{PP} has not been switched on. The V _{PP} is also checked before the operation is verified by the WSM. The V _{PP} status bit is not guaranteed to report accurate feedback between V _{PPLK} and V _{PP1Min} .			
SR.2 = PROGRAM SUSPEND STATUS (PSS) 1 = Program Suspended 0 = Program in Progress/Completed				When Program Suspend is issued, WSM halts execution and sets both WSMS and PSS bits to "1." PSS bit remains set to "1" until a Program Resume command is issued.			
SR.1 = BLOCK LOCK STATUS 1 = Prog/Erase attempted on a locked block; Operation aborted. 0 = No operation to locked blocks				If a Program or Erase operation is attempted to one of the locked blocks, this bit is set by the WSM. The operation specified is aborted and the device is returned to read status mode.			
SR.0 = RESERVED FOR FUTURE ENHANCEMENTS (R)				This bit is reserved for future use and should be masked out when polling the status register.			

NOTE: A Command-Sequence Error is indicated when SR.4, SR.5, and SR.7 are set.

3.3 Flexible Block Locking

Intel 3-Volt Advanced+ Boot Block products offer an instant, individual block-locking scheme that allows any block to be locked or unlocked with no latency, enabling instant code and data protection.

This locking scheme offers two levels of protection. The first level allows software-only control of block locking (useful for data blocks that change frequently), while the second level requires hardware interaction before locking can be changed (useful for code blocks that change infrequently).

The following sections will discuss the operation of the locking system. The term "state [XYZ]" will be used to specify locking states; e.g., "state [001]," where X = value of WP#, Y = bit DQ₁ of the Block Lock status register, and Z = bit DQ₀ of the Block Lock status register. [Table 9, "Block Locking State Transitions" on page 20](#) defines all of these possible locking states.

3.3.1 Locking Operation

The following concisely summarizes the locking functionality.

- All blocks power-up locked, then can be unlocked or locked with the Unlock and Lock commands.
- The Lock-Down command locks a block and prevents it from being unlocked when WP# = 0.
 - When WP# = 1, Lock-Down is overridden and commands can unlock/lock locked-down blocks.
 - When WP# returns to 0, locked-down blocks return to Lock Down.
 - Lock Down is cleared only when the device is reset or powered down.

The locking status of each block can be set to Locked, Unlocked, and Lock Down, each of which will be described in the following sections. [Table 9 on page 20](#) is a comprehensive state table for the locking functions; [Figure 16 on page 52](#) is a flowchart for Locking operations.

3.3.1.1 Locked State

The default status of all blocks upon power-up or reset is locked (states [001] or [101]). Locked blocks are fully protected from alteration. Any Program or Erase operations attempted on a locked block will return an error on bit SR.1 of the status register. The status of a locked block can be changed to Unlocked or Lock Down using the appropriate software commands. An Unlocked block can be locked by writing the Lock command sequence, 60H followed by 01H.

3.3.2 Unlocked State

Unlocked blocks (states [000], [100], [110]) can be programmed or erased. All unlocked blocks return to the Locked state when the device is reset or powered down. The status of an unlocked block can be changed to Locked or Locked Down using the appropriate software commands. A Locked block can be unlocked by writing the Unlock command sequence, 60H followed by D0H.

3.3.3 Lock-Down State

Blocks that are Locked Down (state [011]) are protected from Program and Erase operations (just like Locked blocks), but their protection status cannot be changed using software commands alone. A Locked or Unlocked block can be Locked Down by writing the Lock-Down command sequence, 60H followed by 2FH. Locked-Down blocks revert to the Locked state when the device is reset or powered down.

The Lock-Down function depends on the WP# input pin. When WP# = 0, blocks in Lock Down [011] are protected from program, erase, and lock status changes. When WP# = 1, the Lock-Down function is disabled ([111]) and Locked-Down blocks can be individually unlocked by software command to the [110] state, where they can be erased and programmed. These blocks can then be relocked [111] and unlocked [110] as required while WP# remains high. When WP# goes low, blocks that were previously Locked Down return to the Lock-Down state [011], regardless of any changes made while WP# was high. Device reset or power-down resets all blocks, including those in Lock-Down, to Locked state.

3.3.4 Reading Block-Lock Status

The Lock status of every block can be read in the configuration-read mode of the device. To enter this mode, write 90H to the device. Subsequent reads at Block Address + 00002 will output the Lock status of that block. The Lock status is represented by DQ₀ and DQ₁. DQ₀ indicates the Block Lock/Unlock status and is set by the Lock command and cleared by the Unlock command. It is also automatically set when entering Lock Down. DQ₁ indicates Lock-Down status, and is set by the Lock-Down command. It cannot be cleared by software—only by device reset or power-down.

Table 8. Block Lock Status

Item	Address	Data
Block Lock Configuration	XX002	LOCK
• Block Is Unlocked		DQ ₀ = 0
• Block Is Locked		DQ ₀ = 1
• Block Is Locked-Down		DQ ₁ = 1

3.3.5 Locking Operations during Erase Suspend

Changes to block-lock status can be performed during an erase-suspend by using the standard locking command sequences to Unlock, Lock, or Lock Down a block. This is useful in the case when another block needs to be updated while an Erase operation is in progress.

To change block locking during an Erase operation, first write the Erase Suspend command (B0H), then check the status register until it indicates that the Erase operation has been suspended. Next, write the preferred Lock command sequence to a block and the Lock status will be changed. After completing any preferred Lock, Read, or Program operations, resume the Erase operation with the Erase Resume command (D0H).

If a block is Locked or Locked Down during a Suspended Erase of the same block, the locking status bits will be changed immediately, but when the Erase is resumed, the Erase operation will complete.

Locking operations cannot be performed during a Program Suspend. Refer to [Appendix A](#) for detailed information on which commands are valid during Erase Suspend.

3.3.6 Status Register Error Checking

Using nested-locking or program-command sequences during Erase Suspend can introduce ambiguity into status register results.

Since locking changes are performed using a two-cycle command sequence, e.g., 60H followed by 01H to lock a block, following the Configuration Setup command (60H) with an invalid command will produce a Lock-Command error (SR.4 and SR.5 will be set to 1) in the status register. If a Lock-Command error occurs during an Erase Suspend, SR.4 and SR.5 will be set to 1 and will remain at 1 after the Erase is resumed. When Erase is complete, any possible error during the Erase cannot be detected via the status register because of the previous Lock-Command error.

A similar situation happens if an error occurs during a Program-Operation error nested within an Erase Suspend.

Table 9. Block Locking State Transitions

Current State				Erase/Prog Allowed?	Lock Command Input Result (Next State)		
X	Y	Z			Lock	Unlock	Lock-Down
WP#	DQ ₁	DQ ₀	Name				
0	0	0	"Unlocked"	Yes	Goes To [001]	No Change	Goes To [011]
0	0	1	"Locked" (Default)	No	No Change	Goes To [000]	Goes To [011]
0	1	1	"Locked-Down"	No	No Change	No Change	No Change
1	0	0	"Unlocked"	Yes	Goes To [101]	No Change	Goes To [111]
1	0	1	"Locked"	No	No Change	Goes To [100]	Goes To [111]
1	1	0	Lock-Down Disabled	Yes	Goes To [111]	No Change	Goes To [111]
1	1	1	Lock-Down Disabled	No	No Change	Goes To [110]	No Change

NOTES:

- In this table, the notation [XYZ] denotes the locking state of a block, where X = WP#, Y = DQ₁, and Z = DQ₀. The current locking state of a block is defined by the state of WP# and the two bits of the block-lock status (DQ₀, DQ₁). DQ₀ indicates if a block is locked (1) or unlocked (0). DQ₁ indicates if a block has been Locked Down (1) or not (0).
- At power-up or device reset, all blocks default to Locked state [001] (if WP# = 0). Holding WP# = 0 is the recommended default.
- The "Erase/Program Allowed?" column shows whether Erase and Program operations are enabled (Yes) or disabled (No) in that block's current Lock state.
- The "Lock Command Input Result [Next State]" column shows the result of writing the three Lock commands (Lock, Unlock, Lock-Down) in the current Lock state. For example, "Goes To [001]" would mean that writing the command to a block in the current Lock state would change it to [001].

3.4 128-Bit Protection Register

The 3-Volt Advanced+ Boot Block architecture includes a 128-bit protection register that can be used to increase the security of a system design. For example, the number contained in the protection register can be used to "mate" the flash component with other system components, such as the CPU or ASIC, preventing device substitution. The Intel application note, *AP-657 Designing with the Advanced+ Boot Block Flash Memory Architecture*, contains additional application information.

The 128 bits of the protection register are divided into two 64-bit segments. One of the segments is programmed at the Intel factory with a unique 64-bit number, which is unchangeable. The other segment is left blank for customer designs to program, as preferred. Once the customer segment is programmed, it can be locked to prevent reprogramming.

3.4.1 Reading the Protection Register

The protection register is read in the configuration-read mode. The device is switched to this mode by writing the Read Configuration command (90H). Once in this mode, read cycles from addresses shown in [Appendix G](#) retrieve the specified information. To return to read-array mode, write the Read Array command (FFH).

3.4.2 Programming the Protection Register

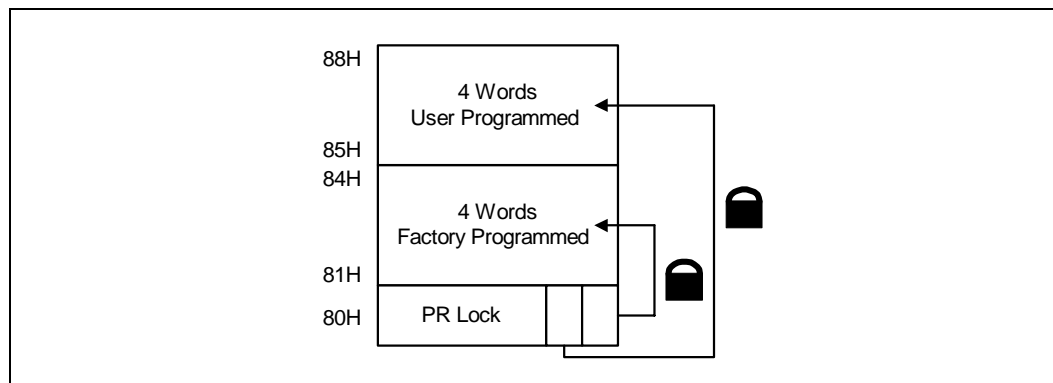
The protection register bits are programmed using the two-cycle Protection Program command. The 64-bit number is programmed 16 bits at a time for word-wide parts, and eight bits at a time for byte-wide parts.

First, write the Protection Program Setup command, C0H. The next write to the device will latch in address and data, and program the specified location. The allowable addresses are shown in Appendix G. See Figure 17, “Protection Register Programming Flowchart” on page 53. Attempts to address Protection Program commands outside the defined protection register address space should not be attempted. This space is reserved for future use. Attempting to program to a previously locked protection register segment will result in a Status Register error (Program Error bit SR.4 and Lock Error bit SR.1 will be set to 1).

3.4.3 Locking the Protection Register

The user-programmable segment of the protection register is lockable by programming Bit 1 of the PR-LOCK location to 0. Bit 0 of this location is programmed to 0 at the Intel factory to protect the unique device number. This bit is set using the Protection Program command to program “FFFD” to the PR-LOCK location. After these bits have been programmed, no further changes can be made to the values stored in the protection register. Protection Program commands to a locked section will result in a Status Register error (Program Error bit SR.4 and Lock Error bit SR.1 will be set to 1). Protection register lockout state is not reversible.

Figure 5. Protection Register Memory Map



0645_05

3.5 V_{PP} Program and Erase Voltages

Intel 3-Volt Advanced+ Boot Block products provide in-system programming and erase in the 1.65 V–3.6 V range. For fast production programming, it also includes a low-cost, backward-compatible 12-V programming feature.

3.5.1 Improved 12-Volt Production Programming

When V_{PP} is between 1.65 V and 3.6 V, all program and erase current is drawn through the V_{CC} pin. Note that if V_{PP} is driven by a logic signal, V_{IH} min = 1.65 V. That is, V_{PP} must remain above 1.65 V to perform in-system flash modifications. When V_{PP} is connected to a 12 V power supply,

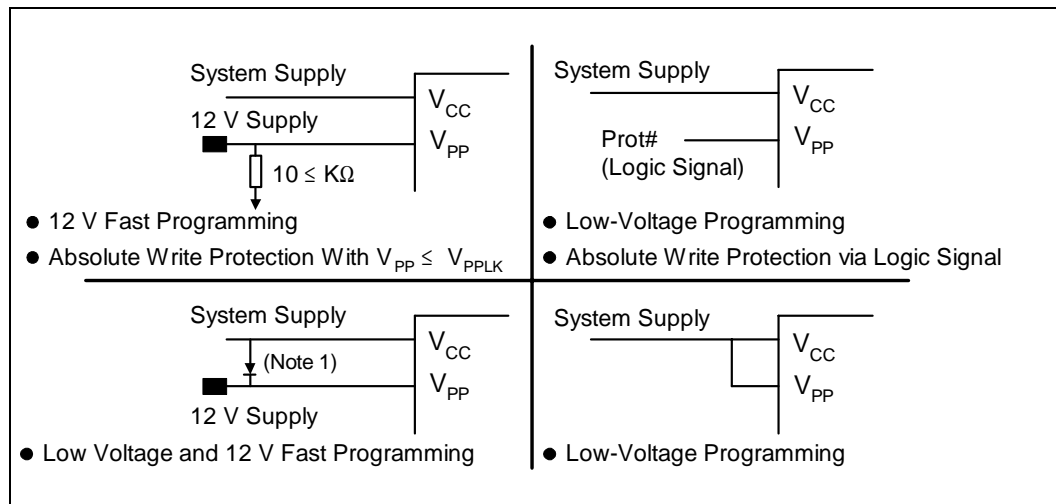
the device draws program and erase current directly from the V_{PP} pin. This eliminates the need for an external switching transistor to control the voltage V_{PP} . Figure 6 on page 22 shows examples of how the flash power supplies can be configured for various usage models.

The 12-V V_{PP} mode enhances programming performance during the short period of time typically found in manufacturing processes; however, it is not intended for extended use. 12 V may be applied to V_{PP} during Program and Erase operations for a maximum of 1000 cycles on the main blocks and 2500 cycles on the parameter blocks. V_{PP} may be connected to 12 V for a total of 80 hours maximum. Stressing the device beyond these limits may cause permanent damage.

3.5.2 $V_{PP} \leq V_{PPLK}$ for Complete Protection

In addition to the flexible block locking, the V_{PP} programming voltage can be held low for absolute hardware write protection of all blocks in the flash device. When V_{PP} is below V_{PPLK} , any Program or Erase operation will result in an error, prompting the corresponding status-register bit (SR.3) to be set.

Figure 6. Example Power Supply Configurations



NOTE:

1. A resistor can be used if the V_{CC} supply can sink adequate current based on resistor value. See AP-657 *Designing with the Advanced+ Boot Block Flash Memory Architecture* for details.

0645_06

3.6 Power Consumption

Intel Flash devices have a tiered approach to power savings that can significantly reduce overall system power consumption. The Automatic Power Savings (APS) feature reduces power consumption when the device is selected but idle. If the $CE\#$ is deasserted, the flash enters its standby mode, where current consumption is even lower. The combination of these features can minimize memory power consumption, and therefore, overall system power consumption.

3.6.1 Active Power (Program/Erase/Read)

With CE# at a logic-low level and RP# at a logic-high level, the device is in the active mode. Refer to the DC Characteristic tables for I_{CC} current values. Active power is the largest contributor to overall system power consumption. Minimizing the active current could have a profound effect on system power consumption, especially for battery-operated devices.

3.6.2 Automatic Power Savings (APS)

Automatic Power Savings provides low-power operation during read mode. After data is read from the memory array and the address lines are quiescent, APS circuitry places the device in a mode where typical current is comparable to I_{CCS} . The flash stays in this static state with outputs valid until a new location is read.

3.6.3 Standby Power

When CE# is at a logic-high level (V_{IH}) and the device is in read mode, the flash memory is in standby mode, which disables much of the device's circuitry and substantially reduces power consumption. Outputs are placed in a high-impedance state independent of the status of the OE# signal. If CE# transitions to a logic-high level during Erase or Program operations, the device will continue to perform the operation and consume corresponding active power until the operation is completed.

System engineers should analyze the breakdown of standby time versus active time, and quantify the respective power consumption in each mode for their specific application. This approach will provide a more accurate measure of application-specific power and energy requirements.

3.6.4 Deep Power-Down Mode

The deep power-down mode is activated when $RP\# = V_{IL}$ ($GND \pm 0.2 V$). During read modes, RP# going low de-selects the memory and places the outputs in a high-impedance state. Recovery from deep power-down requires a minimum time of t_{PHQV} for Read operations, and t_{PHWL}/t_{PHEL} for Write operations.

During program or erase modes, RP# transitioning low will abort the in-progress operation. The memory contents of the address being programmed or the block being erased are no longer valid as the data integrity has been compromised by the abort. During deep power-down, all internal circuits are switched to a low-power savings mode (RP# transitioning to V_{IL} or turning off power to the device clears the status register).

3.7 Power-Up/Down Operation

The device is protected against accidental block erasure or programming during power transitions. Power supply sequencing is not required, because the device is indifferent as to which power supply, V_{PP} or V_{CC} , powers-up first.

3.7.1 RP# Connected to System Reset

The use of RP# during system reset is important with automated program/erase devices since the system expects to read from the flash memory when it comes out of reset. If a CPU reset occurs without a flash memory reset, proper CPU initialization will not occur because the flash memory may be providing status information instead of array data. Intel recommends connecting RP# to the system CPU RESET# signal to allow proper CPU/flash initialization following system reset.

System designers must guard against spurious writes when V_{CC} voltages are above V_{LKO} . Because both WE# and CE# must be low for a command write, driving either signal to V_{IH} will inhibit writes to the device. The CUI architecture provides additional protection since alteration of memory contents can only occur after successful completion of the two-step command sequences. The device is also disabled until RP# is brought to V_{IH} , regardless of the state of its control inputs. By holding the device in reset (RP# connected to system POWERGOOD) during power-up/down, invalid bus conditions during power-up can be masked, providing yet another level of memory protection.

3.7.2 V_{CC} , V_{PP} and RP# Transitions

The CUI latches commands as issued by system software and is not altered by V_{PP} or CE# transitions or WSM actions. Its default state upon power-up, after exit from reset mode or after V_{CC} transitions above V_{LKO} (Lockout voltage), is read-array mode.

After any program or Block-Erase operation is complete (even after V_{PP} transitions down to V_{PPLK}), the CUI must be reset to read-array mode via the Read Array command if access to the flash-memory array is desired.

3.8 Power Supply Decoupling

Flash memory power-switching characteristics require careful device decoupling. System designers should consider the following three supply current issues:

- Standby current levels (I_{CCS})
- Read current levels (I_{CCR})
- Transient peaks produced by falling and rising edges of CE#.

Transient current magnitudes depend on the device outputs' capacitive and inductive loading. Two-line control and proper decoupling capacitor selection will suppress these transient voltage peaks. Each flash device should have a 0.1 μ F ceramic capacitor connected between each V_{CC} and GND, and between its V_{PP} and GND. These high-frequency, inherently low-inductance capacitors should be placed as close as possible to the package leads.

4.0 Electrical Specifications

4.1 Absolute Maximum Ratings

Parameter	Maximum Rating
Extended Operating Temperature	
During Read	-40 °C to +85 °C
During Block Erase and Program	-40 °C to +85 °C
Temperature under Bias	-40 °C to +85 °C
Storage Temperature	-65 °C to +125 °C
Voltage On Any Pin (except V _{CC} and V _{PP}) with Respect to GND	-0.5 V to +3.7 V ⁽¹⁾
V _{PP} Voltage (for Block Erase and Program) with Respect to GND	-0.5 V to +13.5 V ^(1,2,3)
V _{CC} and V _{CCQ} Supply Voltage with Respect to GND	-0.2 V to +3.6 V
Output Short Circuit Current	100 mA ⁽⁴⁾

NOTES:

1. Minimum DC voltage is -0.5 V on input/output pins. During transitions, this level may undershoot to -2.0 V for periods <20 ns. Maximum DC voltage on input/output pins is V_{CC} +0.5 V which, during transitions, may overshoot to V_{CC} +2.0 V for periods <20 ns.
2. Maximum DC voltage on V_{PP} may overshoot to +14.0 V for periods <20 ns.
3. V_{PP} Program voltage is normally 1.65 V–3.6 V. Connection to a 11.4 V–12.6 V supply can be done for a maximum of 1000 cycles on the main blocks and 2500 cycles on the parameter blocks during program/erase. V_{PP} may be connected to 12 V for a total of 80 hours maximum. See [Section 3.5](#) for details.
4. Output shorted for no more than one second. No more than one output shorted at a time.

NOTICE: This datasheet contains preliminary information on new products in production. Specifications are subject to change without notice. Verify with your local Intel Sales office that you have the latest datasheet before finalizing a design.

Warning: Stressing the device beyond the “Absolute Maximum Ratings” may cause permanent damage. These are stress ratings only. Operation beyond the “Operating Conditions” is not recommended and extended exposure beyond the “Operating Conditions” may affect device reliability.

4.2 Operating Conditions

Table 10. Temperature and Voltage Operating Conditions

Symbol	Parameter	Notes	Min	Max	Units
T_A	Operating Temperature		-40	+85	°C
V_{CC1}	V _{CC} Supply Voltage	1, 2	2.7	3.6	Volts
V_{CC2}		1, 2	3.0	3.6	
V_{CCQ1}	I/O Supply Voltage	1	2.7	3.6	Volts
V_{CCQ2}			1.65	2.5	
V_{CCQ3}			1.8	2.5	
V_{PP1}	Supply Voltage	1	1.65	3.6	Volts
V_{PP2}		1, 3	11.4	12.6	Volts
Cycling	Block Erase Cycling	3	100,000		Cycles

NOTES:

1. V_{CC} and V_{CCQ} must share the same supply when they are in the V_{CC1} range.
2. V_{CCMax} = 3.3 V for 0.25μm 32-Mbit devices.
3. Applying V_{PP} = 11.4 V–12.6 V during a program/erase can only be done for a maximum of 1000 cycles on the main blocks and 2500 cycles on the parameter blocks. V_{PP} may be connected to 12 V for a total of 80 hours maximum. See [Section 3.5](#) for details.

4.3 Capacitance

$T_A = 25\text{ °C}$, $f = 1\text{ MHz}$

Sym	Parameter	Notes	Typ	Max	Units	Conditions
C _{IN}	Input Capacitance	1	6	8	pF	V _{IN} = 0 V
C _{OUT}	Output Capacitance	1	10	12	pF	V _{OUT} = 0 V

NOTE:

1. Sampled, not 100% tested.

4.4 DC Characteristics

Sym	Parameter	V _{CC}	2.7 V–3.6 V		2.7 V–2.85 V		2.7 V–3.3 V		Unit	Test Conditions
		V _{CCQ}	2.7 V–3.6 V		1.65 V–2.5 V		1.8 V–2.5 V			
		Note	Typ	Max	Typ	Max	Typ	Max		
I _{LI}	Input Load Current	1,2		± 1		± 1		± 1	µA	V _{CC} = V _{CC} Max V _{CCQ} = V _{CCQ} Max V _{IN} = V _{CCQ} or GND
I _{LO}	Output Leakage Current	1,2	0.2	± 10	0.2	± 10	0.2	± 10	µA	V _{CC} = V _{CC} Max V _{CCQ} = V _{CCQ} Max V _{IN} = V _{CCQ} or GND
I _{CCS}	V _{CC} Standby Current for 0.13 and 0.18 Micron Product	1	7	15	20	50	150	250	µA	V _{CC} = V _{CC} Max CE# = RP# = V _{CCQ} or during Program/ Erase Suspend WP# = V _{CCQ} or GND
	V _{CC} Standby Current for 0.25 Micron Product	1	10	25	20	50	150	250	µA	
I _{CCD}	V _{CC} Power-Down Current for 0.13 and 0.18 Micron Product	1,2	7	15	7	20	7	20	µA	V _{CC} = V _{CC} Max V _{CCQ} = V _{CCQ} Max V _{IN} = V _{CCQ} or GND RP# = GND ± 0.2 V
	V _{CC} Power-Down Current for 0.25 Micron Product	1,2	7	25	7	25	7	25	µA	
I _{CCR}	V _{CC} Read Current for 0.13 and 0.18 Micron Product	1,2,3	9	18	8	15	9	15	mA	V _{CC} = V _{CC} Max V _{CCQ} = V _{CCQ} Max OE# = V _{IH} , CE# = V _{IL} f = 5 MHz, I _{OUT} = 0 mA Inputs = V _{IL} or V _{IH}
	V _{CC} Read Current for 0.25 Micron Product	1,2,3	10	18	8	15	9	15	mA	
I _{PPD}	V _{PP} Deep Power-Down Current	1	0.2	5	0.2	5	0.2	5	µA	RP# = GND ± 0.2 V V _{PP} ≤ V _{CC}
I _{PPR}	V _{PP} Read Current	1,4	2	±15	2	±15	2	±15	µA	V _{PP} ≤ V _{CC}
			50	200	50	200	50	200	µA	V _{PP} > V _{CC}
I _{CCW+} I _{PPW}	V _{CC} + V _{PP} Program Current for 0.13 and 0.18 Micron Product	1,4	0.05	0.1	18	55	18	55	mA	V _{PP} = V _{PP1} , Program in Progress
			8	22	10	30	10	30	mA	V _{PP} = V _{PP2} (12V) Program in Progress
	V _{CC} + V _{PP} Program Current for 0.25 Micron Product	1,4	0.05	0.1	18	55	18	55	mA	V _{PP} = V _{PP1} , Program in Progress
			8	22	10	30	10	30	mA	V _{PP} = V _{PP2} (12V) Program in Progress

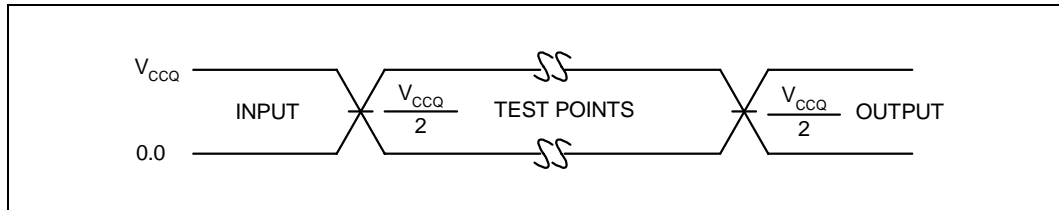
Sym	Parameter	V _{CC}	2.7 V–3.6 V		2.7 V–2.85 V		2.7 V–3.3 V		Unit	Test Conditions
		V _{CCQ}	2.7 V–3.6 V		1.65 V–2.5 V		1.8 V–2.5 V			
		Note	Typ	Max	Typ	Max	Typ	Max		
I _{CCCE} + I _{PPPE}	V _{CC} + V _{PP} Erase Current for 0.13 and 0.18 Micron Product	1,4	0.05	0.1	21	45	21	45	mA	V _{PP} = V _{PP1} , Erase in Progress
			8	22	16	45	16	45	mA	V _{PP} = V _{PP2} (12V), Erase in Progress
	V _{CC} + V _{PP} Erase Current for 0.25 Micron Product	1,4	0.05	0.1	21	45	21	45	mA	V _{PP} = V _{PP1} , Erase in Progress
			8	22	16	45	16	45	mA	V _{PP} = V _{PP2} (12V), Erase in Progress
I _{PPES} + I _{PPWS}	V _{CC} + V _{PP} Program or Erase Suspend Current for 0.13 and 0.18 Micron Product	1,4	0.05	0.1	21	45	21	45	μA	V _{PP} = V _{PP1} , Program or Erase Suspend in Progress
			50	200	50	200	50	200	μA	V _{PP} = V _{PP2} (12V), Program or Erase Suspend in Progress
	V _{CC} + V _{PP} Program or Erase Suspend Current for 0.25 Micron Product	1,4	0.05	0.1	21	45	21	45	μA	V _{PP} = V _{PP1} , Program or Erase Suspend in Progress
			50	200	50	200	50	200	μA	V _{PP} = V _{PP2} (12V), Program or Erase Suspend in Progress
V _{IL}	Input Low Voltage		-0.4	V _{CC} * 0.22 V	-0.4	0.4	-0.4	0.4	V	
V _{IH}	Input High Voltage		2.0	V _{CCQ} +0.3V	V _{CCQ} -0.4V	V _{CCQ} +0.3V	V _{CCQ} -0.4V	V _{CCQ} +0.3V	V	
V _{OL}	Output Low Voltage		-0.1	0.1	-0.1	0.1	-0.1	0.1	V	V _{CC} = V _{CCMin} V _{CCQ} = V _{CCQMin} I _{OL} = 100 μA
V _{OH}	Output High Voltage		V _{CCQ} -0.1V		V _{CCQ} -0.1V		V _{CCQ} -0.1V		V	V _{CC} = V _{CCMin} V _{CCQ} = V _{CCQMin} I _{OH} = -100 μA
V _{PPLK}	V _{PP} Lock-Out Voltage	6		1.0		1.0		1.0	V	Complete Write Protection
V _{PP1}	V _{PP} during Program / Erase Operations	6	1.65	3.6					V	
V _{PP2}		6, 7			11.4	12.6			V	
V _{LKO}	V _{CC} Prog/Erase Lock Voltage		1.5		1.5		1.5		V	
V _{LKO2}	V _{CCQ} Prog/Erase Lock Voltage		1.2		1.2		1.2		V	

NOTES:

1. All currents are in RMS unless otherwise noted. Typical values at nominal V_{CC}, T_A = +25 °C.
2. The test conditions V_{CC}Max, V_{CCQ}Max, V_{CC}Min, and V_{CCQ}Min refer to the maximum or minimum V_{CC} or V_{CCQ} voltage listed at the top of each column. V_{CC}Max = 3.3 V for 0.25μm 32-Mbit devices.
3. Automatic Power Savings (APS) reduces I_{CCR} to approximately standby levels in static operation (CMOS inputs).
4. Sampled, not 100% tested.
5. I_{CCES} and I_{CCWS} are specified with device de-selected. If device is read while in erase suspend, current draw is sum of I_{CCES} and I_{CCR}. If the device is read while in program suspend, current draw is the sum of I_{CCWS} and I_{CCR}.

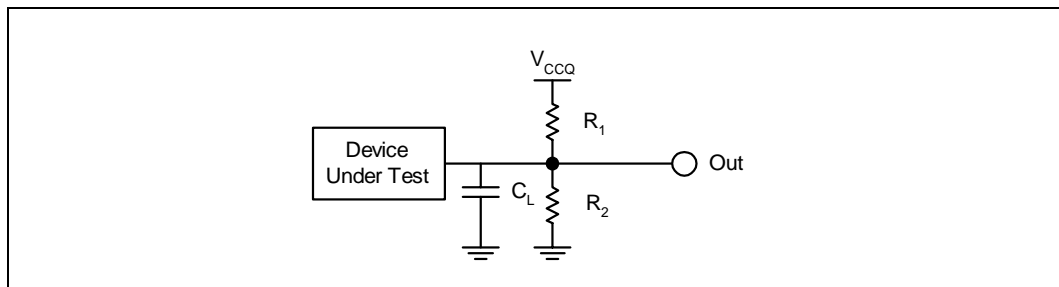
6. Erase and Program are inhibited when $V_{PP} < V_{PPLK}$ and not guaranteed outside the valid V_{PP} ranges of V_{PP1} and V_{PP2} .
7. Applying $V_{PP} = 11.4\text{ V} - 12.6\text{ V}$ during program/erase can only be done for a maximum of 1000 cycles on the main blocks and 2500 cycles on the parameter blocks. V_{PP} may be connected to 12 V for a total of 80 hours maximum. See [Section 3.4](#) for details.

Figure 7. Input/Output Reference Waveform



0645_07

Figure 8. Test Configuration



0645_08

Test Configuration	C_L (pF)	R_1 (Ω)	R_2 (Ω)
2.7 V–3.6 V Standard Test	50	25K	25K

NOTE: C_L includes jig capacitance.

4.5 AC Characteristics—Read Operations

#	Sym	Parameter	Density	8 Mbit								Unit
			Product	90 ns				110 ns				
			V _{CC}	3.0 V – 3.6 V		2.7 V – 3.6 V		3.0 V – 3.6 V		2.7 V – 3.6 V		
			Note	Min	Max	Min	Max	Min	Max	Min	Max	
R1	t _{AVAV}	Read Cycle Time		80		90		100		110		ns
R2	t _{AVQV}	Address to Output Delay			80		90		100		110	ns
R3	t _{ELQV}	CE# to Output Delay	1		80		90		100		110	ns
R4	t _{GLQV}	OE# to Output Delay	1		30		30		30		30	ns
R5	t _{PHQV}	RP# to Output Delay			150		150		150		150	ns
R6	t _{ELQX}	CE# to Output in Low Z	2	0		0		0		0		ns
R7	t _{GLQX}	OE# to Output in Low Z	2	0		0		0		0		ns
R8	t _{EHQZ}	CE# to Output in High Z	2		20		20		20		20	ns
R9	t _{GHQZ}	OE# to Output in High Z	2		20		20		20		20	ns
R10	t _{OH}	Output Hold from Address, CE#, or OE# Change, Whichever Occurs First	2	0		0		0		0		ns

NOTES:

1. OE# may be delayed up to t_{ELQV}–t_{GLQV} after the falling edge of CE# without impact on t_{ELQV}.
2. Sampled, but not 100% tested.

See [Figure 9, “AC Waveform: Read Operations”](#) on page 35.

See [Figure 7, “Input/Output Reference Waveform”](#) on page 30 for timing measurements and maximum allowable input slew rate.

AC Characteristics—Read Operations, continued

#	Sym	Parameter	Density	16 Mbit												Unit
			Product	70 ns		80 ns		90 ns				110 ns				
			V _{CC}	2.7 V–3.6 V		2.7 V–3.6 V		3.0 V–3.6 V		2.7 V–3.6 V		3.0 V–3.6 V		2.7 V–3.6 V		
				Min	Max	Min	Max	Min	Max	Min	Max	Min	Max	Min	Max	
R1	t _{AVAV}	Read Cycle Time		70		80		80		90		100		110		ns
R2	t _{AVQV}	Address to Output Delay		70		80		80		90		100		110		ns
R3	t _{ELQV}	CE# to Output Delay ⁽¹⁾		70		80		80		90		100		110		ns
R4	t _{GLQV}	OE# to Output Delay ⁽¹⁾		20		20		30		30		30		30		ns
R5	t _{PHQV}	RP# to Output Delay		150		150		150		150		150		150		ns
R6	t _{ELQX}	CE# to Output in Low Z ⁽²⁾	0		0		0		0		0		0		ns	
R7	t _{GLQX}	OE# to Output in Low Z ⁽²⁾	0		0		0		0		0		0		ns	
R8	t _{EHQZ}	CE# to Output in High Z ⁽²⁾		20		20		20		20		20		20		ns
R9	t _{GHQZ}	OE# to Output in High Z ⁽²⁾		20		20		20		20		20		20		ns
R10	t _{OH}	Output Hold from Address, CE#, or OE# Change, Whichever Occurs First ⁽²⁾	0		0		0		0		0		0		ns	

NOTES:

1. OE# may be delayed up to t_{ELQV}–t_{GLQV} after the falling edge of CE# without impact on t_{ELQV}.
2. Sampled, but not 100% tested.

See Figure 9, “AC Waveform: Read Operations” on page 35.

See Figure 7, “Input/Output Reference Waveform” on page 30 for timing measurements and maximum allowable input slew rate.

AC Characteristics—Read Operations, continued

#	Sym	Parameter	Density	32 Mbit												Unit
			Product	70 ns		90 ns		100 ns				110 ns				
			V _{CC}	2.7 V–3.6 V		2.7 V–3.6 V		3.0 V–3.3 V		2.7 V–3.3 V		3.0 V–3.3 V		2.7 V–3.3 V		
				Min	Max	Min	Max	Min	Max	Min	Max	Min	Max	Min	Max	
R1	t _{AVAV}	Read Cycle Time		70		90		90		100		100		110		ns
R2	t _{AVQV}	Address to Output Delay		70		90		90		100		100		110		ns
R3	t _{ELQV}	CE# to Output Delay ⁽¹⁾		70		90		90		100		100		110		ns
R4	t _{GLQV}	OE# to Output Delay ⁽¹⁾		20		20		30		30		30		30		ns
R5	t _{PHQV}	RP# to Output Delay		150		150		150		150		150		150		ns
R6	t _{ELQX}	CE# to Output in Low Z ⁽²⁾	0		0		0		0		0		0		0	ns
R7	t _{GLQX}	OE# to Output in Low Z ⁽²⁾	0		0		0		0		0		0		0	ns
R8	t _{EHQZ}	CE# to Output in High Z ⁽²⁾		20		20		20		20		20		20		ns
R9	t _{GHQZ}	OE# to Output in High Z ⁽²⁾		20		20		20		20		20		20		ns
R10	t _{OH}	Output Hold from Address, CE#, or OE# Change, Whichever Occurs First ⁽²⁾	0		0		0		0		0		0		0	ns

NOTES:

1. OE# may be delayed up to t_{ELQV}–t_{GLQV} after the falling edge of CE# without impact on t_{ELQV}.
2. Sampled, but not 100% tested.

See Figure 9, “AC Waveform: Read Operations” on page 35.

See Figure 7, “Input/Output Reference Waveform” on page 30 for timing measurements and maximum allowable input slew rate.

AC Characteristics—Read Operations, continued

#	Sym	Parameter	Density		64 Mbit				Unit
			Product		80 ns		100 ns		
			V _{CC}		2.7 V–3.6 V		2.7 V–3.6 V		
	Note	Min	Max	Min	Max				
R1	t _{AVAV}	Read Cycle Time		80		100		ns	
R2	t _{AVQV}	Address to Output Delay			80		100	ns	
R3	t _{ELQV}	CE# to Output Delay	1		80		100	ns	
R4	t _{GLQV}	OE# to Output Delay	1		20		20	ns	
R5	t _{PHQV}	RP# to Output Delay			150		150	ns	
R6	t _{ELQX}	CE# to Output in Low Z	2	0		0		ns	
R7	t _{GLQX}	OE# to Output in Low Z	2	0		0		ns	
R8	t _{EHQZ}	CE# to Output in High Z	2		20		20	ns	
R9	t _{GHQZ}	OE# to Output in High Z	2		20		20	ns	
R10	t _{OH}	Output Hold from Address, CE#, or OE# Change, Whichever Occurs First	2	0		0		ns	

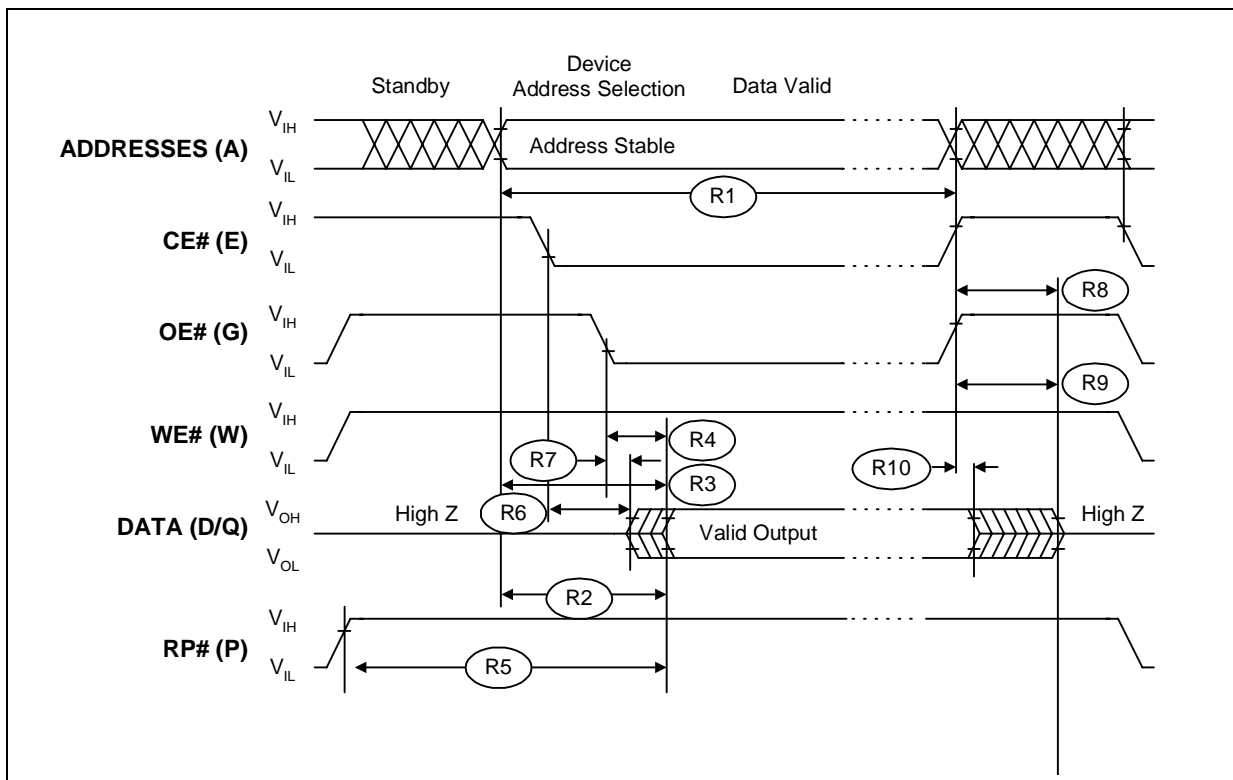
NOTES:

1. OE# may be delayed up to t_{ELQV}–t_{GLQV} after the falling edge of CE# without impact on t_{ELQV}.
2. Sampled, but not 100% tested.

See Figure 9, “AC Waveform: Read Operations” on page 35.

See Figure 7, “Input/Output Reference Waveform” on page 30 for timing measurements and maximum allowable input slew rate.

Figure 9. AC Waveform: Read Operations



4.6 AC Characteristics—Write Operations

#	Sym	Parameter	Density		8 Mbit				Unit
			Product		90 ns		110 ns		
			3.0 V – 3.6 V		80		100		
			2.7 V – 3.6 V			90		110	
			Note	Min	Min	Min	Min		
W1	t_{PHWL} / t_{PHEL}	RP# High Recovery to WE# (CE#) Going Low		150	150	150	150	ns	
W2	t_{ELWL} / t_{WLEL}	CE# (WE#) Setup to WE# (CE#) Going Low		0	0	0	0	ns	
W3	t_{WLWH} / t_{ELEH}	WE# (CE#) Pulse Width	1	50	60	70	70	ns	
W4	t_{DVWH} / t_{DVEH}	Data Setup to WE# (CE#) Going High	2	50	50	60	60	ns	
W5	t_{AVWH} / t_{AVEH}	Address Setup to WE# (CE#) Going High	2	50	60	70	70	ns	
W6	t_{WHEH} / t_{EHWH}	CE# (WE#) Hold Time from WE# (CE#) High		0	0	0	0	ns	
W7	t_{WHDX} / t_{EHDX}	Data Hold Time from WE# (CE#) High	2	0	0	0	0	ns	
W8	t_{WHAX} / t_{EHAX}	Address Hold Time from WE# (CE#) High	2	0	0	0	0	ns	
W9	t_{WHWL} / t_{EHEL}	WE# (CE#) Pulse Width High	1	30	30	30	30	ns	
W10	t_{VPWH} / t_{VPEH}	V _{PP} Setup to WE# (CE#) Going High	3	200	200	200	200	ns	
W11	t_{QVVL}	V _{PP} Hold from Valid SRD	3	0	0	0	0	ns	
W12	t_{BHWH} / t_{BHEH}	WP# Setup to WE# (CE#) Going High	3	0	0	0	0	ns	
W13	t_{QVBL}	WP# Hold from Valid SRD	3	0	0	0	0	ns	
W14	t_{WHGL}	WE# High to OE# Going Low	3	30	30	30	30	ns	

NOTES:

- Write pulse width (t_{WP}) is defined from CE# or WE# going low (whichever goes low last) to CE# or WE# going high (whichever goes high first). Hence, $t_{WP} = t_{WLWH} = t_{ELEH} = t_{WLEH} = t_{ELWH}$. Similarly, write pulse width high (t_{WPH}) is defined from CE# or WE# going high (whichever goes high first) to CE# or WE# going low (whichever goes low first). Hence, $t_{WPH} = t_{WHWL} = t_{EHEL} = t_{WHEL} = t_{EHWL}$.
- Refer to [Table 5, "Command Bus Operations"](#) on page 15 for valid A_{IN} or D_{IN}.
- Sampled, but not 100% tested.

Write timing characteristics during erase suspend are the same as during Write-only operations. See [Figure 7, "Input/Output Reference Waveform"](#) on page 30 for timing measurements and maximum allowable input slew rate.

See [Figure 9, "AC Waveform: Read Operations"](#) on page 35.

- V_{CC}Max = 3.3 V for 32-Mbit and 64-Mbit densities.

AC Characteristics—Write Operations, continued

#	Sym	Parameter	Density		16 Mbit						Unit
			Product		70 ns	80 ns	90 ns		110 ns		
			3.0 V – 3.6 V				80		100		
			2.7 V – 3.6 V		70	80		90		110	
			Note	Min	Min	Min	Min	Min	Min		
W1	t_{PHWL} / t_{PHEL}	RP# High Recovery to WE# (CE#) Going Low		150	150	150	150	150	150	ns	
W2	t_{ELWL} / t_{WLEL}	CE# (WE#) Setup to WE# (CE#) Going Low		0	0	0	0	0	0	ns	
W3	t_{WLWH} / t_{ELEH}	WE# (CE#) Pulse Width	1	45	50	50	60	70	70	ns	
W4	t_{DVWH} / t_{DVEH}	Data Setup to WE# (CE#) Going High	2	40	40	50	50	60	60	ns	
W5	t_{AVWH} / t_{AVEH}	Address Setup to WE# (CE#) Going High	2	50	50	50	60	70	70	ns	
W6	t_{WHEH} / t_{EHWH}	CE# (WE#) Hold Time from WE# (CE#) High		0	0	0	0	0	0	ns	
W7	t_{WHDX} / t_{EHDX}	Data Hold Time from WE# (CE#) High	2	0	0	0	0	0	0	ns	
W8	t_{WHAX} / t_{EHAX}	Address Hold Time from WE# (CE#) High	2	0	0	0	0	0	0	ns	
W9	t_{WHWL} / t_{EHEL}	WE# (CE#) Pulse Width High	1	25	30	30	30	30	30	ns	
W10	t_{VPWH} / t_{VPEH}	V _{PP} Setup to WE# (CE#) Going High	3	200	200	200	200	200	200	ns	
W11	t_{QVVL}	V _{PP} Hold from Valid SRD	3	0	0	0	0	0	0	ns	
W12	t_{BHWH} / t_{BHEH}	WP# Setup to WE# (CE#) Going High	3	0	0	0	0	0	0	ns	
W13	t_{QVBL}	WP# Hold from Valid SRD	3	0	0	0	0	0	0	ns	
W14	t_{WHGL}	WE# High to OE# Going Low	3	30	30	30	30	30	30	ns	

NOTES:

- Write pulse width (t_{WP}) is defined from CE# or WE# going low (whichever goes low last) to CE# or WE# going high (whichever goes high first). Hence, $t_{WP} = t_{WLWH} = t_{ELEH} = t_{WLEH} = t_{ELWH}$. Similarly, write pulse width high (t_{WPH}) is defined from CE# or WE# going high (whichever goes high first) to CE# or WE# going low (whichever goes low first). Hence, $t_{WPH} = t_{WHWL} = t_{EHEL} = t_{WHEL} = t_{EHWL}$.
- Refer to [Table 5, "Command Bus Operations" on page 15](#) for valid A_{IN} or D_{IN}.
- Sampled, but not 100% tested.

Write timing characteristics during erase suspend are the same as during Write-only operations. See [Figure 7, "Input/Output Reference Waveform" on page 30](#) for timing measurements and maximum allowable input slew rate.

See [Figure 9, "AC Waveform: Read Operations" on page 35](#).

- V_{CC}Max = 3.3 V for 32-Mbit and 64-Mbit densities.

AC Characteristics—Write Operations, continued

#	Sym	Parameter	Density	32 Mbit						Unit
			Product	70 ns	90 ns	100 ns		110 ns		
			3.0 V – 3.6 V ⁽⁴⁾			90		100		
			2.7 V – 3.6 V ⁽⁴⁾	70	90		100		110	
			Note	Min	Min	Min	Min	Min	Min	
W1	t_{PHWL} / t_{PHEL}	RP# High Recovery to WE# (CE#) Going Low		150	150	150	150	150	150	ns
W2	t_{ELWL} / t_{WLEL}	CE# (WE#) Setup to WE# (CE#) Going Low		0	0	0	0	0	0	ns
W3	t_{WLWH} / t_{ELEH}	WE# (CE#) Pulse Width	1	45	60	60	70	70	70	ns
W4	t_{DVVH} / t_{DVEH}	Data Setup to WE# (CE#) Going High	2	40	40	50	60	60	60	ns
W5	t_{AVWH} / t_{AVEH}	Address Setup to WE# (CE#) Going High	2	50	60	60	70	70	70	ns
W6	t_{WHEH} / t_{EHWH}	CE# (WE#) Hold Time from WE# (CE#) High		0	0	0	0	0	0	ns
W7	t_{WHDH} / t_{EHDX}	Data Hold Time from WE# (CE#) High	2	0	0	0	0	0	0	ns
W8	t_{WHAX} / t_{EHAX}	Address Hold Time from WE# (CE#) High	2	0	0	0	0	0	0	ns
W9	t_{WHWL} / t_{EHEL}	WE# (CE#) Pulse Width High	1	25	30	30	30	30	30	ns
W10	t_{VPWH} / t_{VPEH}	V _{PP} Setup to WE# (CE#) Going High	3	200	200	200	200	200	200	ns
W11	t_{QVVL}	V _{PP} Hold from Valid SRD	3	0	0	0	0	0	0	ns
W12	t_{BHWL} / t_{BHEL}	WP# Setup to WE# (CE#) Going High	3	0	0	0	0	0	0	ns
W13	t_{QVBL}	WP# Hold from Valid SRD	3	0	0	0	0	0	0	ns
W14	t_{WHGL}	WE# High to OE# Going Low	3	30	30	30	30	30	30	ns

NOTES:

- Write pulse width (t_{WP}) is defined from CE# or WE# going low (whichever goes low last) to CE# or WE# going high (whichever goes high first). Hence, $t_{WP} = t_{WLWH} = t_{ELEH} = t_{WLEH} = t_{ELWH}$. Similarly, write pulse width high (t_{WPH}) is defined from CE# or WE# going high (whichever goes high first) to CE# or WE# going low (whichever goes low first). Hence, $t_{WPH} = t_{WHWL} = t_{EHEL} = t_{WHEL} = t_{EHWL}$.
- Refer to Table 5, "Command Bus Operations" on page 15 for valid A_{IN} or D_{IN} .
- Sampled, but not 100% tested.

Write timing characteristics during erase suspend are the same as during Write-only operations.
See Figure 7, "Input/Output Reference Waveform" on page 30 for timing measurements and maximum allowable input slew rate.

See Figure 9, "AC Waveform: Read Operations" on page 35.

- $V_{CCMax} = 3.3$ V for 0.25 μ m 32-Mbit devices.

AC Characteristics—Write Operations, continued

#	Sym	Parameter	Density	64 Mbit		Unit	
			Product	80 ns	100 ns		
			2.7 V – 3.6 V	80	100		
			Note	Min	Min		
W1	t_{PHWL} / t_{PHEL}	RP# High Recovery to WE# (CE#) Going Low			150	150	ns
W2	t_{ELWL} / t_{WLEL}	CE# (WE#) Setup to WE# (CE#) Going Low			0	0	ns
W3	t_{WLWH} / t_{ELEH}	WE# (CE#) Pulse Width	1		60	70	ns
W4	t_{DVWH} / t_{DVEH}	Data Setup to WE# (CE#) Going High	2		40	40	ns
W5	t_{AVWH} / t_{AVEH}	Address Setup to WE# (CE#) Going High	2		60	60	ns
W6	t_{WHEH} / t_{EHWH}	CE# (WE#) Hold Time from WE# (CE#) High			0	0	ns
W7	t_{WHDX} / t_{EHDX}	Data Hold Time from WE# (CE#) High	2		0	0	ns
W8	t_{WHAX} / t_{EHAX}	Address Hold Time from WE# (CE#) High	2		0	0	ns
W9	t_{WHWL} / t_{EHEL}	WE# (CE#) Pulse Width High	1		30	30	ns
W10	t_{VPWH} / t_{VPEH}	V _{PP} Setup to WE# (CE#) Going High	3		200	200	ns
W11	t_{QVVL}	V _{PP} Hold from Valid SRD	3		0	0	ns
W12	t_{BHWH} / t_{BHEH}	WP# Setup to WE# (CE#) Going High	3		0	0	ns
W13	t_{QVBL}	WP# Hold from Valid SRD	3		0	0	ns
W14	t_{WHGL}	WE# High to OE# Going Low	3		30	30	ns

NOTES:

- Write pulse width (t_{WP}) is defined from CE# or WE# going low (whichever goes low last) to CE# or WE# going high (whichever goes high first). Hence, $t_{WP} = t_{WLWH} = t_{ELEH} = t_{WLEH} = t_{ELWH}$. Similarly, write pulse width high (t_{WPH}) is defined from CE# or WE# going high (whichever goes high first) to CE# or WE# going low (whichever goes low first). Hence, $t_{WPH} = t_{WHWL} = t_{EHEL} = t_{WHEL} = t_{EHWL}$.
- Refer to [Table 5, “Command Bus Operations” on page 15](#) for valid A_{IN} or D_{IN}.
- Sampled, but not 100% tested.

Write timing characteristics during erase suspend are the same as during Write-only operations. See [Figure 7, “Input/Output Reference Waveform” on page 30](#) for timing measurements and maximum allowable input slew rate. See [Figure 9, “AC Waveform: Read Operations” on page 35](#).

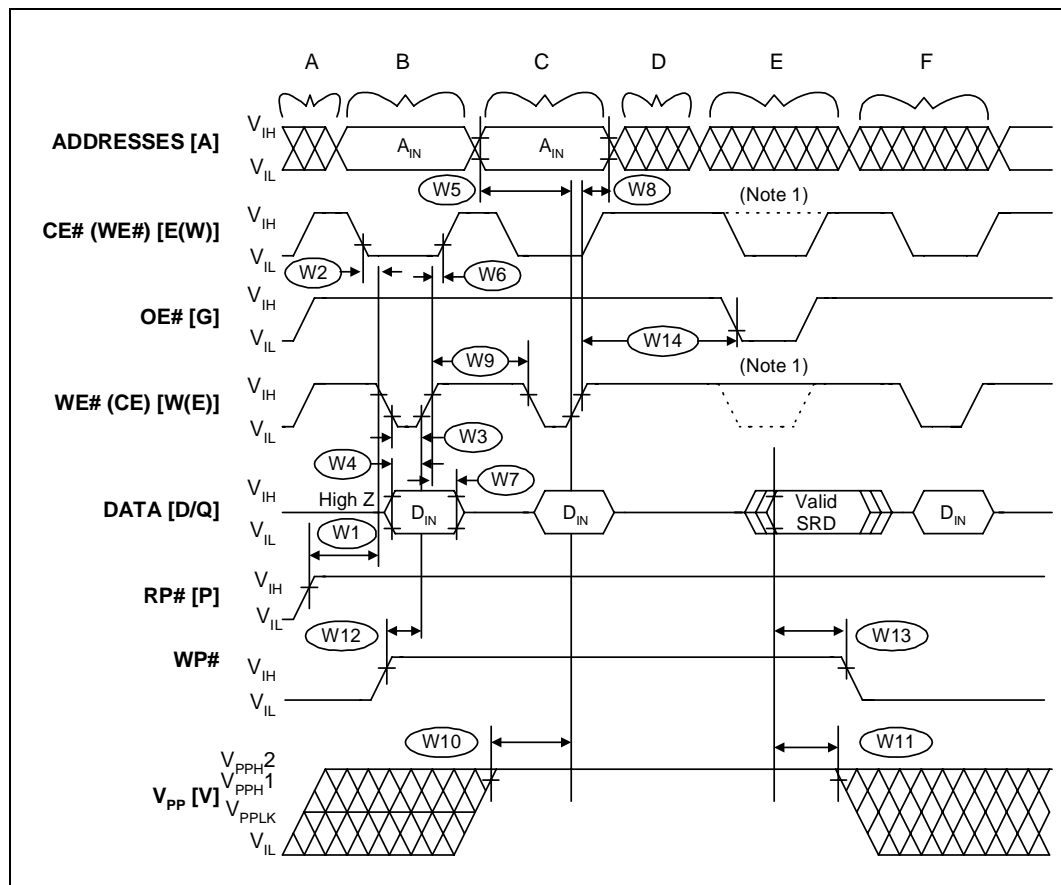
4.7 Erase and Program Timings

Symbol	Parameter	V _{PP}	1.65 V–3.6 V		11.4 V–12.6 V		Unit
		Note	Typ ⁽¹⁾	Max	Typ ⁽¹⁾	Max	
t _{BWPB}	4-KW Parameter Block Word Program Time	2, 3	0.10	0.30	0.03	0.12	s
t _{BWMB}	32-KW Main Block Word Program Time	2, 3	0.8	2.4	0.24	1	s
t _{WHQV1} / t _{EHQV1}	Word Program Time for 0.13 and 0.18 Micron Product	2, 3	12	200	8	185	μs
	Word Program Time for 0.25 Micron Product	2, 3	22	200	8	185	μs
t _{WHQV2} / t _{EHQV2}	4-KW Parameter Block Erase Time	2, 3	0.5	4	0.4	4	s
t _{WHQV3} / t _{EHQV3}	32-KW Main Block Erase Time	2, 3	1	5	0.6	5	s
t _{WHRH1} / t _{EHRH1}	Program Suspend Latency	3	5	10	5	10	μs
t _{WHRH2} / t _{EHRH2}	Erase Suspend Latency	3	5	20	5	20	μs

NOTES:

1. Typical values measured at T_A = +25 °C and nominal voltages.
2. Excludes external system-level overhead.
3. Sampled, but not 100% tested.

Figure 10. AC Waveform: Program and Erase Operations



NOTES:

1. CE# must be toggled low when reading Status Register Data. WE# must be inactive (high) when reading Status Register Data.
- a. V_{CC} Power-Up and Standby.
 - b. Write Program or Erase Setup Command.
 - c. Write Valid Address and Data (for Program) or Erase Confirm Command.
 - d. Automated Program or Erase Delay.
 - e. Read Status Register Data (SRD): reflects completed Program/Erase operation.
 - f. Write Read Array Command.

4.8 Reset Operations

Figure 11. AC Waveform: Reset Operations

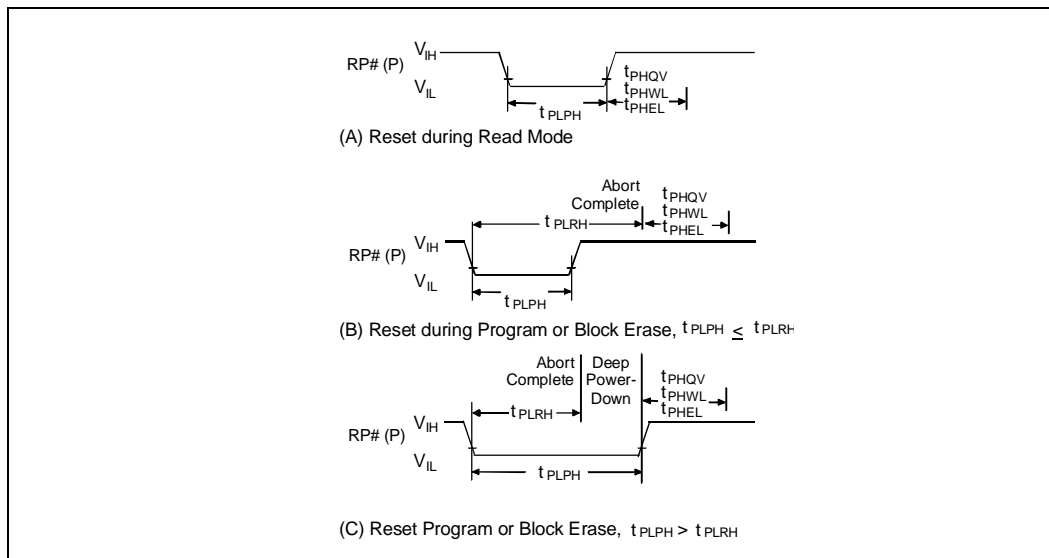


Table 11. Reset Specifications

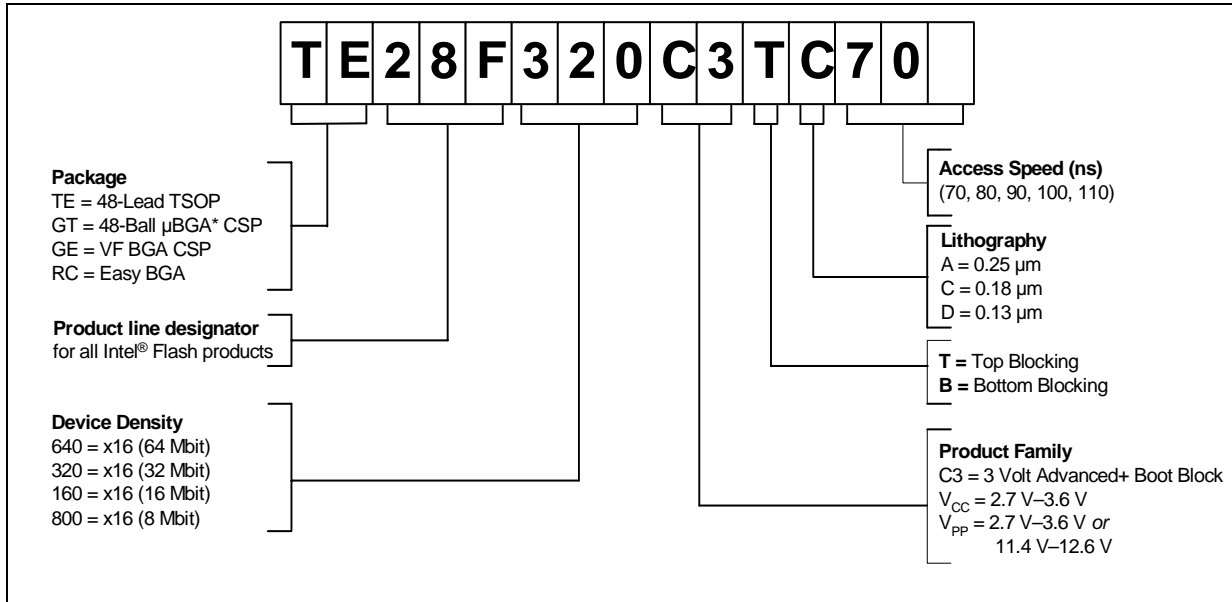
Symbol	Parameter	Notes	$V_{CC} 2.7 V - 3.6 V$		Unit
			Min	Max	
t_{PLPH}	RP# Low to Reset during Read (If RP# is tied to V_{CC} , this specification is not applicable)	2,4	100		ns
t_{PLRH1}	RP# Low to Reset during Block Erase	3,4		22	μs
t_{PLRH2}	RP# Low to Reset during Program	3,4		12	μs

NOTES:

1. If t_{PLPH} is < 100 ns the device may still reset but this is not guaranteed.
2. If RP# is asserted while a Block Erase or Word Program operation is not executing, the reset will complete within 100 ns.
3. Sampled, but not 100% tested.

See Section 3.1.4 for a full description of these conditions.

5.0 Ordering Information



VALID COMBINATIONS (All Extended Temperature)

	48-Lead TSOP	48-Ball μ BGA* CSP	48-Ball VF BGA	Easy BGA
Extended 64 Mbit	TE28F640C3TC80 TE28F640C3BC80		GE28F640C3TC80 GE28F640C3BC80	RC28F640C3TC80 RC28F640C3BC80
	TE28F640C3TC100 TE28F640C3BC100		GE28F640C3TC100 GE28F640C3BC100	RC28F640C3TC100 RC28F640C3BC100
Extended 32 Mbit	TE28F320C3TC90 TE28F320C3BC90		GE28F320C3TD70 GE28F320C3BD70 GE28F320C3TC90 GE28F320C3BC90	RC28F320C3TD70 RC28F320C3BD70 RC28F320C3TC90 RC28F320C3BC90
	TE28F320C3TA100 TE28F320C3BA100	GT28F320C3TA100 GT28F320C3BA100		RC28F320C3TA100 RC28F320C3BA100
	TE28F320C3TA110 TE28F320C3BA110	GT28F320C3TA110 GT28F320C3BA110		RC28F320C3TA110 RC28F320C3BA110
Extended 16 Mbit	TE28F160C3TC70 TE28F160C3BC70		GE28F160C3TC70 GE28F160C3BC70	RC28F160C3TC70 RC28F160C3BC70
	TE28F160C3TC80 TE28F160C3BC80		GE28F160C3TC80 GE28F160C3BC80	RC28F160C3TC80 RC28F160C3BC80
	TE28F160C3TA90 TE28F160C3BA90	GT28F160C3TA90 GT28F160C3BA90		RC28F160C3TA90 RC28F160C3BA90
Extended 8 Mbit	TE28F800C3TA110 TE28F800C3BA110			RC28F800C3TA110 RC28F800C3BA110
	TE28F800C3TA90 TE28F800C3BA90			RC28F800C3TA90 RC28F800C3BA90

NOTE:



1. The second line of the 48-ball μ BGA package top side mark specifies assembly codes. For samples only, the first character signifies either "E" for engineering samples or "S" for silicon daisy chain samples. All other assembly codes without an "E" or "S" as the first character are production units.

6.0 Additional Information

Order Number	Document/Tool
297938	<i>3 Volt Advanced+ Boot Block Flash Memory Specification Update</i>
292216	<i>AP-658 Designing for Upgrade to the Advanced+ Boot Block Flash Memory</i>
292215	<i>AP-657 Designing with the Advanced+ Boot Block Flash Memory Architecture</i>
Contact your Intel Representative	<i>Intel® Flash Data Integrator (IFDI) Software Developer's Kit</i>
297874	<i>IFDI Interactive: Play with Intel® Flash Data Integrator on Your PC</i>

NOTES:

1. Please call the Intel Literature Center at (800) 548-4725 to request Intel documentation. International customers should contact their local Intel or distribution sales office.
2. Visit Intel's World Wide Web home page at '<http://www.intel.com/design/flash>' for technical documentation and tools.



Appendix A WSM Current/Next States, Sheet 1 of 2

Current State	SR. 7	Data When Read	Command Input (and Next State)								
			Read Array (FFH)	Program Setup (10/40H)	Erase Setup (20H)	Erase Confirm (D0H)	Prog/Ers Suspend (B0H)	Prog/Ers Resume (D0)	Read Status (70H)	Clear Status (50H)	
Read Array	"1"	Array	Read Array	Prog. Setup	Ers. Setup	Read Array			Read Sts.	Read Array	
Read Status	"1"	Status	Read Array	Prog. Setup	Ers. Setup	Read Array			Read Sts.	Read Array	
Read Config.	"1"	Config	Read Array	Prog. Setup	Ers. Setup	Read Array			Read Sts.	Read Array	
Read Query	"1"	CFI	Read Array	Prog. Setup	Ers. Setup	Read Array			Read Sts.	Read Array	
Lock Setup	"1"	Status	Lock Command Error			Lock (Done)	Lock Cmd. Error	Lock (Done)	Lock Cmd. Error		
Lock Cmd. Error	"1"	Status	Read Array	Prog. Setup	Ers. Setup	Read Array			Read Sts.	Read Array	
Lock Oper. (Done)	"1"	Status	Read Array	Prog. Setup	Ers. Setup	Read Array			Read Sts.	Read Array	
Prot. Prog. Setup	"1"	Status	Protection Register Program								
Prot. Prog. (Not Done)	"0"	Status	Protection Register Program (Not Done)								
Prot. Prog. (Done)	"1"	Status	Read Array	Prog. Setup	Ers. Setup	Read Array			Read Sts.	Read Array	
Prog. Setup	"1"	Status	Program								
Program (Not Done)	"0"	Status	Program (Not Done)				Prog. Sus. Status	Program (Not Done)			
Prog. Susp. Status	"1"	Status	Prog. Sus. Read Array	Program Suspend Read Array		Prog. (Not Done)	Prog. Sus. Rd. Array	Program (Not Done)	Prog. Sus. Status	Prog. Sus. Rd. Array	
Prog. Susp. Read Array	"1"	Array	Prog. Sus. Read Array	Program Suspend Read Array		Prog. (Not Done)	Prog. Sus. Rd. Array	Program (Not Done)	Prog. Sus. Status	Prog. Sus. Rd. Array	
Prog. Susp. Read Config	"1"	Config	Prog. Sus. Read Array	Program Suspend Read Array		Prog. (Not Done)	Prog. Sus. Rd. Array	Program (Not Done)	Prog. Sus. Status	Prog. Sus. Rd. Array	
Prog. Susp. Read Query	"1"	CFI	Prog. Sus. Read Array	Program Suspend Read Array		Prog. (Not Done)	Prog. Sus. Rd. Array	Program (Not Done)	Prog. Sus. Status	Prog. Sus. Rd. Array	
Program (Done)	"1"	Status	Read Array	Prog. Setup	Ers. Setup	Read Array			Read Status	Read Array	
Erase Setup	"1"	Status	Erase Command Error			Erase (Not Done)	Erase Cmd. Error	Erase (Not Done)	Erase Command Error		
Erase Cmd. Error	"1"	Status	Read Array	Prog. Setup	Ers. Setup	Read Array			Read Status	Read Array	
Erase (Not Done)	"0"	Status	Erase (Not Done)				Erase Sus. Status	Erase (Not Done)			
Ers. Susp. Status	"1"	Status	Erase Sus. Read Array	Prog. Setup	Ers. Sus. Rd. Array	Erase	Ers. Sus. Rd. Array	Erase	Erase Sus. Status	Ers. Sus. Rd. Array	
Erase Susp. Array	"1"	Array	Erase Sus. Read Array	Prog. Setup	Ers. Sus. Rd. Array	Erase	Ers. Sus. Rd. Array	Erase	Erase Sus. Status	Ers. Sus. Rd. Array	
Ers. Susp. Read Config	"1"	Config	Erase Sus. Read Array	Prog. Setup	Ers. Sus. Rd. Array	Erase	Ers. Sus. Rd. Array	Erase	Erase Sus. Status	Ers. Sus. Rd. Array	
Ers. Susp. Read Query	"1"	CFI	Erase Sus. Read Array	Prog. Setup	Ers. Sus. Rd. Array	Erase	Ers. Sus. Rd. Array	Erase	Erase Sus. Status	Ers. Sus. Rd. Array	
Erase (Done)	"1"	Status	Read Array	Prog. Setup	Ers. Setup	Read Array			Read Sts.	Read Array	

Appendix A: WSM Current/Next States, Sheet 2 of 2

Current State	Command Input (and Next State)						
	Read Config (90H)	Read Query (98H)	Lock Setup (60H)	Prot. Prog. Setup (C0H)	Lock Confirm (01H)	Lock Down Confirm (2FH)	Unlock Confirm (D0H)
Read Array	Read Config.	Read Query	Lock Setup	Prot. Prog. Setup	Read Array		
Read Status	Read Config.	Read Query	Lock Setup	Prot. Prog. Setup	Read Array		
Read Config.	Read Config.	Read Query	Lock Setup	Prot. Prog. Setup	Read Array		
Read Query	Read Config.	Read Query	Lock Setup	Prot. Prog. Setup	Read Array		
Lock Setup	Locking Command Error				Lock Operation (Done)		
Lock Cmd. Error	Read Config.	Read Query	Lock Setup	Prot. Prog. Setup	Read Array		
Lock Oper. (Done)	Read Config.	Read Query	Lock Setup	Prot. Prog. Setup	Read Array		
Prot. Prog. Setup	Protection Register Program						
Prot. Prog. (Not Done)	Protection Register Program (Not Done)						
Prot. Prog. (Done)	Read Config.	Read Query	Lock Setup	Prot. Prog. Setup	Read Array		
Prog. Setup	Program						
Program (Not Done)	Program (Not Done)						
Prog. Susp. Status	Prog. Susp. Read Config.	Prog. Susp. Read Query	Program Suspend Read Array				Program (Not Done)
Prog. Susp. Read Array	Prog. Susp. Read Config.	Prog. Susp. Read Query	Program Suspend Read Array				Program (Not Done)
Prog. Susp. Read Config.	Prog. Susp. Read Config.	Prog. Susp. Read Query	Program Suspend Read Array				Program (Not Done)
Prog. Susp. Read Query.	Prog. Susp. Read Config.	Prog. Susp. Read Query	Program Suspend Read Array				Program (Not Done)
Program (Done)	Read Config.	Read Query	Lock Setup	Prot. Prog. Setup	Read Array		
Erase Setup	Erase Command Error					Erase (Not Done)	
Erase Cmd. Error	Read Config.	Read Query	Lock Setup	Prot. Prog. Setup	Read Array		
Erase (Not Done)	Erase (Not Done)						
Erase Susp. Status	Ers. Susp. Read Config.	Erase Suspend Read Query	Lock Setup	Erase Suspend Read Array			Erase (Not Done)
Erase Suspend Array	Ers. Susp. Read Config.	Erase Suspend Read Query	Lock Setup	Erase Suspend Read Array			Erase (Not Done)
Eras Sus. Read Config	Erase Suspend Read Config.	Erase Suspend Read Query	Lock Setup	Erase Suspend Read Array			Erase (Not Done)
Eras Sus. Read Query	Erase Suspend Read Config.	Erase Suspend Read Query	Lock Setup	Erase Suspend Read Array			Erase (Not Done)
Ers.(Done)	Read Config.	Read Query	Lock Setup	Prot. Prog. Setup	Read Array		

Appendix B Program/Erase Flowcharts

Figure 12. Automated Word Programming Flowchart

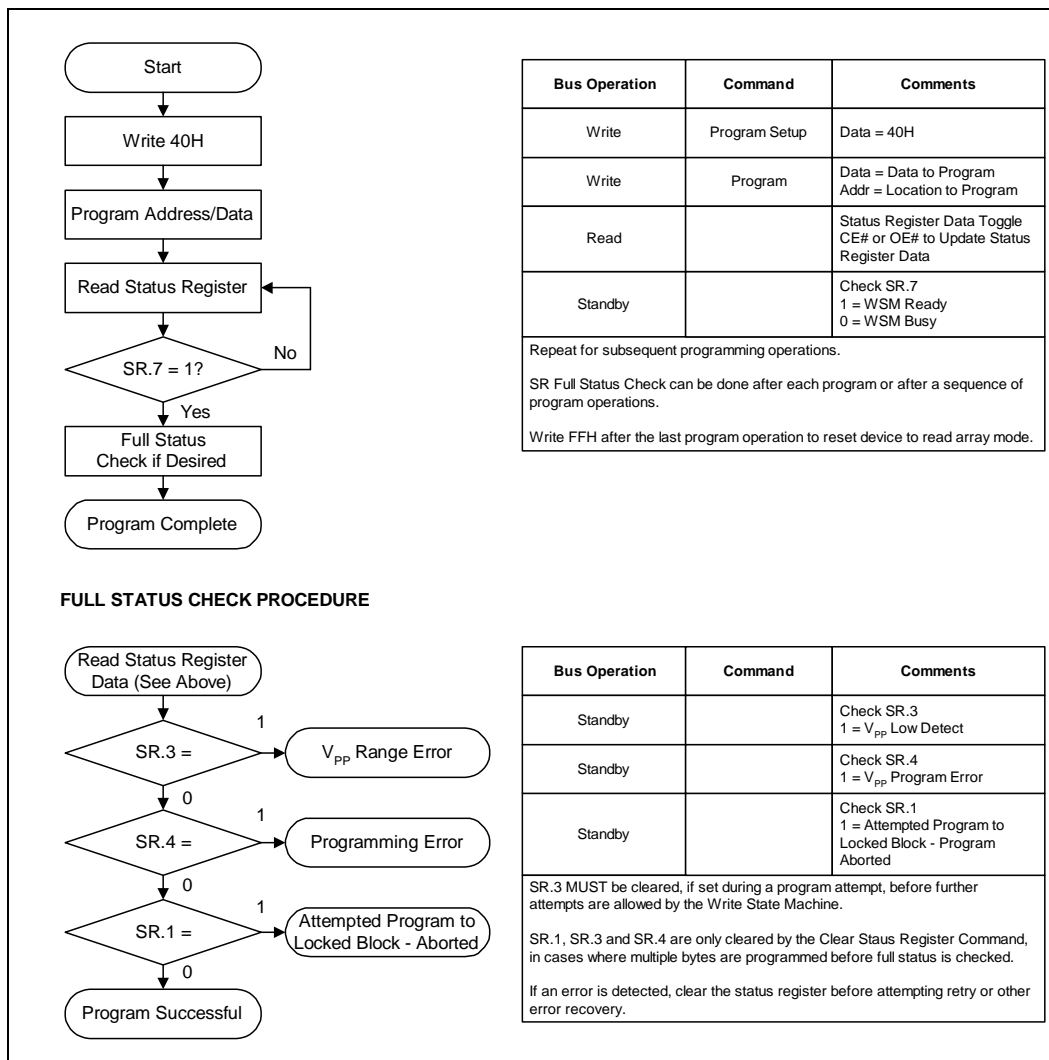


Figure 13. Program Suspend/Resume Flowchart

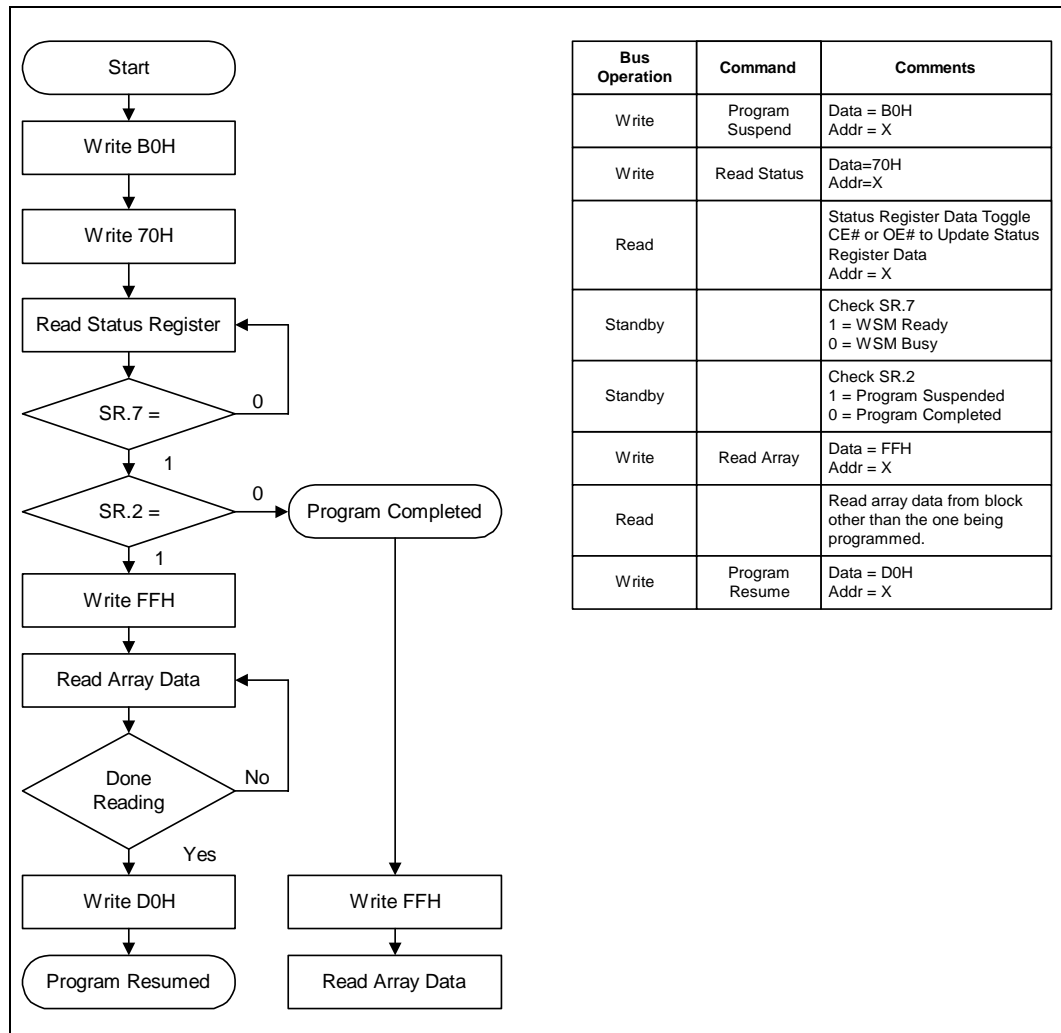


Figure 14. Automated Block Erase Flowchart

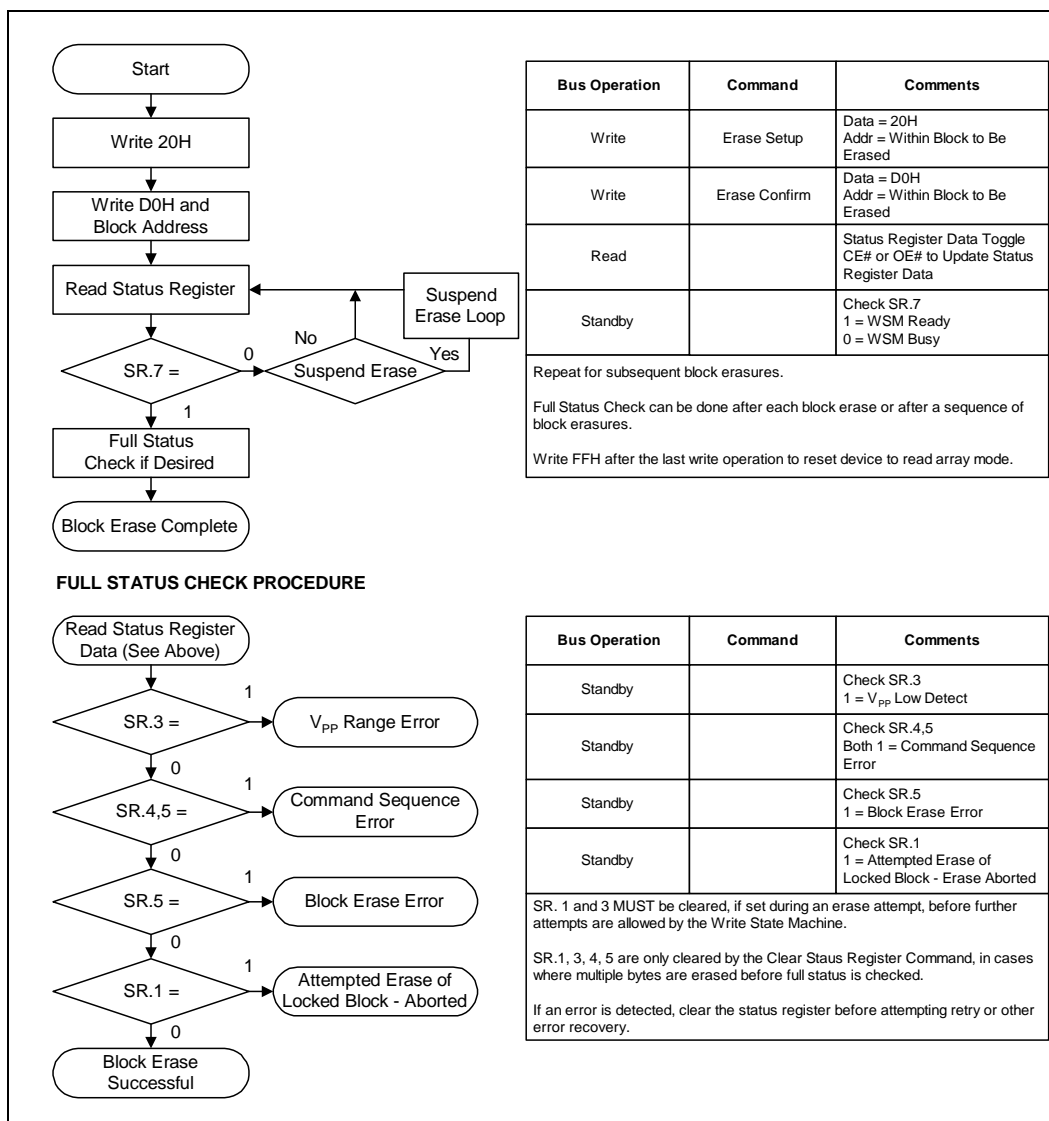


Figure 15. Erase Suspend/Resume Flowchart

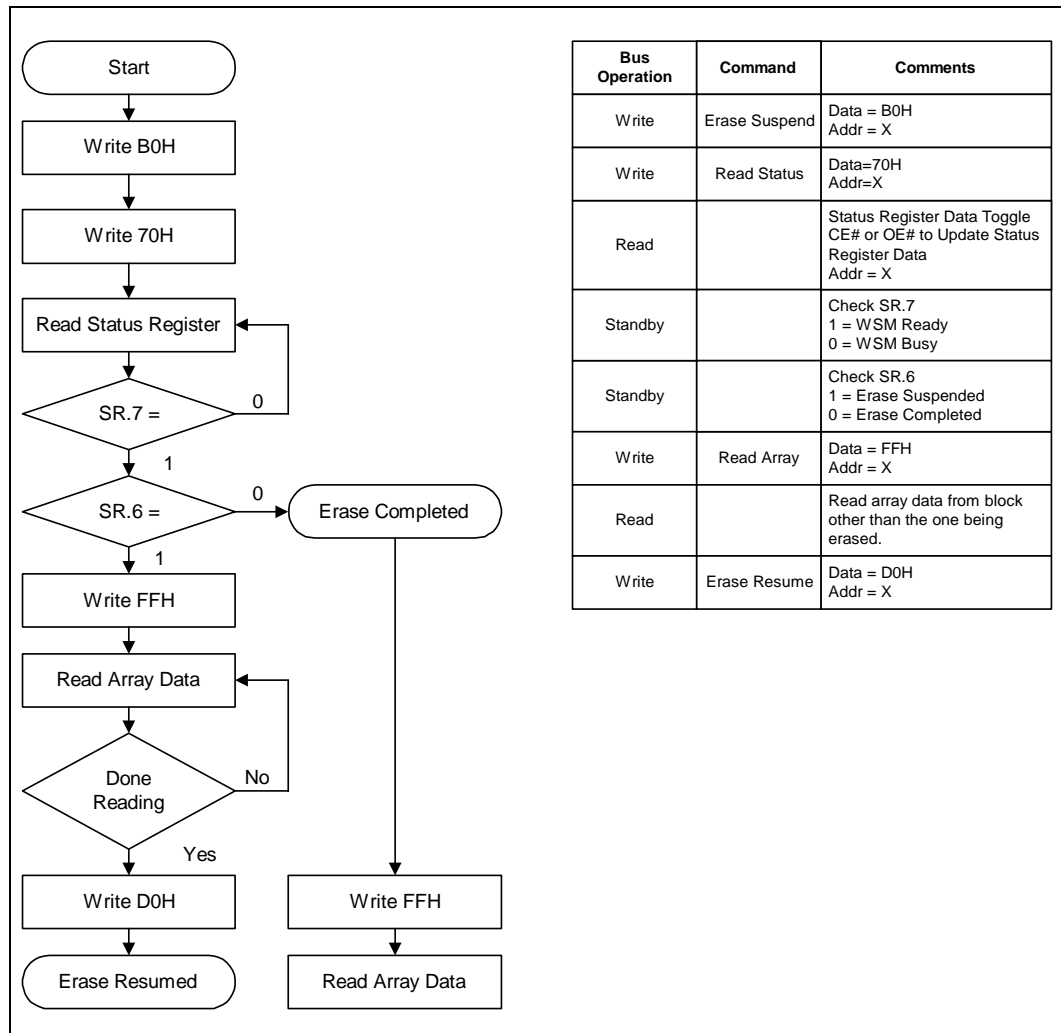


Figure 16. Locking Operations Flowchart

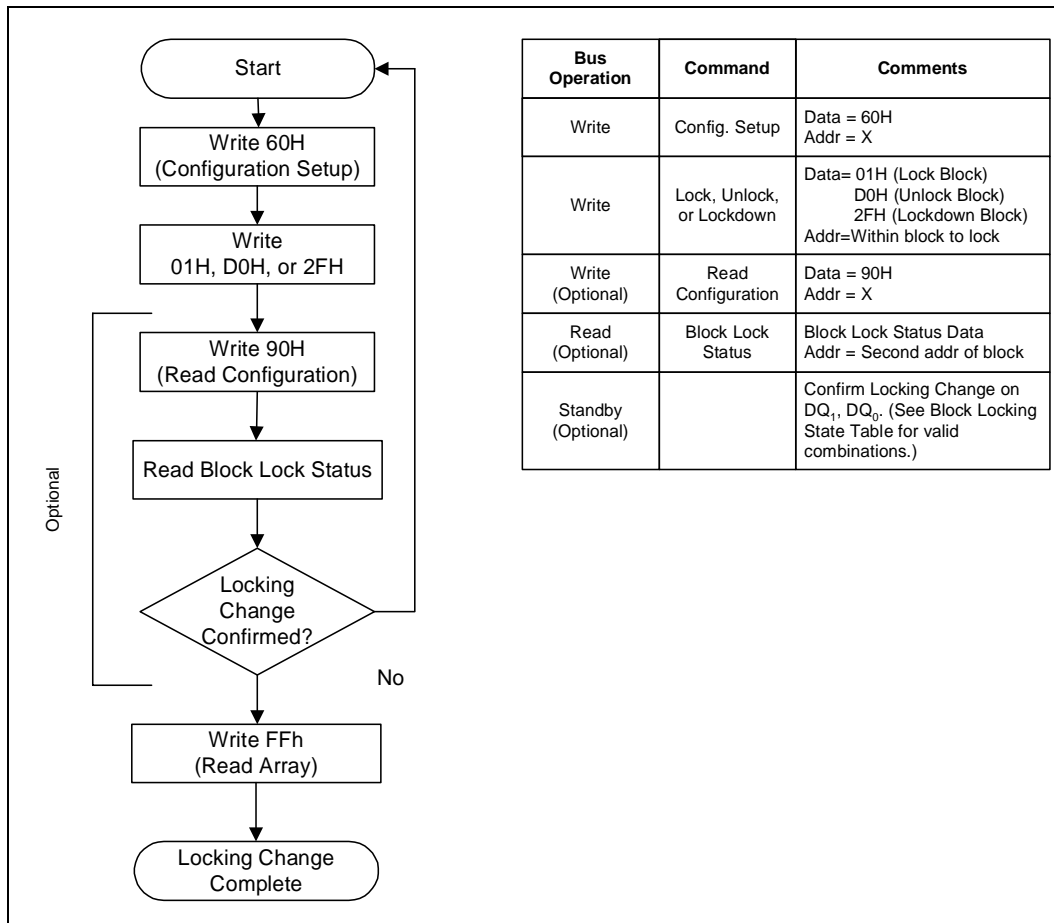
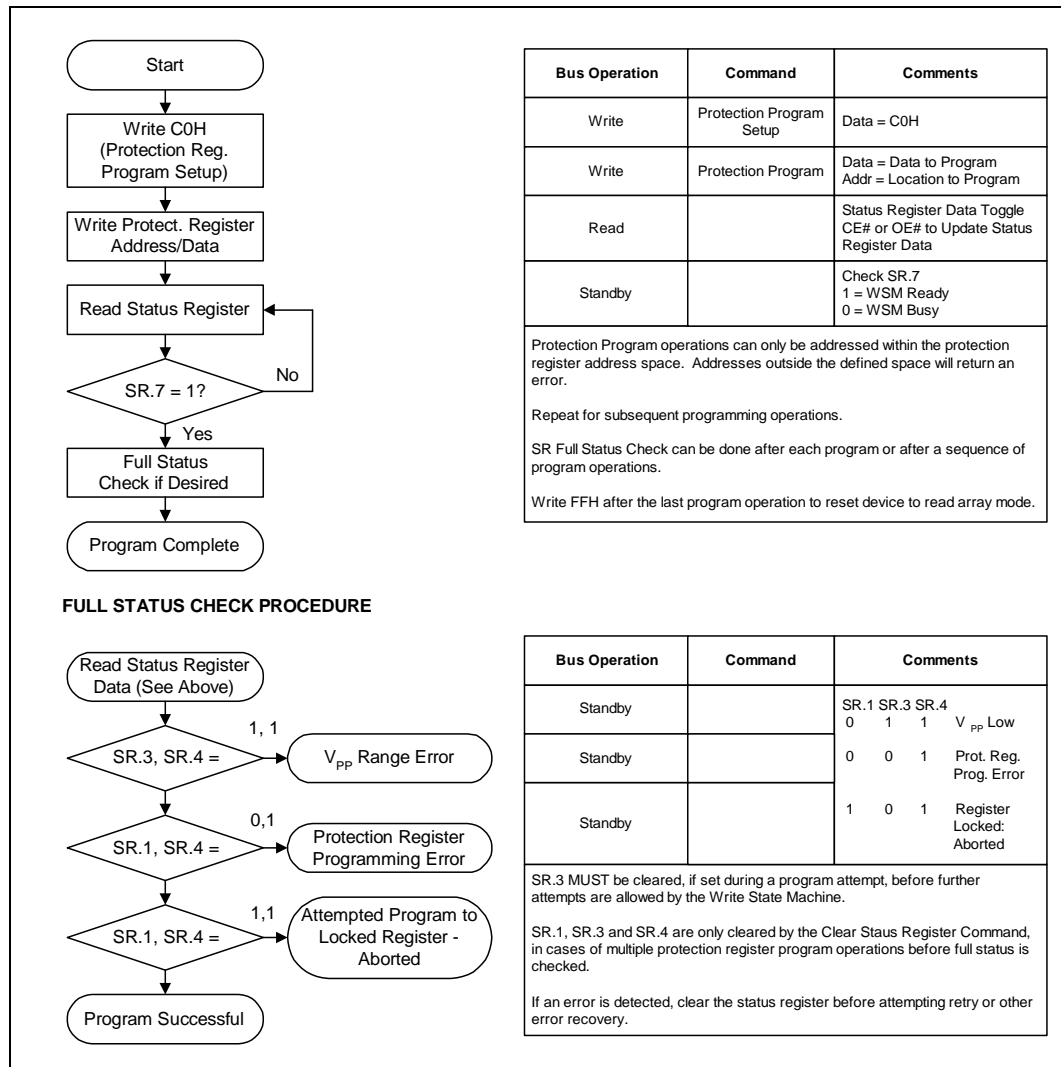


Figure 17. Protection Register Programming Flowchart



Appendix C Common Flash Interface Query Structure

This appendix defines the data structure or “database” returned by the Common Flash Interface (CFI) Query command. System software should parse this structure to gain critical information such as block size, density, x8/x16, and electrical specifications. Once this information has been obtained, the software will know which command sets to use to enable flash writes, block erases, and otherwise control the flash component. The Query is part of an overall specification for multiple command set and control-interface descriptions called Common Flash Interface, or CFI.

C.1 Query Structure Output

The Query “database” allows system software to gain information for controlling the flash component. This section describes the device’s CFI-compliant interface that allows the host system to access Query data.

Query data are always presented on the lowest order data outputs (DQ₀₋₇) only. The numerical offset value is the address relative to the maximum bus width supported by the device. On this family of devices, the Query table device starting address is a 10h, which is a word address for x16 devices.

For a word-wide (x16) device, the first two bytes of the Query structure, “Q” and “R” in ASCII, appear on the low byte at word addresses 10h and 11h. This CFI-compliant device outputs 00H data on upper bytes. Thus, the device outputs ASCII “Q” in the low byte (DQ₀₋₇) and 00h in the high byte (DQ₈₋₁₅).

At Query addresses containing two or more bytes of information, the least significant data byte is presented at the lower address, and the most significant data byte is presented at the higher address.

In all of the following tables, addresses and data are represented in hexadecimal notation, so the “h” suffix has been dropped. In addition, since the upper byte of word-wide devices is always “00h,” the leading “00” has been dropped from the table notation and only the lower byte value is shown. Any x16 device outputs can be assumed to have 00h on the upper byte in this mode.

Table 12. Summary of Query Structure Output As a Function of Device and Mode

Device	Hex Offset	Code	ASCII Value
Device Addresses	10:	51	“Q”
	11:	52	“R”
	12:	59	“Y”

Table 13. Example of Query Structure Output of x16 and x8 Devices

Word Addressing			Byte Addressing		
Offset	Hex Code	Value	Offset	Hex Code	Value
A ₁₅ –A ₀	D ₁₅ –D ₀		A ₇ –A ₀	D ₇ –D ₀	
0010h	0051	“Q”	10h	51	“Q”
0011h	0052	“R”	11h	52	“R”
0012h	0059	“Y”	12h	59	“Y”
0013h	P_ID _{LO}	PrVendor	13h	P_ID _{LO}	PrVendor
0014h	P_ID _{HI}	ID #	14h	P_ID _{LO}	ID #
0015h	P _{LO}	PrVendor	15h	P_ID _{HI}	ID #
0016h	P _{HI}	TblAdr	16h
0017h	A_ID _{LO}	AltVendor	17h		
0018h	A_ID _{HI}	ID #	18h		
...		

C.2 Query Structure Overview

The Query command causes the flash component to display the Common Flash Interface (CFI) Query structure or “database.” The structure sub-sections and address locations are summarized below.

Table 14. Query Structure⁽¹⁾

Offset	Sub-Section Name	Description
00h		Manufacturer Code
01h		Device Code
(BA+2)h ⁽²⁾	Block Status Register	Block-Specific Information
04-0Fh	Reserved	Reserved for Vendor-Specific Information
10h	CFI Query Identification String	Command Set ID and Vendor Data Offset
1Bh	System Interface Information	Device Timing and Voltage Information
27h	Device Geometry Definition	Flash Device Layout
P ⁽³⁾	Primary Intel-Specific Extended Query Table	Vendor-Defined Additional Information Specific to the Primary Vendor Algorithm

NOTES:

1. Refer to the Query Structure Output section and offset 28h for the detailed definition of offset address as a function of device bus width and mode.
2. BA = The beginning location of a Block Address (e.g., 08000h is the beginning location of block 1 when the block size is 32 Kword).
3. Offset 15 defines “P” which points to the Primary Intel-specific Extended Query Table.

C.3 Block Lock Status Register

The block-status register indicates whether an Erase operation completed successfully or whether a given block is locked or can be accessed for flash Program/Erase operations.

Block Erase Status (BSR.1) allows system software to determine the success of the last Block Erase operation. BSR.1 can be used just after power-up to verify that the V_{CC} supply was not accidentally removed during an Erase operation. This bit is reset only by issuing another Erase operation to the block. The block-status register is accessed from word address 02h within each block.

Table 15. Block Status Register

Offset	Length	Description	Add.	Value
(BA+2)h ⁽¹⁾	1	Block Lock Status Register	BA+2:	--00 or --01
		BSR.0 Block Lock Status 0 = Unlocked 1 = Locked	BA+2:	(bit 0): 0 or 1
		BSR.1 Block Lock-Down Status 0 = Not locked down 1 = Locked down	BA+2:	(bit 1): 0 or 1
		BSR 2–7: <i>Reserved for future use</i>	BA+2:	(bit 2–7): 0

NOTE:

1. BA = The beginning location of a Block Address (i.e., 008000h is the beginning location of block 1 in word mode.)

C.4 CFI Query Identification String

The Identification String provides verification that the component supports the Common Flash Interface specification. It also indicates the specification version and supported vendor-specified command set(s).

Table 16. CFI Identification

Offset	Length	Description	Add.	Hex Code	Value
10h	3	Query-unique ASCII string "QRY"	10: 11: 12:	--51 --52 --59	"Q" "R" "Y"
13h	2	Primary vendor command set and control interface ID code 16-bit ID code for vendor-specified algorithms	13: 14:	--03 --00	
15h	2	Extended Query Table primary algorithm address	15: 16:	--35 --00	
17h	2	Alternate vendor command set and control interface ID code 0000h means no second vendor-specified algorithm exists	17: 18:	--00 --00	
19h	2	Secondary algorithm Extended Query Table address 0000h means none exists	19: 1A:	--00 --00	

C.5 System Interface Information

Table 17. System Interface Information

Offset	Length	Description	Add.	Hex Code	Value
1Bh	1	V _{CC} logic supply minimum program/erase voltage bits 0–3 BCD 100 mV bits 4–7 BCD volts	1B:	--27	2.7 V
1Ch	1	V _{CC} logic supply maximum program/erase voltage bits 0–3 BCD 100 mV bits 4–7 BCD volts	1C:	--36	3.6 V
1Dh	1	V _{PP} [programming] supply minimum program/erase voltage bits 0–3 BCD 100 mV bits 4–7 HEX volts	1D:	--B4	11.4 V
1Eh	1	V _{PP} [programming] supply maximum program/erase voltage bits 0–3 BCD 100 mV bits 4–7 HEX volts	1E:	--C6	12.6 V
1Fh	1	"n" such that typical single word program time-out = 2 ⁿ μs	1F:	--05	32 μs
20h	1	"n" such that typical max. buffer write time-out = 2 ⁿ μs	20:	--00	NA
21h	1	"n" such that typical block erase time-out = 2 ⁿ ms	21:	--0A	1 s
22h	1	"n" such that typical full chip erase time-out = 2 ⁿ ms	22:	--00	NA
23h	1	"n" such that maximum word program time-out = 2 ⁿ times typical	23:	--04	512μs
24h	1	"n" such that maximum buffer write time-out = 2 ⁿ times typical	24:	--00	NA
25h	1	"n" such that maximum block erase time-out = 2 ⁿ times typical	25:	--03	8s
26h	1	"n" such that maximum chip erase time-out = 2 ⁿ times typical	26:	--00	NA

C.6 Device Geometry Definition

Table 18. Device Geometry Definition

Offset	Length	Description	Code See table below		
27h	1	"n" such that device size = 2 ⁿ in number of bytes	27:		
28h	2	Flash device interface: <u>x8 async</u> <u>x16 async</u> <u>x8/x16 async</u> 28:00,29:00 28:01,29:00 28:02,29:00	28:	--01	x16
			29:	--00	
2Ah	2	"n" such that maximum number of bytes in write buffer = 2 ⁿ	2A:	--00	0
			2B:	--00	
2Ch	1	Number of erase block regions within device: 1. x = 0 means no erase blocking; the device erases in "bulk" 2. x specifies the number of device or partition regions with one or more contiguous same-size erase blocks. 3. Symmetrically blocked partitions have one blocking region 4. Partition size = (total blocks) x (individual block size)	2C:	--02	2
2Dh	4	Erase Block Region 1 Information bits 0–15 = y, y+1 = number of identical-size erase blocks bits 16–31 = z, region erase block(s) size are z x 256 bytes	2D:		
			2E:		
			2F:		
			30:		
31h	4	Erase Block Region 2 Information bits 0–15 = y, y+1 = number of identical-size erase blocks bits 16–31 = z, region erase block(s) size are z x 256 bytes	31:		
			32:		
			33:		
			34:		

Device Geometry Definition								
Address	8 Mbit		16 Mbit		32 Mbit		64 Mbit	
	-B	-T	-B	-T	-B	-T	-B	-T
27:	--14	--14	--15	--15	--16	--16	--17	--17
28:	--01	--01	--01	--01	--01	--01	--01	--01
29:	--00	--00	--00	--00	--00	--00	--00	--00
2A:	--00	--00	--00	--00	--00	--00	--00	--00
2B:	--00	--00	--00	--00	--00	--00	--00	--00
2C:	--02	--02	--02	--02	--02	--02	--02	--02
2D:	--07	--0E	--07	--1E	--07	--3E	--07	--7E
2E:	--00	--00	--00	--00	--00	--00	--00	--00
2F:	--20	--00	--20	--00	--20	--00	--20	--00
30:	--00	--01	--00	--01	--00	--01	--00	--01
31:	--0E	--07	--1E	--07	--3E	--07	--7E	--07
32:	--00	--00	--00	--00	--00	--00	--00	--00
33:	--00	--20	--00	--20	--00	--20	--00	--20
34:	--01	--00	--01	--00	--01	--00	--01	--00

C.7 Intel-Specific Extended Query Table

Certain flash features and commands are optional. The Intel-Specific Extended Query table specifies this and other similar types of information.

Table 19. Primary-Vendor Specific Extended Query

Offset(1) P = 35h	Length	Description (Optional Flash Features and Commands)	Address	Hex Code	Value
(P+0)h (P+1)h (P+2)h	3	Primary extended query table Unique ASCII string "PRI"	35: 36: 37:	--50 --52 --49	"P" "R" "I"
(P+3)h	1	Major version number, ASCII	38:	--31	"1"
(P+4)h	1	Minor version number, ASCII	39:	--30	"0"
(P+5)h (P+6)h (P+7)h (P+8)h	4	Optional feature and command support (1=yes, 0=no) bits 9–31 are reserved; undefined bits are "0." If bit 31 is "1" then another 31 bit field of optional features follows at the end of the bit-30 field.	3A: 3B: 3C: 3D:	--66 --00 --00 --00	
		bit 0 Chip erase supported bit 1 Suspend erase supported bit 2 Suspend program supported bit 3 Legacy lock/unlock supported bit 4 Queued erase supported bit 5 Instant individual block locking supported bit 6 Protection bits supported bit 7 Page mode read supported bit 8 Synchronous read supported	bit 0 = 0 bit 1 = 1 bit 2 = 1 bit 3 = 0 bit 4 = 0 bit 5 = 1 bit 6 = 1 bit 7 = 0 bit 8 = 0	No Yes Yes No No Yes Yes No No	
(P+9)h	1	Supported functions after suspend: Read Array, Status, Query Other supported operations are: <i>bits 1–7 reserved; undefined bits are "0"</i>	3E:	--01	
		bit 0 Program supported after erase suspend	bit 0 = 1		Yes
(P+A)h (P+B)h	2	Block status register mask bits 2–15 are Reserved; undefined bits are "0" bit 0 Block Lock-Bit Status Register active bit 1 Block Lock-Down Bit Status active	3F: 40:	--03 --00	
			bit 0 = 1 bit 1 = 1	Yes Yes	
(P+C)h	1	V _{CC} logic supply highest performance program/erase voltage bits 0–3 BCD value in 100 mV bits 4–7 BCD value in volts	41:	--33	3.3 V
(P+D)h	1	V _{PP} optimum program/erase supply voltage bits 0–3 BCD value in 100 mV bits 4–7 HEX value in volts	42:	--C0	12.0 V

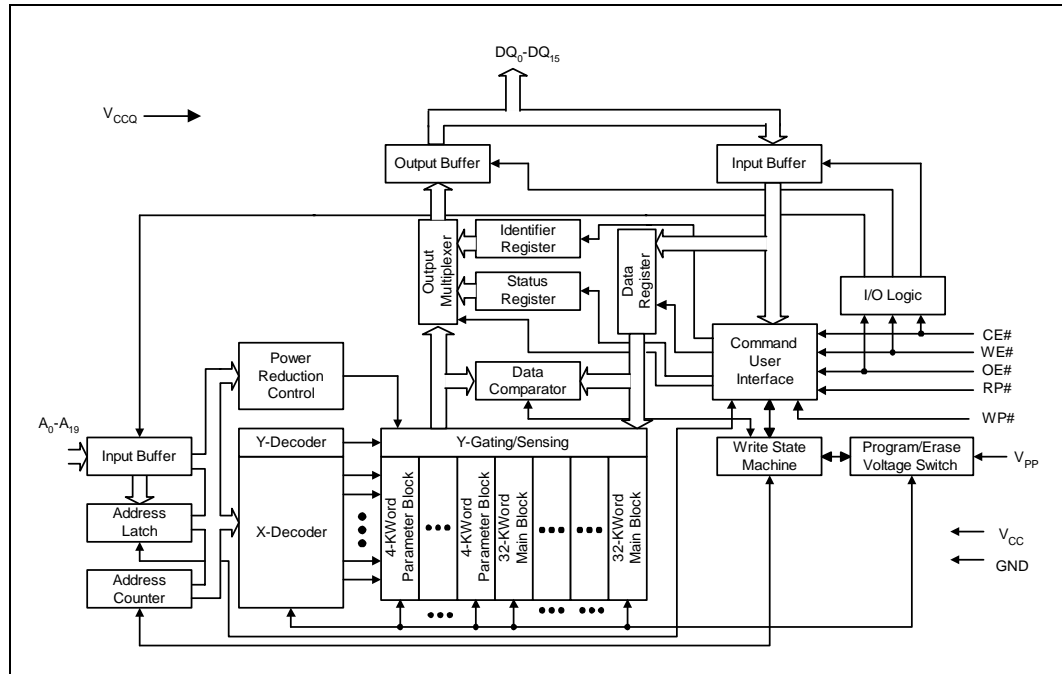
Table 20. Protection Register Information

Offset(1) P = 35h	Length	Description (Optional Flash Features and Commands)	Address	Hex Code	Value
(P+E)h	1	Number of Protection register fields in JEDEC ID space. "00h," indicates that 256 protection bytes are available	43:	--01	01
(P+F)h (P+10)h (P+11)h	4	Protection Field 1: Protection Description This field describes user-available One Time Programmable (OTP) Protection register bytes. Some are pre-programmed with device-unique serial numbers. Others are user programmable. Bits 0–15 point to the Protection register Lock byte, the section's first byte. The following bytes are factory pre-programmed and user-programmable. bits 0–7 = Lock/bytes JEDEC-plane physical low address bits 8–15 = Lock/bytes JEDEC -plane physical high address bits 16–23 = "n" such that 2 ⁿ = factory pre-programmed bytes bits 24–31 = "n" such that 2 ⁿ = user programmable bytes	44: 45: 46:	--80 --00 --03	80h 00h 8 byte
(P+12)h		47:	--03	8 byte	
(P+13)h		Reserved for future use	48:		

NOTE:

1. The variable P is a pointer which is defined at CFI offset 15h.

Appendix D Architecture Block Diagram





Appendix E Word-Wide Memory Map Diagrams

8-Mbit Word-Wide Memory Addressing							
Top Boot				Bottom Boot			
Size (KW)	8 Mbit			Size (KW)	8 Mbit		
4	7F000-7FFFF			32	78000-7FFFF		
4	7E000-7EFFF			32	70000-77FFF		
4	7D000-7DFFF			32	68000-6FFFF		
4	7C000-7CFFF			32	60000-67FFF		
4	7B000-7BFFF			32	58000-5FFFF		
4	7A000-7AFFF			32	50000-57FFF		
4	79000-79FFF			32	48000-4FFFF		
4	78000-78FFF			32	40000-47FFF		
32	70000-77FFF			32	38000-3FFFF		
32	68000-6FFFF			32	30000-37FFF		
32	60000-67FFF			32	28000-2FFFF		
32	58000-5FFFF			32	20000-27FFF		
32	50000-57FFF			32	18000-1FFFF		
32	48000-4FFFF			32	10000-17FFF		
32	40000-47FFF			32	08000-0FFFF		
32	38000-3FFFF			4	07000-07FFF		
32	30000-37FFF			4	06000-06FFF		
32	28000-2FFFF			4	05000-05FFF		
32	20000-27FFF			4	04000-04FFF		
32	18000-1FFFF			4	03000-03FFF		
32	10000-17FFF			4	02000-02FFF		
32	08000-0FFFF			4	01000-01FFF		
32	00000-07FFF			4	00000-00FFF		



16-Mbit, 32-Mbit, and 64-Mbit Word-Wide Memory Addressing							
Top Boot				Bottom Boot			
Size (KW)	16 Mbit	32 Mbit	64 Mbit	Size (KW)	16 Mbit	32 Mbit	64 Mbit
4	FF000-FFFFF	1FF000-1FFFFF	3FF000-3FFFFFFF	32			3F8000-3FFFFFFF
4	FE000-FEFFF	1FE000-1FEFFF	3FE000-3FEFFF	32			3F0000-3F7FFF
4	FD000-FDFFF	1FD000-1FDFFF	3FD000-3FDFFF	32			3E8000-3EFFFF
4	FC000-FCFFF	1FC000-1FCFFF	3FC000-3FCFFF	32			3E0000-3E7FFF
4	FB000-FBFFF	1FB000-1FBFFF	3FB000-3FBFFF	32			3D8000-3DFFFF
4	FA000-FAFFF	1FA000-1FAFFF	3FA000-3FAFFF	32			3D0000-3D7FFF
4	F9000-F9FFF	1F9000-1F9FFF	3F9000-3F9FFF	32			3C8000-3CFFFF
4	F8000-F8FFF	1F8000-1F8FFF	3F8000-3F8FFF	32			3C0000-3C7FFF
32	F0000-F7FFF	1F0000-1F7FFF	3F0000-3F7FFF	32			3B8000-3BFFFF
32	E8000-EFFFF	1E8000-1EFFFF	3E8000-3EFFFF	32			3B0000-3B7FFF
32	E0000-E7FFF	1E0000-1E7FFF	3E0000-3E7FFF	32			3A8000-3AFFFF
32	D8000-DFFFF	1D8000-1DFFFF	3D8000-3DFFFF	32			3A0000-3A7FFF
32	D0000-D7FFF	1D0000-1D7FFF	3D0000-3D7FFF	32			398000-39FFFF
32	C8000-CFFFF	1C8000-1CFFFF	3C8000-3CFFFF	32			390000-397FFF
32	C0000-C7FFF	1C0000-1C7FFF	3C0000-3C7FFF	32			388000-38FFFF
32	B8000-BFFFF	1B8000-1BFFFF	3B8000-3BFFFF	32			380000-387FFF
32	B0000-B7FFF	1B0000-1B7FFF	3B0000-3B7FFF	32			378000-37FFFF
32	A8000-AFFFF	1A8000-1AFFFF	3A8000-3AFFFF	32			370000-377FFF
32	A0000-A7FFF	1A0000-1A7FFF	3A0000-3A7FFF	32			368000-36FFFF
32	98000-9FFFF	198000-19FFFF	398000-39FFFF	32			360000-367FFF
32	90000-97FFF	190000-197FFF	390000-397FFF	32			358000-35FFFF
32	88000-8FFFF	188000-18FFFF	388000-38FFFF	32			350000-357FFF
32	80000-87FFF	180000-187FFF	380000-387FFF	32			348000-34FFFF
32	78000-77FFF	178000-177FFF	378000-377FFF	32			340000-347FFF
32	70000-77FFF	170000-177FFF	370000-377FFF	32			338000-33FFFF
32	68000-6FFFF	168000-16FFFF	368000-36FFFF	32			330000-337FFF
32	60000-67FFF	160000-167FFF	360000-367FFF	32			328000-32FFFF
32	58000-5FFFF	158000-15FFFF	358000-35FFFF	32			320000-327FFF
32	50000-57FFF	150000-157FFF	350000-357FFF	32			318000-31FFFF
32	48000-4FFFF	148000-14FFFF	348000-34FFFF	32			310000-317FFF
32	40000-47FFF	140000-147FFF	340000-347FFF	32			308000-30FFFF
32	38000-3FFFF	138000-13FFFF	338000-33FFFF	32			300000-307FFF
32	30000-37FFF	130000-137FFF	330000-337FFF	32			2F8000-2FFFFF
32	28000-2FFFF	128000-12FFFF	328000-32FFFF	32			2F0000-2F7FFF
32	20000-27FFF	120000-127FFF	320000-327FFF	32			2E8000-2EFFFF
32	18000-1FFFF	118000-11FFFF	318000-31FFFF	32			2E0000-2E7FFF
32	10000-17FFF	110000-117FFF	310000-317FFF	32			2D8000-2DFFFF
32	08000-0FFFF	108000-10FFFF	308000-30FFFF	32			2D0000-2D7FFF
32	00000-07FFF	100000-107FFF	300000-307FFF	32			2C8000-2CFFFF
32		0F8000-0FFFFF	2F8000-2FFFFF	32			2C0000-2C7FFF
32		0F0000-0F7FFF	2F0000-2F7FFF	32			2B8000-2BFFFF
32		0E8000-0EFFFF	2E8000-2EFFFF	32			2B0000-2B7FFF
32		0E0000-0E7FFF	2E0000-2E7FFF	32			2A8000-2AFFFF
32		0D8000-0DFFFF	2D8000-2DFFFF	32			2A0000-2A7FFF
32		0D0000-0D7FFF	2D0000-2D7FFF	32			298000-29FFFF
32		0C8000-0CFFFF	2C8000-2CFFFF	32			290000-297FFF
32		0C0000-0C7FFF	2C0000-2C7FFF	32			288000-28FFFF
32		0B8000-0BFFFF	2B8000-2BFFFF	32			280000-287FFF
32		0B0000-0B7FFF	2B0000-2B7FFF	32			278000-27FFFF
32		0A8000-0AFFFF	2A8000-2AFFFF	32			270000-277FFF

This column continues on next page

This column continues on next page

16-Mbit, 32-Mbit, and 64-Mbit Word-Wide Memory Addressing

Top Boot				Bottom Boot			
Size (KW)	16 Mbit	32 Mbit	64 Mbit	Size (KW)	16 Mbit	32 Mbit	64 Mbit
32		0A0000-0A7FFF	2A0000-2A7FFF	32			268000-26FFFF
32		098000-09FFFF	298000-29FFFF	32			260000-267FFF
32		090000-097FFF	290000-297FFF	32			258000-25FFFF
32		088000-08FFFF	288000-28FFFF	32			250000-257FFF
32		080000-087FFF	280000-287FFF	32			248000-24FFFF
32		078000-07FFFF	278000-27FFFF	32			240000-247FFF
32		070000-077FFF	270000-277FFF	32			238000-23FFFF
32		068000-06FFFF	268000-26FFFF	32			230000-237FFF
32		060000-067FFF	260000-267FFF	32			228000-22FFFF
32		058000-05FFFF	258000-25FFFF	32			220000-227FFF
32		050000-057FFF	250000-257FFF	32			218000-21FFFF
32		048000-04FFFF	248000-24FFFF	32			210000-217FFF
32		040000-047FFF	240000-247FFF	32			208000-20FFFF
32		038000-03FFFF	238000-23FFFF	32			200000-207FFF
32		030000-037FFF	230000-237FFF	32		1F8000-1FFFFF	1F8000-1FFFFF
32		028000-02FFFF	228000-22FFFF	32		1F0000-1F7FFF	1F0000-1F7FFF
32		020000-027FFF	220000-227FFF	32		1E8000-1EFFFF	1E8000-1EFFFF
32		018000-01FFFF	218000-21FFFF	32		1E0000-1E7FFF	1E0000-1E7FFF
32		010000-017FFF	210000-217FFF	32		1D8000-1DFFFF	1D8000-1DFFFF
32		008000-00FFFF	208000-21FFFF	32		1D0000-1D7FFF	1D0000-1D7FFF
32		000000-007FFF	200000-207FFF	32		1C8000-1CFFFF	1C8000-1CFFFF
32			1F8000-1FFFFF	32		1C0000-1C7FFF	1C0000-1C7FFF
32			1F0000-1F7FFF	32		1B8000-1BFFFF	1B8000-1BFFFF
32			1E8000-1EFFFF	32		1B0000-1B7FFF	1B0000-1B7FFF
32			1E0000-1E7FFF	32		1A8000-1AFFFF	1A8000-1AFFFF
32			1D8000-1DFFFF	32		1A0000-1A7FFF	1A0000-1A7FFF
32			1D0000-1D7FFF	32		198000-19FFFF	198000-19FFFF
32			1C8000-1CFFFF	32		190000-197FFF	190000-197FFF
32			1C0000-1C7FFF	32		188000-18FFFF	188000-18FFFF
32			1B8000-1BFFFF	32		180000-187FFF	180000-187FFF
32			1B0000-1B7FFF	32		178000-17FFFF	178000-17FFFF
32			1A8000-1AFFFF	32		170000-177FFF	170000-177FFF
32			1A0000-1A7FFF	32		168000-16FFFF	168000-16FFFF
32			198000-19FFFF	32		160000-167FFF	160000-167FFF
32			190000-197FFF	32		158000-15FFFF	158000-15FFFF
32			188000-18FFFF	32		150000-157FFF	150000-157FFF
32			180000-187FFF	32		148000-14FFFF	148000-14FFFF
32			178000-17FFFF	32		140000-147FFF	140000-147FFF
32			170000-177FFF	32		138000-13FFFF	138000-13FFFF
32			168000-16FFFF	32		130000-137FFF	130000-137FFF
32			160000-167FFF	32		128000-12FFFF	128000-12FFFF
32			158000-15FFFF	32		120000-127FFF	120000-127FFF
32			150000-157FFF	32		118000-11FFFF	118000-11FFFF
32			148000-14FFFF	32		110000-117FFF	110000-117FFF
32			140000-147FFF	32		108000-10FFFF	108000-10FFFF
32			138000-13FFFF	32		100000-107FFF	100000-107FFF
32			130000-137FFF	32	F8000-FFFFF	F8000-FFFFF	F8000-FFFFF
32			128000-12FFFF	32	F0000-F7FFF	F0000-F7FFF	F0000-F7FFF
32			120000-127FFF	32	E8000-EFFFF	E8000-EFFFF	E8000-EFFFF
32			118000-11FFFF	32	E0000-E7FFF	E0000-E7FFF	E0000-E7FFF
32			110000-117FFF	32	D8000-DFFFF	D8000-DFFFF	D8000-DFFFF
32			108000-10FFFF	32	D0000-D7FFF	D0000-D7FFF	D0000-D7FFF
32			100000-107FFF	32	C8000-CFFFF	C8000-CFFFF	C8000-CFFFF
32			0F8000-0FFFFF	32	C0000-C7FFF	C0000-C7FFF	C0000-C7FFF

This column continues on next page

This column continues on next page



16-Mbit, 32-Mbit, and 64-Mbit Word-Wide Memory Addressing

Top Boot				Bottom Boot			
Size (KW)	16 Mbit	32 Mbit	64 Mbit	Size (KW)	16 Mbit	32 Mbit	64 Mbit
32			0F0000-0F7FFF	32	B8000-BFFFF	B8000-BFFFF	B8000-BFFFF
32			0E8000-0EFFFF	32	B0000-B7FFF	B0000-B7FFF	B0000-B7FFF
32			0E0000-0E7FFF	32	A8000-AFFFF	A8000-AFFFF	A8000-AFFFF
32			0D8000-0DFFFF	32	A0000-A7FFF	A0000-A7FFF	A0000-A7FFF
32			0D0000-0D7FFF	32	98000-9FFFF	98000-9FFFF	98000-9FFFF
32			0C8000-0CFFFF	32	90000-97FFF	90000-97FFF	90000-97FFF
32			0C0000-0C7FFF	32	88000-8FFFF	88000-8FFFF	88000-8FFFF
32			0B8000-0BFFFF	32	80000-87FFF	80000-87FFF	80000-87FFF
32			0B0000-0B7FFF	32	78000-7FFFF	78000-7FFFF	78000-7FFFF
32			0A8000-0AFFFF	32	70000-77FFF	70000-77FFF	70000-77FFF
32			0A0000-0A7FFF	32	68000-6FFFF	68000-6FFFF	68000-6FFFF
32			098000-09FFFF	32	60000-67FFF	60000-67FFF	60000-67FFF
32			090000-097FFF	32	58000-5FFFF	58000-5FFFF	58000-5FFFF
32			088000-08FFFF	32	50000-57FFF	50000-57FFF	50000-57FFF
32			080000-087FFF	32	48000-4FFFF	48000-4FFFF	48000-4FFFF
32			078000-077FFF	32	40000-47FFF	40000-47FFF	40000-47FFF
32			070000-077FFF	32	38000-3FFFF	38000-3FFFF	38000-3FFFF
32			068000-06FFFF	32	30000-37FFF	30000-37FFF	30000-37FFF
32			060000-067FFF	32	28000-2FFFF	28000-2FFFF	28000-2FFFF
32			058000-05FFFF	32	20000-27FFF	20000-27FFF	20000-27FFF
32			050000-057FFF	32	18000-1FFFF	18000-1FFFF	18000-1FFFF
32			048000-04FFFF	32	10000-17FFF	10000-17FFF	10000-17FFF
32			040000-047FFF	32	08000-0FFFF	08000-0FFFF	08000-0FFFF
32			038000-03FFFF	4	07000-07FFF	07000-07FFF	07000-07FFF
32			030000-037FFF	4	06000-06FFF	06000-06FFF	06000-06FFF
32			028000-02FFFF	4	05000-05FFF	05000-05FFF	05000-05FFF
32			020000-027FFF	4	04000-04FFF	04000-04FFF	04000-04FFF
32			018000-01FFFF	4	03000-03FFF	03000-03FFF	03000-03FFF
32			010000-017FFF	4	02000-02FFF	02000-02FFF	02000-02FFF
32			008000-00FFFF	4	01000-01FFF	01000-01FFF	01000-01FFF
32			000000-007FFF	4	00000-00FFF	00000-00FFF	00000-00FFF

Appendix F Device ID Table

Read Configuration Addresses and Data			
Item		Address	Data
Manufacturer Code	x16	00000	0089
Device Code			
8-Mbit x 16-T	x16	00001	88C0
8-Mbit x 16-B	x16	00001	88C1
16-Mbit x 16-T	x16	00001	88C2
16-Mbit x 16-B	x16	00001	88C3
32-Mbit x 16-T	x16	00001	88C4
32-Mbit x 16-B	x16	00001	88C5
64-Mbit x 16-T	x16	00001	88CC
64-Mbit x 16-B	x16	00001	88CD

NOTE: Other locations within the configuration address space are reserved by Intel for future use.

Appendix G Protection Register Addressing

Word-Wide Protection Register Addressing

Word	Use	A7	A6	A5	A4	A3	A2	A1	A0
LOCK	Both	1	0	0	0	0	0	0	0
0	Factory	1	0	0	0	0	0	0	1
1	Factory	1	0	0	0	0	0	1	0
2	Factory	1	0	0	0	0	0	1	1
3	Factory	1	0	0	0	0	1	0	0
4	User	1	0	0	0	0	1	0	1
5	User	1	0	0	0	0	1	1	0
6	User	1	0	0	0	0	1	1	1
7	User	1	0	0	0	1	0	0	0

NOTE: All address lines not specified in the above table must be 0 when accessing the Protection Register, i.e., $A_{21}A_8 = 0$.

28F800C3, 28F160C3, 28F320C3, 28F640C3



1.0	Introduction	1
1.1	Product Overview.....	2
2.0	Product Description	3
2.1	Package Pinouts.....	3
2.2	Block Organization.....	9
2.2.1	Parameter Blocks.....	9
2.2.2	Main Blocks.....	9
3.0	Principles of Operation	9
3.1	Bus Operation.....	9
3.1.1	Read.....	9
3.1.2	Output Disable.....	10
3.1.3	Standby.....	10
3.1.4	Reset.....	10
3.1.5	Write.....	11
3.2	Modes of Operation.....	11
3.2.1	Read Array.....	11
3.2.2	Read Configuration.....	12
3.2.3	Read Status Register.....	12
3.2.4	Read Query.....	13
3.2.5	Program Mode.....	13
3.2.6	Erase Mode.....	14
3.3	Flexible Block Locking.....	17
3.3.1	Locking Operation.....	18
3.3.2	Unlocked State.....	18
3.3.3	Lock-Down State.....	18
3.3.4	Reading Block-Lock Status.....	19
3.3.5	Locking Operations during Erase Suspend.....	19
3.3.6	Status Register Error Checking.....	19
3.4	128-Bit Protection Register.....	20
3.4.1	Reading the Protection Register.....	20
3.4.2	Programming the Protection Register.....	21
3.4.3	Locking the Protection Register.....	21
3.5	V _{PP} Program and Erase Voltages.....	21
3.5.1	Improved 12-Volt Production Programming.....	21
3.5.2	V _{PP} & V _{PPLK} for Complete Protection.....	22
3.6	Power Consumption.....	22
3.6.1	Active Power (Program/Erase/Read).....	23
3.6.2	Automatic Power Savings (APS).....	23
3.6.3	Standby Power.....	23
3.6.4	Deep Power-Down Mode.....	23
3.7	Power-Up/Down Operation.....	23
3.7.1	RP# Connected to System Reset.....	24
3.7.2	VCC, VPP and RP# Transitions.....	24
3.8	Power Supply Decoupling.....	24
4.0	Electrical Specifications	25
4.1	Absolute Maximum Ratings.....	25
4.2	Operating Conditions.....	26
4.3	Capacitance.....	26
4.4	DC Characteristics.....	27

4.5	AC Characteristics—Read Operations	31
4.6	AC Characteristics—Write Operations	36
4.7	Erase and Program Timings	40
4.8	Reset Operations	42
5.0	Ordering Information	43
6.0	Additional Information	45
A	WSM Current/Next States, Sheet 1 of 2	46
B	Program/Erase Flowcharts	48
C	Common Flash Interface Query Structure	54
D	Architecture Block Diagram	61
E	Word-Wide Memory Map Diagrams	62
F	Device ID Table	66
G	Protection Register Addressing	67