

2.54mm (0.1") Female Header

8.5mm Profile. Tuning Fork Type
(Single Row, Straight & Right Angle)

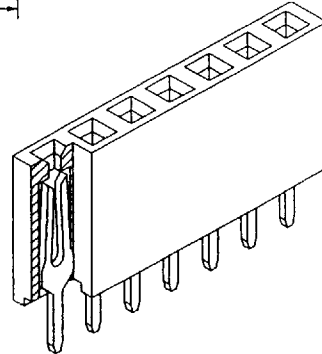
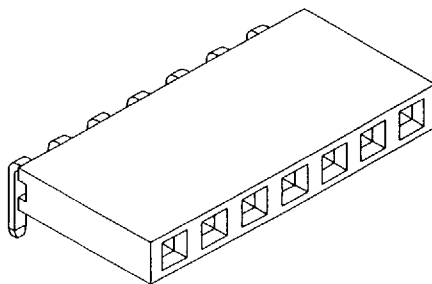
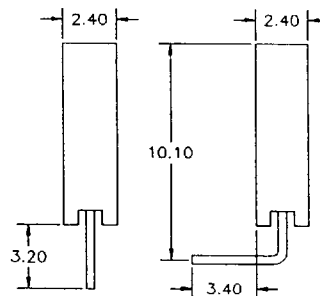
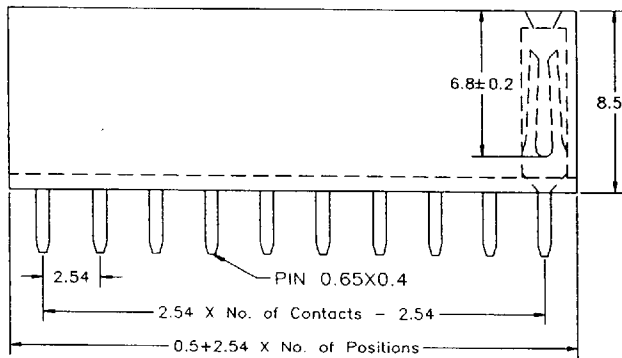
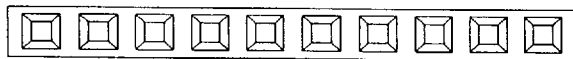
2211 Series

APPLICATION AND FEATURES

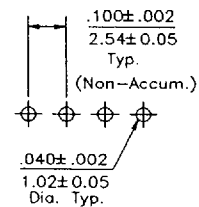
1. For standard profile application 8.5mm high.
2. Accepts 0.64mm square pin with closed entry.
3. Tuning-fork type contacts designed for low cost.
4. Different foot length for customer design choice.
5. Single row 02 to 40 contacts.

SPECIFICATIONS

Current Rating:	3 Amps
Insulator resistance:	5000 Megohms Min.
Contact resistance:	20 m ohm Max.
Dielectric withstanding:	AC 500 V
Operating Temperature:	-40°C to +105°C
Contact Material:	Phosphor Bronze.
Insulator Material:	Polyester, UL 94V-0



Recommended P.C.Board
Hole Layout



Order Information 2211 Series

Example: 2211-34-S-02-3.2

Series No.	Number of Contacts	Connector Type		Contact Plating				Pin Length mm		
		Straight	Right Angle	Tin Plated	Gold Plated	Flash	10 μ"	30 μ"	S-L	R-L
2211	02 to 40 Contacts	S	R	01					3.2	3.4
					02				6.0	8.0
						10			11.0	
						30				

SINGATRON ENT. CO., LTD. Tel.: (909) 464-1883 Fax.: (909) 464-1884

9011184 0000071 140