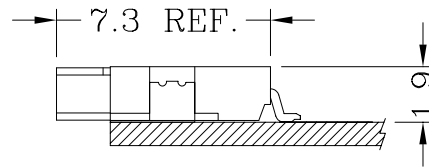


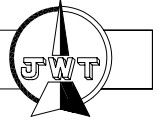
Assembly Layout



## Specifications:

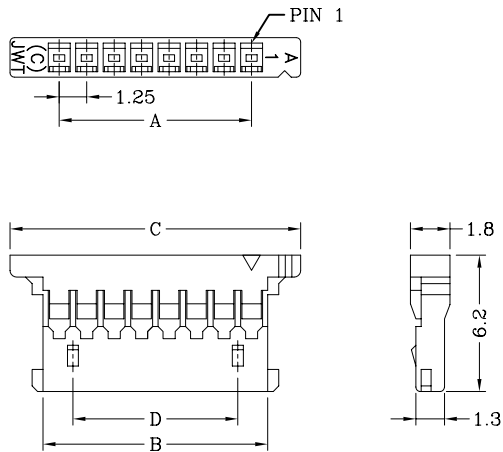
Poles	2~30 Poles
Pitch between poles	1.25mm
Rated Voltage	125V AC,DC
Rated Current	1A (AWG #28)
Withstand Voltage	250V AC/minute
Contact Resistance	20mΩ (MAX.)
Insulation Resistance	100MΩ (MIN.)
Temperature Range	-40°~+85°C
Applicable Wire Range	AWG #28~#30

# A1254 Series 1.25mm pitch crimp terminal socket



## Features:

- \* Available in 2 through 30 circuits
- \* Material: Nylon 66 UL 94V-0 (White)
- \* Suitable for JWT A1254 series terminal



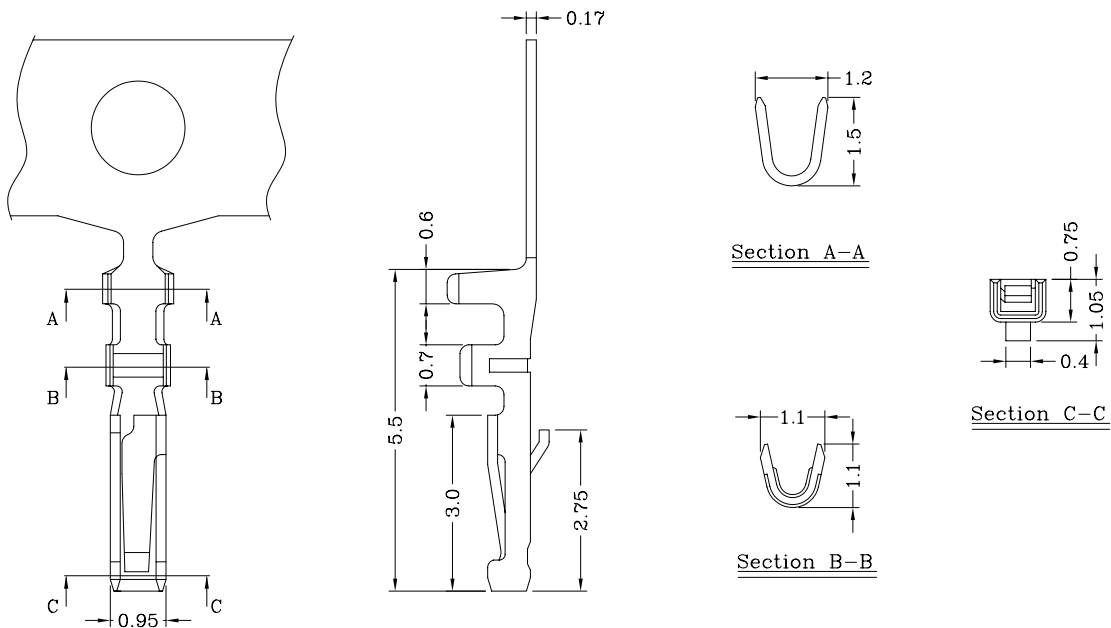
## Dimensional & Ordering Information:

Circuits	Part No	Dimensions				Pcs/Bag
		A	B	C	D	
2	A1254H00-2P	1.25	2.72	5.72	—	1000
3	A1254H00-3P	2.50	3.97	6.97	—	1000
4	A1254H00-4P	3.75	5.22	8.22	2.50	1000
5	A1254H00-5P	5.00	6.47	9.47	3.75	1000
6	A1254H00-6P	6.25	7.72	10.72	5.00	1000
7	A1254H00-7P	7.50	8.97	11.97	6.25	1000
8	A1254H00-8P	8.75	10.22	13.22	7.50	1000
9	A1254H00-9P	10.00	11.47	14.47	8.75	1000
14	A1254H00-14P	16.25	17.72	20.72	15.00	1000
15	A1254H00-15P	17.50	18.97	21.97	16.25	1000
20	A1254H00-20P	23.75	25.22	28.22	22.50	1000
22	A1254H00-22P	26.25	27.72	30.72	25.00	1000
24	A1254H00-24P	28.75	30.22	33.22	27.50	1000
26	A1254H00-26P	31.25	32.72	35.72	30.00	1000
30	A1254H00-30P	36.25	37.72	40.72	35.00	1000

# A1254 Series 1.25mm pitch crimp terminal

## Features:

- \* Used in JWT A1254 series socket



## Specification & Ordering Information:

Part No	Wire Range	Insulation O.D.	Material	Finish	Qty/reel
A1254TOP-00	AWG #28~#30	0.90mm(max)	Phosphor bronze	Gold Flash	20,000 pcs