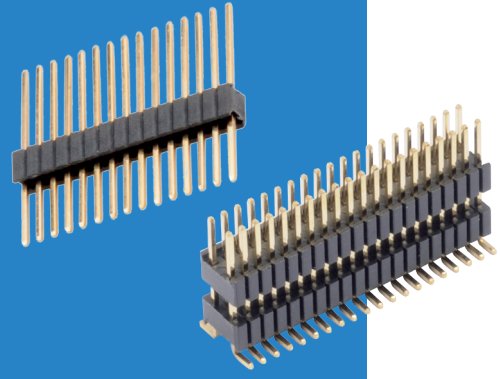


# Archer Connectors – M52

## Pin Header Variants

- ❖ If you are unable to specify the connector you require from our standard range of Archer M52 connectors, use the order code below to create an application-specific connector.
- ❖ Contact [technical@harwin.com](mailto:technical@harwin.com) for further information, or search online for M52-XXX.
- ❖ Suitable for use with female connectors shown on previous pages.

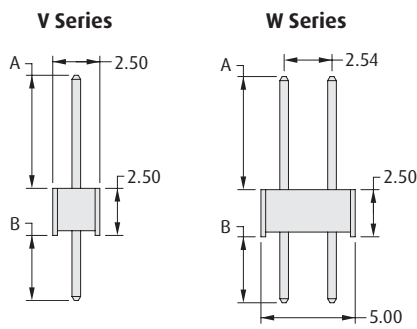


1.27mm (.050") PITCH

## TERMINATION STYLES

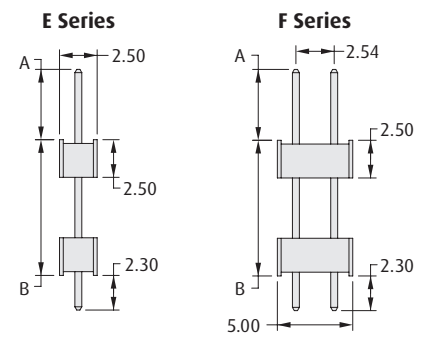
### Vertical PC Tail

- ❖ Pin section is 0.46mm square.
- ❖ PCB mounting hole is  $\varnothing 0.65\text{mm}$ .



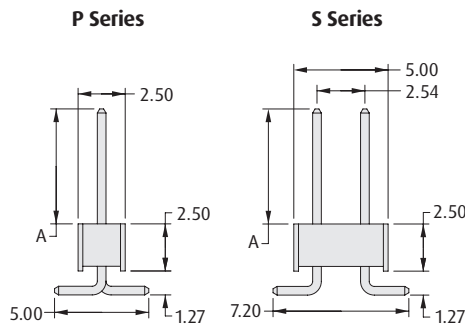
### Extended PC Tail

- ❖ Pin section is 0.46mm square.
- ❖ PCB mounting hole is  $\varnothing 0.65\text{mm}$ .



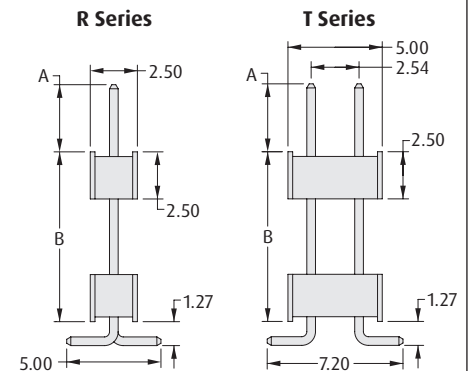
### Vertical SMT

- ❖ Pin section is 0.46mm square.
- ❖ For PCB pad layout see standard Male SMT pin header.
- ❖ B dimension is 000.



### Extended SMT

- ❖ Pin section is 0.46mm square.
- ❖ For PCB pad layout see standard Male SMT pin header.



## HOW TO ORDER

**M52 - XXX XXX X XX 45**

**SERIES CODE**

**DIMENSION A**

Example: 7.8mm = 078

**DIMENSION B**

Example: 5.0mm = 050

**FINISH**

45 Gold

**NO. OF CONTACTS PER ROW**

02 to 50

SINGLE ROW	DOUBLE ROW	
V	W	Vertical
E	F	Extended
P	S	SMT
R	T	Extended SMT

All dimensions in mm.