

## SPECIFICATIONS

## D-SUB Connector

### Mechanical

**Contact Retention Force:** 1.36kg (3.00Lb) min.  
**Contact Engagement Force:** 0.34kg (0.75Lb) max.  
**Contact Separation Force:** 0.021kg (0.05Lb) min.  
**Durability:** 500 Cycles

### DZ Series

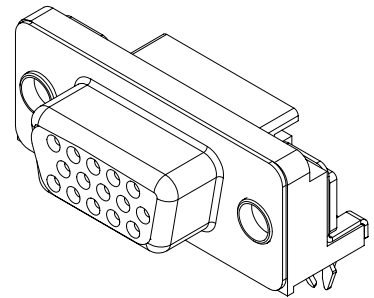
**Right Angle, T/H Type**  
**2.29mm [.090"] Pitch**  
**15 Pos.**

### Electrical

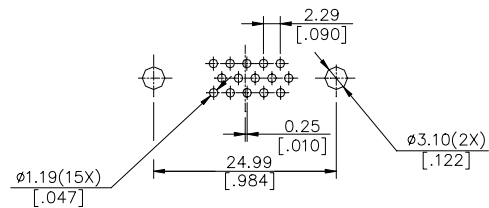
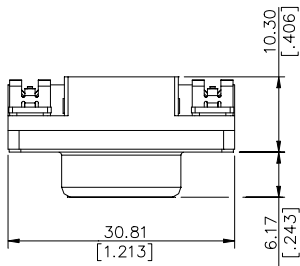
**Current Rating:** 2A  
**Contact Resistance:** 15mΩ max.  
**Dielectric Withstanding Voltage:** 1000V AC/1min min.  
**Insulation Resistance:** 5000MΩ min.

### Physical

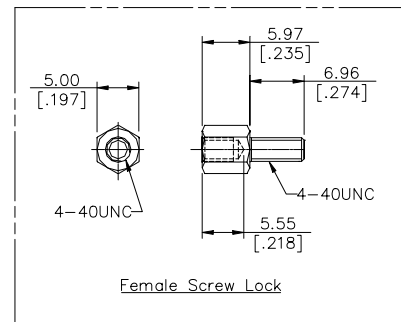
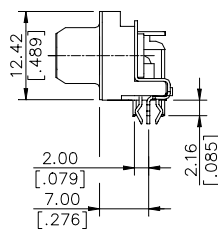
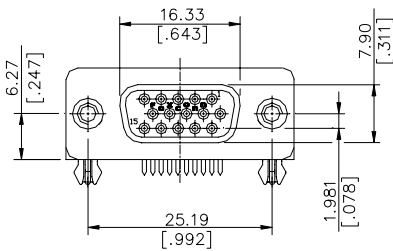
**Housing:** Thermoplastic, UL 94V-0 rated in Blue 661C Color  
**Contact:** Copper alloy  
**Plating:** See "ORDERING INFORMATION"  
**Operating Temperature:** -20°C to +85°C  
**Recommended Thickness of PCB:** 1.57[.062]



## DRAWING



RECOMMENDED P.C.B. LAYOUT



Female Screw Lock

## ORDERING INFORMATION

PRODUCT NO.: DZ 1 1 A 3 \* - P\*\*

VGA Series

Body Type

1=Right Angle PCB Mount

Termination Type

1=Female

NO. of Pos.

A=H/D 15 Pos.

Body Length

3=7.0

Extension Code

Contact Area Plating

1=Gold Flash

2=20u" Gold

3=30u" Gold

6=10u" Gold

7=15u" Gold

F=Gold Flash(Lead Free)

DZ11A3*-P34	WITH FEMALE SCREW LOCK
DZ11A3*-P33	WITHOUT FEMALE SCREW LOCK
P/N	CHARACTER