

TECHNICAL CHARACTERISTICS

MATERIAL

INSULATOR: PA 6T  
 FLAMMABILITY RATING: UL94-V0  
 COLOR: BLACK  
 CONTACT MATERIAL: COPPER ALLOY  
 CONTACT TYPE: STAMPED  
 CONTACT PLATING: GOLD  
 QUALITY CLASS: 3 AS PER CECC 75 301-802  
 PITCH: 1.27 MM

ENVIRONMENTAL

OPERATING TEMPERATURE: -40 UP TO 125°C  
 COMPLIANCE: LEAD FREE AND ROHS

ELECTRICAL

CURRENT RATING: 1A MAX  
 WORKING VOLTAGE: 50 VAC  
 INSULATOR RESISTANCE: >1000 MOHM  
 DIELECTRIC WITHSTANDING VOLTAGE: 500 VAC/MN  
 CONTACT RESISTANCE: 20 mOHM MAX

STANDARD

 CERTIFIED: E323964

SOLDERING

JEDEC LEAD FREE REFLOW SOLDERING PROCESS

PACKAGING

TUBE

DIMENSION

A = 1.27 x (NB. PIN / 2 - 1)  
 B = 1.27 x (NB. PIN / 2)

|                |           |           |    |
|----------------|-----------|-----------|----|
| RoHS Compliant |           |           |    |
|                |           |           |    |
|                |           |           |    |
|                |           |           |    |
| I              | 09-DEC-15 | TPK       | AK |
| H              | 13-JUL-26 | A & B DIM | QL |
| REV            | DATE      | FILE      | BY |

PROJECTION:



APPROVAL: GMo

GENERAL TOLERANCE

.X = +/- 0.2  
 .XX = +/- 0.15

UNIT: MM

SCALE:

SHEET: 1/3

DRAW: PEARL



DESCRIPTION: 1.27MM DUAL SMT PIN HEADER H=3.80MM

WERI PART NO: 621 0xx 210 21

SIZE

**A4**

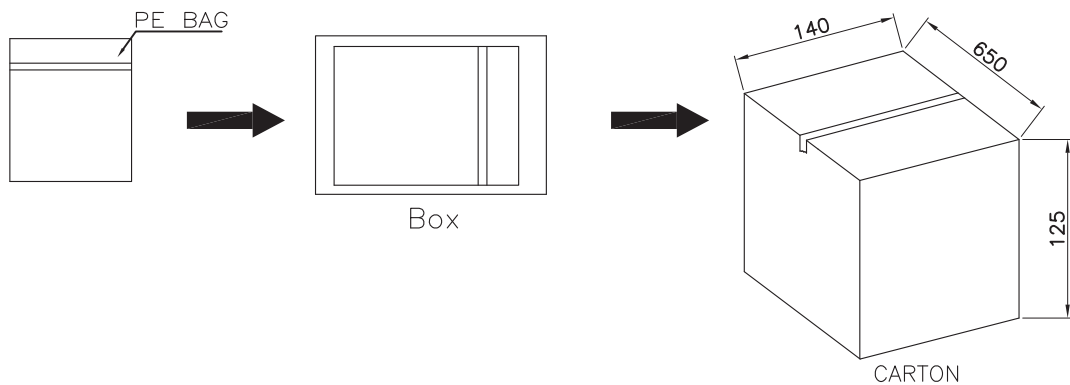
1

2

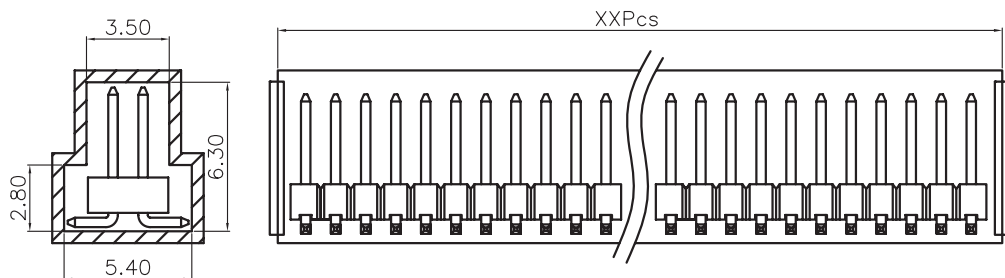
3

4

5

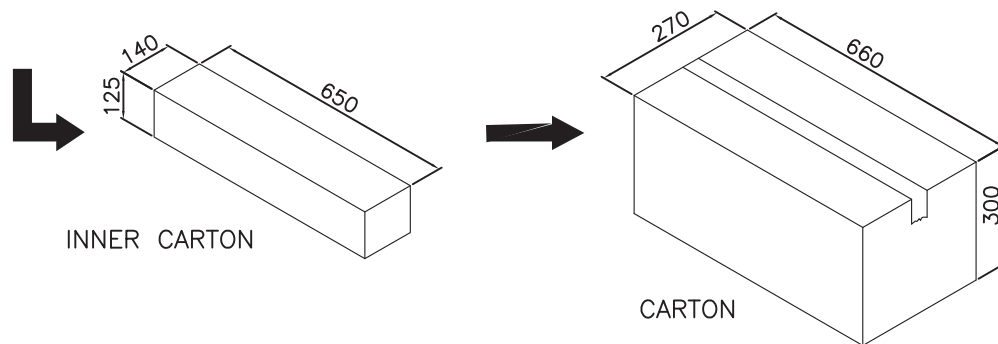


| Pin | Pcs/Bag | Pcs/Box | Pcs/Carton |
|-----|---------|---------|------------|
| 04  | 500     |         |            |
| 06  | 500     |         |            |

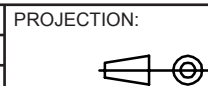


Note:  
1.Dimension  
Tube Size:635(L) (mm)

| Pin. | Pcs/Tube | Pcs/Inner Carton | Pcs/Carton | Pin. | Pcs/Tube | Pcs/Inner Carton | Pcs/Carton |
|------|----------|------------------|------------|------|----------|------------------|------------|
| 8    | 120      |                  |            | 46   | 21       |                  |            |
| 10   | 96       |                  |            | 48   | 20       |                  |            |
| 12   | 80       |                  |            | 50   | 19       |                  |            |
| 14   | 68       |                  |            | 52   | 18       |                  |            |
| 16   | 60       |                  |            | 54   | 17       |                  |            |
| 18   | 54       |                  |            | 56   | 17       |                  |            |
| 20   | 48       |                  |            | 58   | 16       |                  |            |
| 22   | 43       |                  |            | 60   | 16       |                  |            |
| 24   | 40       |                  |            | 62   | 15       |                  |            |
| 26   | 37       |                  |            | 64   | 15       |                  |            |
| 28   | 34       |                  |            | 66   | 14       |                  |            |
| 30   | 32       |                  |            | 68   | 14       |                  |            |
| 32   | 30       |                  |            | 70   | 13       |                  |            |
| 34   | 28       |                  |            | 72   | 13       |                  |            |
| 36   | 26       |                  |            | 74   | 13       |                  |            |
| 38   | 25       |                  |            | 76   | 12       |                  |            |
| 40   | 24       |                  |            | 78   | 12       |                  |            |
| 42   | 23       |                  |            | 80   | 12       |                  |            |
| 44   | 22       |                  |            |      |          |                  |            |



| RoHS Compliant |      |      |    |
|----------------|------|------|----|
| G              |      |      |    |
| F              |      |      |    |
| E              |      |      |    |
| D              |      |      |    |
| C              |      |      |    |
| B              |      |      |    |
| A              |      |      |    |
| REV            | DATE | FILE | BY |



APPROVAL: Gmo

GENERAL TOLERANCE

.X = +/- 0.2

.XX = +/- 0.15



UNIT: MM

SCALE:

SHEET: 2/3

DRAW: AK

DESCRIPTION: 1.27MM DUAL SMT PIN HEADER H=3.80MM

WERI PART NO: 621 0xx 210 21

SIZE

**A4**

A

B

C

D

1

2

3

4

5

## Cautions and Warnings:

This electronic component is designed and developed with the intention for use in general electronics equipments.

Before incorporating the components into any equipments in the field such as aerospace, aviation, nuclear control, submarine, transportation, (automotive control, train control, ship control), transportation signal, disaster prevention, medical, public information network etc. where higher safety and reliability are especially required or if there is possibility of direct damage or injury to human body, Würth Elektronik must be asked for a written approval.

In addition, even electronic component in general electronic equipments, when used in electrical circuits that require high safety, reliability functions or performance, the sufficient reliability evaluation-check for the safety must be performed before by the user before usage.

A

B

C

RoHS Compliant

|     |           |      |    |  |   |   |                   |
|-----|-----------|------|----|--|---|---|-------------------|
| G   |           |      |    | PROJECTION:<br> | GENERAL TOLERANCE<br>.X = +/- 0.2<br>.XX = +/- 0.15 |  |                   |
| F   |           |      |    |  |   |   |                   |
| E   |           |      |    |  |   |   |                   |
| D   |           |      |    |  |   |   |                   |
| C   |           |      |    | APPROVAL: JC   | UNIT: MM  | DESCRIPTION: DISCLAIMER   | SIZE<br><b>A4</b> |
| B   |           |      |    |  | SCALE:  |   |                   |
| A   | 10-SEP-14 | PDF  | QL |  | SHEET: 3/3  | WERI PART NO: DISCLAIMER  |                   |
| REV | DATE      | FILE | BY |  | DRAW: QL  |   |                   |

D