

Digital Delay Units

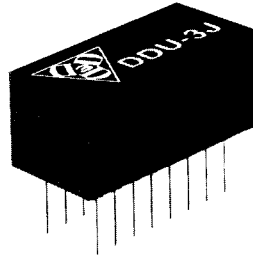
SERIES: **DDU-3J**

1 to 5 Taps (16 pins DIP)
T²L Interfaced



Features:

- Completely interfaced for TTL and DTL applications.
- No external components required.
- Fits standard 16 pins DIP sockets.
- P. C. Board space economy achieved.

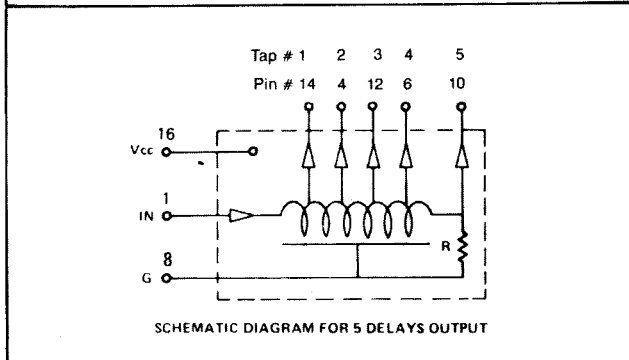
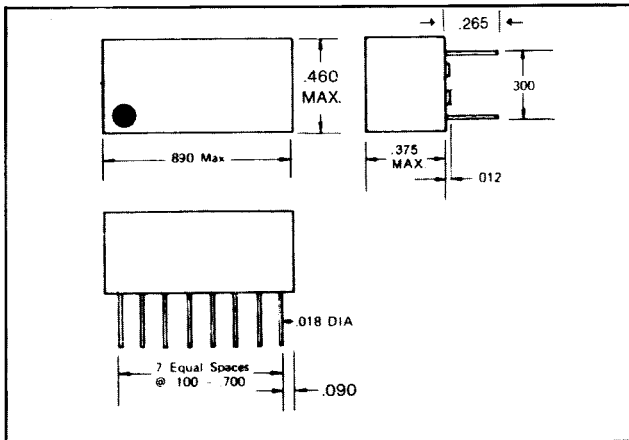


Specifications:

- **Delay tolerance:** $\pm 5\%$ or better or 2NS whichever is greater.
- **Rise-time:** 4 NS typically.
- **Temperature coefficient:** 100 PPM/ $^{\circ}$ C.
- **Temperature range:** -0° C to 70° C standard. (-55° C. to $+125^{\circ}$ C. on request)*
- **Supply voltage:** 4.5 to 5.5 Vdc.
- **Logic 1 input current:** 50 ua max.
- **Logic 0 input current:** -2 ma. max.
- **Logic 1 V out:** 2.5 V min.
- **Logic 0 V out:** 0.5 V max.

- **Logic 1 Fan-out:** 20/tap max.
- **Logic 0 Fan-out:** 10/tap max.
- **Power Dissipation:** 375 MW max.

*Add "M" after Part No. Example DDU-3J-1010M



Single Delay Output (NS)		2 Delays Output (NS)		
Part No.	Delay @ Pin #10	Part No.	Delay @ Pin #12	Delay @ Pin #10
DDU-3J-1010	10	DDU-3J-2020	10	20
DDU-3J-1020	20	DDU-3J-2040	20	40
DDU-3J-1030	30	DDU-3J-2050	25	50
DDU-3J-1040	40	DDU-3J-2060	30	60
DDU-3J-1050	50	DDU-3J-2080	40	80
DDU-3J-1060	60	DDU-3J-2100	50	100
DDU-3J-1080	80	DDU-3J-2150	75	150
DDU-3J-1100	100	DDU-3J-2200	100	200
DDU-3J-1150	150	DDU-3J-2300	150	300
DDU-3J-1200	200	DDU-3J-2400	200	400
DDU-3J-1300	300	DDU-3J-2500	250	500
DDU-3J-1400	400			
DDU-3J-1500	500			

5 Delays Output (NS)					
Part No.	Delay @ Pin #14	Delay @ Pin #4	Delay @ Pin #12	Delay @ Pin #6	Delay @ Pin #10
DDU-3J-5025	5	10	15	20	25
DDU-3J-5050	10	20	30	40	50
DDU-3J-5075	15	30	45	60	75
DDU-3J-5100	20	40	60	80	100
DDU-3J-5125	25	50	75	100	125
DDU-3J-5150	30	60	90	120	150
DDU-3J-5200	40	80	120	160	200
DDU-3J-5250	50	100	150	200	250
DDU-3J-5300	60	120	180	240	300
DDU-3J-5400	80	160	240	320	400
DDU-3J-5500	100	200	300	400	500