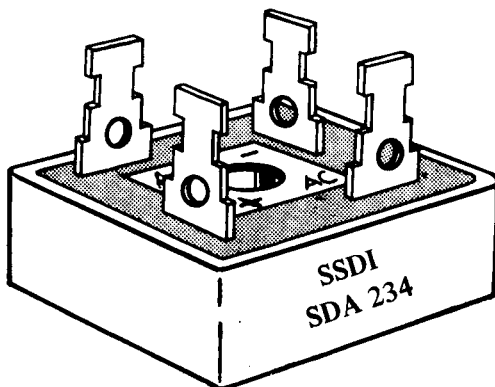


PRELIMINARY SPECIFICATION INTENDED FOR APPLICATION REQUIRING HIGH SURGE RATINGS

X00173

# 40 amp bridge rectifier assembly



- AVERAGE OUTPUT CURRENT 40 AMPS
- PIV 50 TO 1000 VOLTS
- MAX THERMAL RESISTANCE 1.0° C/WATT
- HIGH SURGE RATING 600 AMPS MIN.
- ALUMINUM CASE
- UNIVERSAL 3 WAY SOLDER TERMINALS
- LOW LEAKAGE 5uA MAX

SSDI introduces a new and complete line of Single Phase, Rectifier Bridge Assemblies. Designed in aluminum cases to provide maximum thermal conductivity and simple installation. Universal 3 way solder terminals provide the designer a choice of wire wrap or soldering hole. Fast recovery bridges are available on special order.

Consult your factory representative for engineering assistance.

Type	PIV per leg	Sine Wave RMS input Voltage Max.	Average DC Output Amps TC = (case temp.)			Average DC Output Amps TA = Ambient Temp. (No heat Sink)			Peak 1 Cycle Forward Surge	Peak Recurrent Forward	VF Max. per leg @ 1.0ADC	Reverse Current (I <sub>r</sub> Max. per leg. @ PIV)	
			55 °C	100 °C	125 °C	25 °C	55 °C	100 °C				25 °C	100 °C
	VOLTS	VOLTS	AMPS	AMPS	AMPS	AMPS	AMPS	AMPS	AMPS	AMPS	VOLTS	UA	UA
SDA 234A	50	35	40	29.5	20	12	10	6	600	200	1.1	5	100
SDA 234B	100	70	40	29.5	20	12	10	6	600	200	1.1	5	100
SDA 234C	200	140	40	29.5	20	12	10	6	600	200	1.1	5	100
SDA 234D	400	280	40	29.5	20	12	10	6	600	200	1.1	5	100
SDA 234E	600	420	40	29.5	20	12	10	6	600	200	1.1	5	100
SDA 234F	800	560	40	29.5	20	12	10	6	600	200	1.1	5	100
SDA 234G	1000	700	40	29.5	20	12	10	6	600	200	1.1	5	100

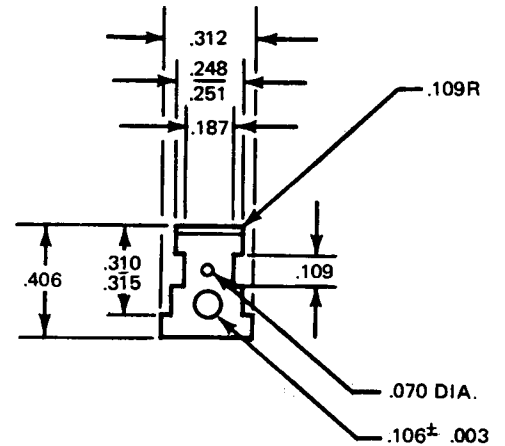
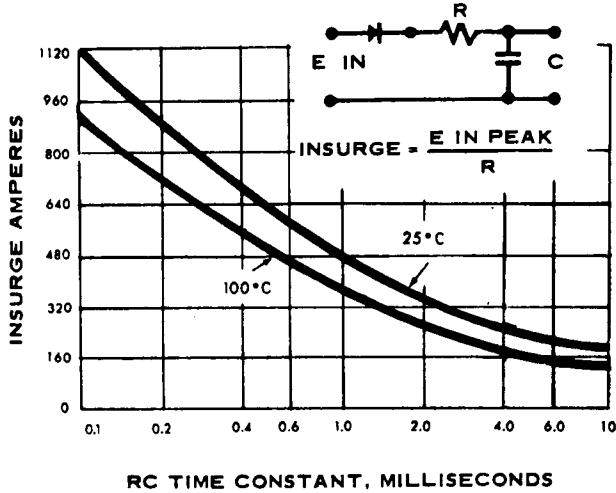


**SOLID STATE DEVICES, INC.**

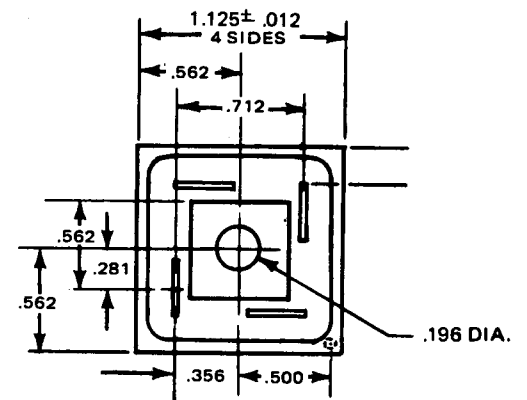
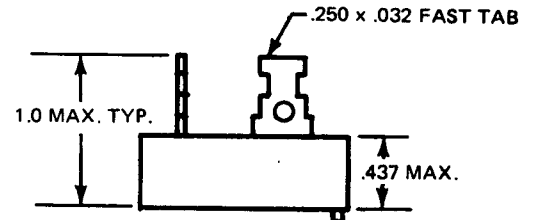
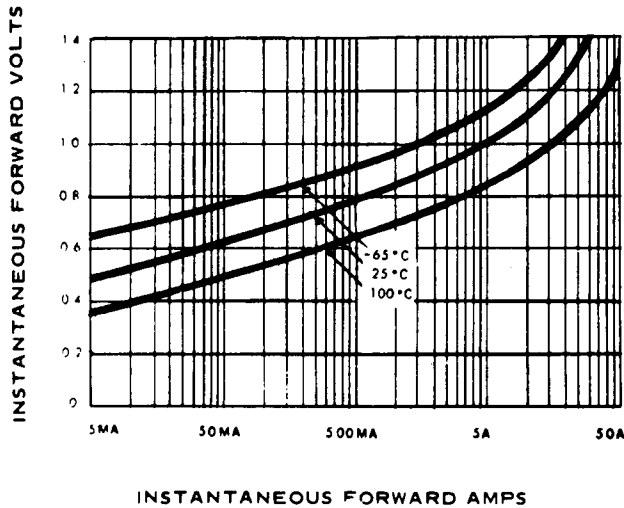


# application notes

MAXIMUM RATINGS FOR CAPACITY LOADS



TYPICAL DYNAMIC FORWARD CHARACTERISTICS AT VARIOUS JUNCTION TEMPERATURES PER LEG



TOLERANCE XX± .03  
 XXX± .020  
 FRACTIONAL = NOMINAL DIMENSION



# SOLID STATE DEVICES, INC.

14830 Valley View Avenue • La Mirada, California 90638

Telephone: (213) 921-9660 • TWX 910-583-4807

Form 312-2