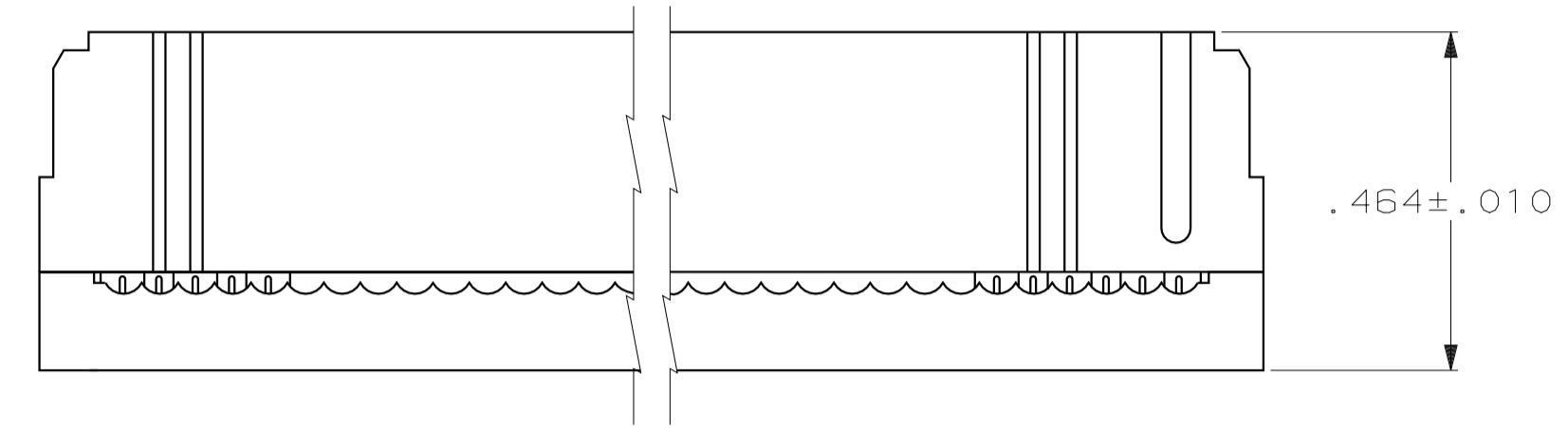
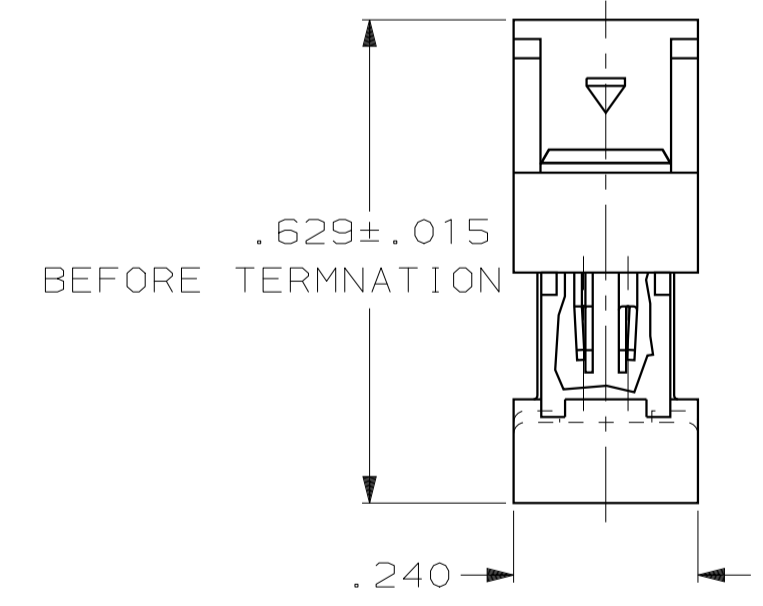
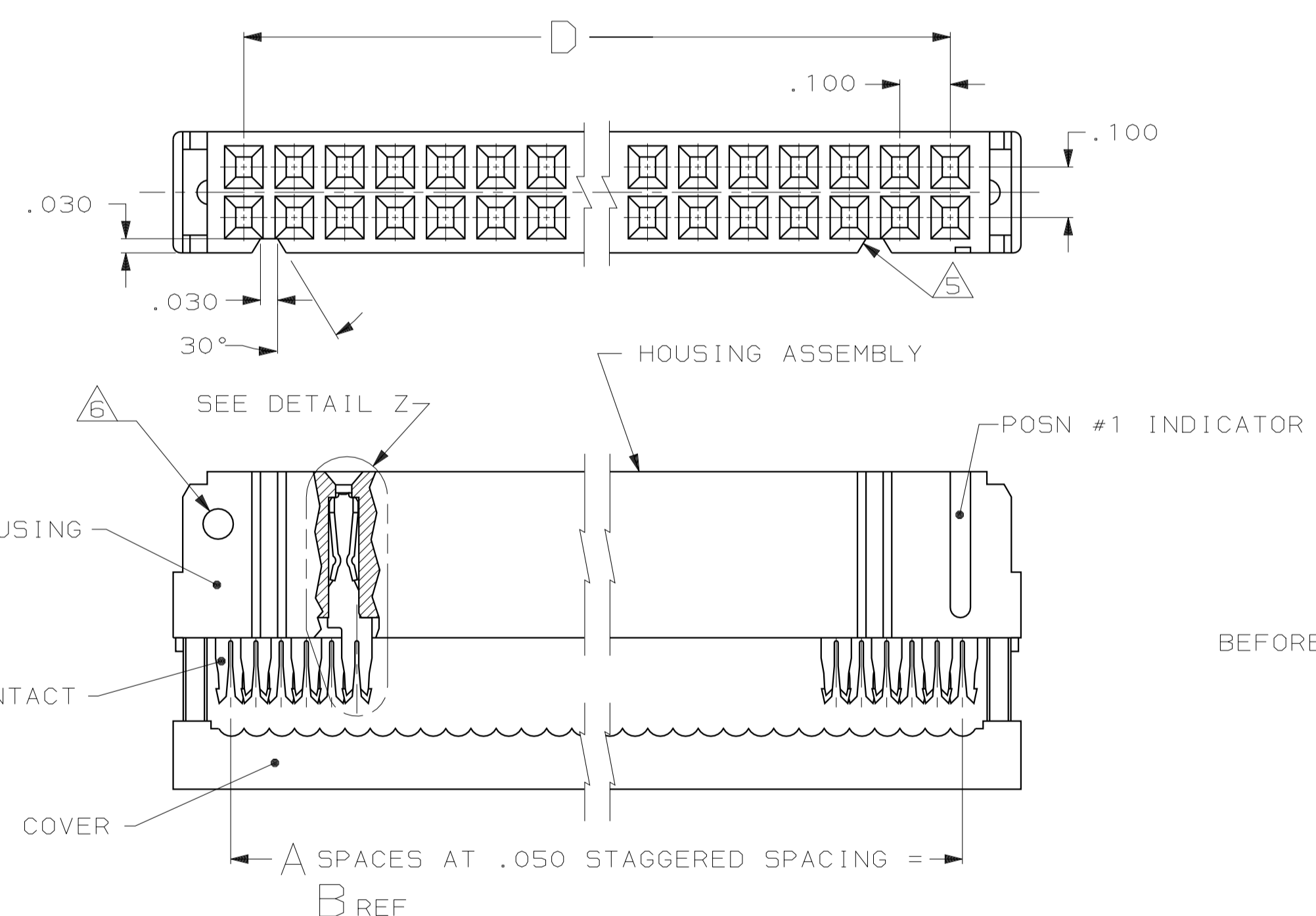


LOC	DIST	REVISIONS				
GP	00	REV	DESCRIPTION	DATE	DWN	APVD
F			OBSOLETE -8, -9, -10, -12, -13 PER ECN 051A-0161-99	8 JAN 01	JCB	CWR

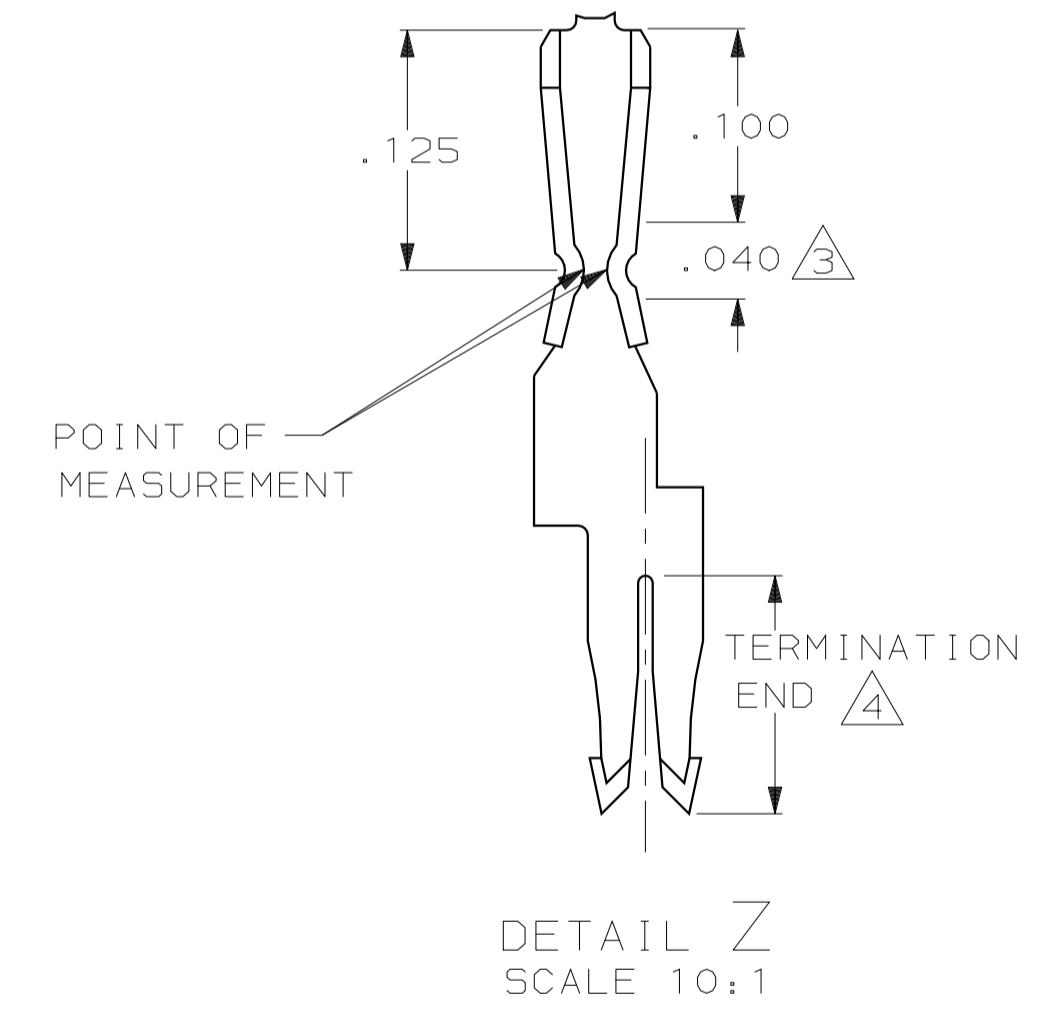


TERMINATED VIEW

- ① FLAME RETARDANT 94V-0 RATED GLASS FILLED POLYESTER OR NYLON, COLOR: BLACK.
- ② PHOSPHOR BRONZE PER QQ-B-750.
- ③ PLATED WITH .000030 GOLD OVER .000050 NICKEL.
- ④ PLATED WITH .000100-.000200 BRIGHT TIN LEAD OVER .000050 NICKEL.
- ⑤ POLARIZING FEATURE DOES NOT EXIST ON SAME END AS THE POSN #1 INDICATOR ON 10 AND 14 POSN PRODUCT.
- ⑥ CIRCLE SCRIBED EITHER SIDE OR END OF HOUSING TO IDENTIFY USE OF STANDARD PRESSURE CONTACTS.



.629 ± .015 BEFORE TERMINATION



	D	C	B	A	NO OF POSN	PART NUMBER
OBSOLETE	3.100	3.380	3.150	63	64	1- 499566 -4
OBSOLETE	2.900	3.180	2.950	59	60	1- -3
OBSOLETE	2.400	2.680	2.450	49	50	1- -2
OBSOLETE	1.900	2.180	1.950	39	40	1- -0
OBSOLETE	1.600	1.880	1.650	33	34	-9
OBSOLETE	1.400	1.680	1.450	29	30	-8
SUPSD BY 499568-7	1.200	1.480	1.250	25	26	-7
SUPSD BY 499568-6	1.100	1.380	1.150	23	24	-6
SUPSD BY 499568-4	.900	1.180	.950	19	20	-4
SUPSD BY 499568-3	.700	.980	.750	15	16	-3
SUPSD BY 499568-2	.600	.880	.650	13	14	-2
SUPSD BY 499568-1	.400	.680	.450	9	10	499566 -1

<small>THIS DRAWING IS A CONTROLLED DOCUMENT FOR AMP INCORPORATED. IT IS SUBJECT TO CHANGE AND THE CONTROLLING ENGINEERING ORGANIZATION SHOULD BE CONTACTED FOR THE LATEST REVISION.</small>		DWN J. PEACHEY 06/16/87 CHK J. YOUNG 06/29/87	AMP AMP Incorporated Harrisburg, PA 17105-3608
DIMENSIONS: mm (INCHES)	TOLERANCES UNLESS OTHERWISE SPECIFIED: 0 PLC ±.01 1 PLC ±.01 2 PLC ±.01 3 PLC ±.005 4 PLC ±.01 ANGLES ±5°	NAME RECEPTACLE KIT, MIL PLZN, 30 GOLD DUPLEX STD PRESS CONTACTS W/STD COV, AMP-LATCH™ PRODUCT SPEC 108-40009 APPLICATION SPEC 114-0005	SIZE A1 CAGE CODE 00779 DRAWING NO C-499566
MATERIAL MOLDED PARTS CONTACTS	FINISH CONTACTS	WEIGHT - CUSTOMER DRAWING	SCALE 4:1 SHEET 1 OF 1 REV E