

# UT54ACS74/UT54ACTS74

## Radiation-Hardened Dual D Flip-Flops with Clear & Preset

### FEATURES

- 1.2μ radiation-hardened CMOS
  - Latchup immune
- High speed
- Low power consumption
- Single 5 volt supply
- Available QML Q or V processes
- Flexible package
  - 14-pin DIP
  - 14-lead flatpack

### DESCRIPTION

The UT54ACS74 and the UT54ACTS74 contain two independent D-type positive triggered flip-flops. A low level at the Preset or Clear inputs sets or resets the outputs regardless of the levels of the other inputs. When Preset and Clear are inactive (high), data at the D input meeting the setup time requirement is transferred to the outputs on the positive-going edge of the clock pulse. Following the hold time interval, data at the D input may be changed without affecting the levels at the outputs.

The devices are characterized over full military temperature range of -55°C to +125°C.

### FUNCTION TABLE

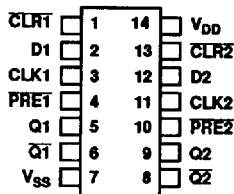
INPUTS				OUTPUT	
PRE	CLR	CLK	D	Q	$\bar{Q}$
L	H	X	X	H	L
H	L	X	X	L	H
L	L	X	X	H <sup>1</sup>	H <sup>1</sup>
H	H	↑	H	H	L
H	H	↑	L	L	H
H	H	L	X	Q <sub>0</sub>	$\bar{Q}$ <sub>0</sub>

**Note:**

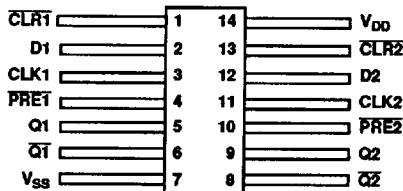
1. The output levels in this configuration are not guaranteed to meet the minimum levels for V<sub>OH</sub> if the lows at preset and clear are near V<sub>IL</sub> maximum. In addition, this configuration is nonstable; that is, it will not persist when either preset or clear returns to its inactive (high) level.

### PINOUTS

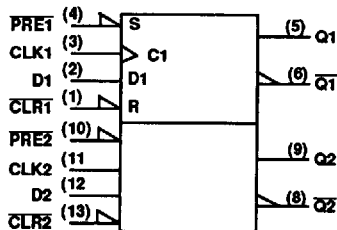
14-Pin DIP  
Top View



14-Lead Flatpack  
Top View



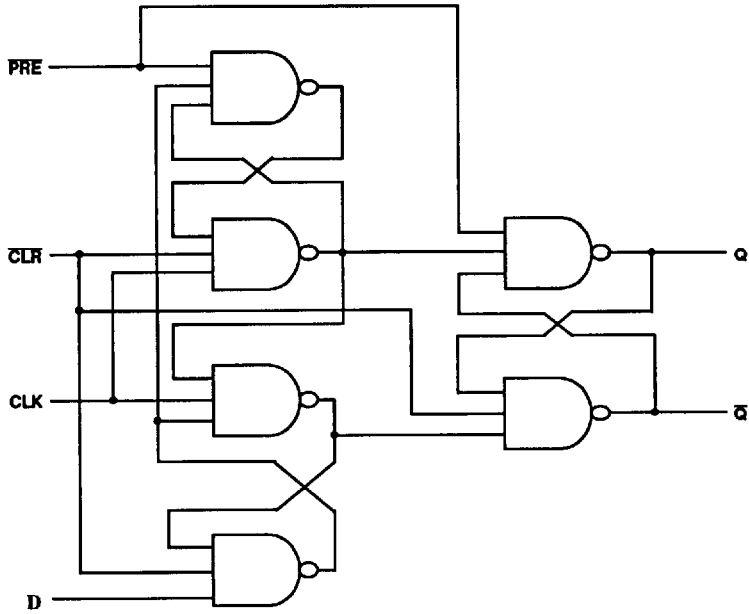
### LOGIC SYMBOL



**Note:**

1. Logic symbol in accordance with ANSI/IEEE standard 91-1984 and IEC Publication 617-12.

LOGIC DIAGRAM



# UT54ACS74/UT54ACTS74

## RADIATION HARDNESS SPECIFICATIONS<sup>1</sup>

PARAMETER	LIMIT	UNITS
Total Dose	1.0E6	rads(Si)
SEU & SEL Threshold <sup>2</sup>	80	MeV-cm <sup>2</sup> /mg
Neutron Fluence	1.0E14	n/cm <sup>2</sup>

**Notes:**

1. Logic will not latchup during radiation exposure within the limits defined in the table.
2. Device storage elements are immune to SEU affects.

## ABSOLUTE MAXIMUM RATINGS

SYMBOL	PARAMETER	LIMIT	UNITS
V <sub>DD</sub>	Supply voltage	-0.3 to 7.0	V
V <sub>I/O</sub>	Voltage any pin	-.3 to V <sub>DD</sub> +.3	V
T <sub>STG</sub>	Storage Temperature range	-65 to +150	°C
T <sub>J</sub>	Maximum junction temperature	+175	°C
T <sub>LS</sub>	Lead temperature (soldering 5 seconds)	+300	°C
Θ <sub>JC</sub>	Thermal resistance junction to case	20	°C/W
I <sub>I</sub>	DC input current	±10	mA
P <sub>D</sub>	Maximum power dissipation	1	W

**Note:**

1. Stresses outside the listed absolute maximum ratings may cause permanent damage to the device. This is a stress rating only, functional operation of the device at these or any other conditions beyond limits indicated in the operational sections is not recommended. Exposure to absolute maximum rating conditions for extended periods may affect device reliability.

## RECOMMENDED OPERATING CONDITIONS

SYMBOL	PARAMETER	LIMIT	UNITS
V <sub>DD</sub>	Supply voltage	4.5 to 5.5	V
V <sub>IN</sub>	Input voltage any pin	0 to V <sub>DD</sub>	V
T <sub>C</sub>	Temperature range	-55 to + 125	°C

DC ELECTRICAL CHARACTERISTICS <sup>7</sup>(V<sub>DD</sub> = 5.0V ±10%; V<sub>SS</sub> = 0V <sup>6</sup>, -55°C < T<sub>C</sub> < +125°C)

SYMBOL	PARAMETER	CONDITION	MIN	MAX	UNIT
V <sub>IL</sub>	Low-level input voltage <sup>1</sup> ACTS ACS			0.8 .3V <sub>DD</sub>	V
V <sub>IH</sub>	High-level input voltage <sup>1</sup> ACTS ACS		.5V <sub>DD</sub> .7V <sub>DD</sub>		V
I <sub>IN</sub>	Input leakage current ACTS/ACS	V <sub>IN</sub> = V <sub>DD</sub> or V <sub>SS</sub>	-1	1	μA
V <sub>OL</sub>	Low-level output voltage <sup>3</sup> ACTS ACS	I <sub>OL</sub> = 8.0mA I <sub>OL</sub> = 100μA		0.40 0.25	V
V <sub>OH</sub>	High-level output voltage <sup>3</sup> ACTS ACS	I <sub>OH</sub> = -8.0mA I <sub>OH</sub> = -100μA	.7V <sub>DD</sub> V <sub>DD</sub> - 0.25		V
I <sub>OS</sub>	Short-circuit output current <sup>2,4</sup> ACTS/ACS	V <sub>O</sub> = V <sub>DD</sub> and V <sub>SS</sub>	-200	200	mA
P <sub>total</sub>	Power dissipation <sup>8,9</sup>	C <sub>L</sub> = 50pF		1.9	mW/MHz
I <sub>DDQ</sub>	Quiescent Supply Current	V <sub>DD</sub> = 5.5V		10	μA
C <sub>IN</sub>	Input capacitance <sup>5</sup>	f = 1MHz @ 0V		15	pF
C <sub>OUT</sub>	Output capacitance <sup>5</sup>	f = 1MHz @ 0V		15	pF

## Notes:

- Functional tests are conducted in accordance with MIL-STD-883 with the following input test conditions: V<sub>IH</sub> = V<sub>IH</sub>(min) + 20%, - 0%; V<sub>IL</sub> = V<sub>IL</sub>(max) + 0%, - 50%, as specified herein, for TTL, CMOS, or Schmitt compatible inputs. Devices may be tested using any input voltage within the above specified range, but are guaranteed to V<sub>IH</sub>(min) and V<sub>IL</sub>(max).
- Supplied as a design limit but not guaranteed or tested.
- Per MIL-M-38510, for current density ≤ 5.0E5 amps/cm<sup>2</sup>, the maximum product of load capacitance (per output buffer) times frequency should not exceed 3,765 pF MHz.
- Not more than one output may be shorted at a time for maximum duration of one second.
- Capacitance measured for initial qualification and when design changes may affect the value. Capacitance is measured between the designated terminal and V<sub>SS</sub> at a frequency of 1MHz and a signal amplitude of 50mV rms maximum.
- Maximum allowable relative shift equals 50mV.
- All specifications valid for radiation dose ≤ 1E6 rads(Si).
- Power does not include power contribution of any TTL output sink current.
- Power dissipation specified per switching output

UT54ACS74/UT54ACTS74

AC ELECTRICAL CHARACTERISTICS<sup>2</sup>

( $V_{DD} = 5.0V \pm 10\%$ ;  $V_{SS} = 0V$ <sup>1</sup>,  $-55^{\circ}C < T_C < +125^{\circ}C$ )

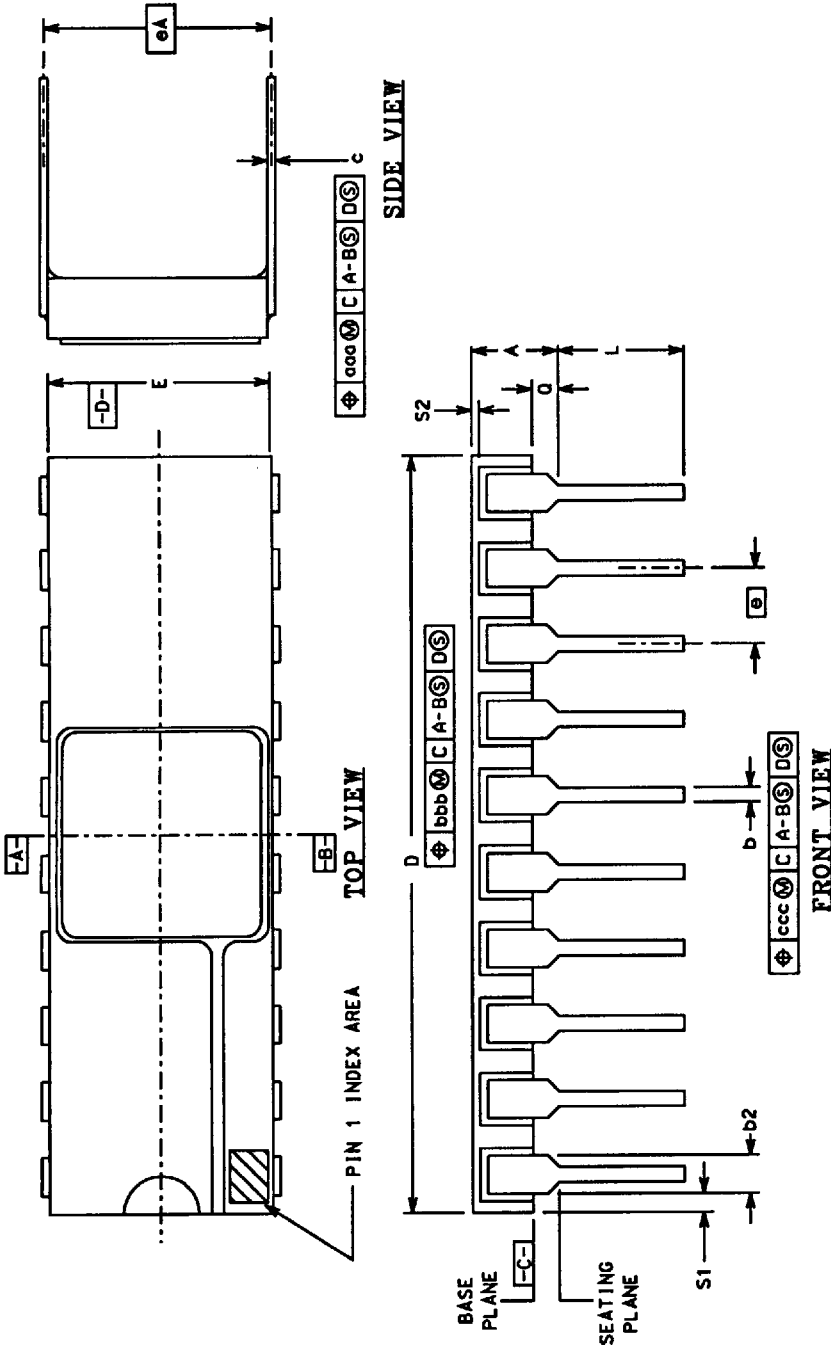
SYMBOL	PARAMETER	MINIMUM	MAXIMUM	UNIT
$t_{PHL}$	CLK to Q, $\bar{Q}$	1	21	ns
$t_{PLH}$	CLK to Q, $\bar{Q}$	1	20	ns
$t_{PLH}$	$\overline{PRE}$ to Q	1	15	ns
$t_{PHL}$	$\overline{PRE}$ to $\bar{Q}$	1	19	ns
$t_{PHL}$	$\overline{CLR}$ to Q	1	19	ns
$t_{PLH}$	$\overline{CLR}$ to $\bar{Q}$	1	15	ns
$f_{MAX}$	Maximum clock frequency		71	MHz
$t_{SU}$	Setup time before CLK $\uparrow$ $\overline{PRE}$ or $\overline{CLR}$ inactive Data	5		ns
$t_H$	Data hold time after CLK $\uparrow$	2		ns
$t_W$	Minimum pulse width $\overline{PRE}$ or $\overline{CLR}$ low CLK high CLK low	7		ns

Notes:

1. Maximum allowable relative shift equals 50mV.
2. All specifications valid for radiation dose  $\leq 1E6$  rads(Si).

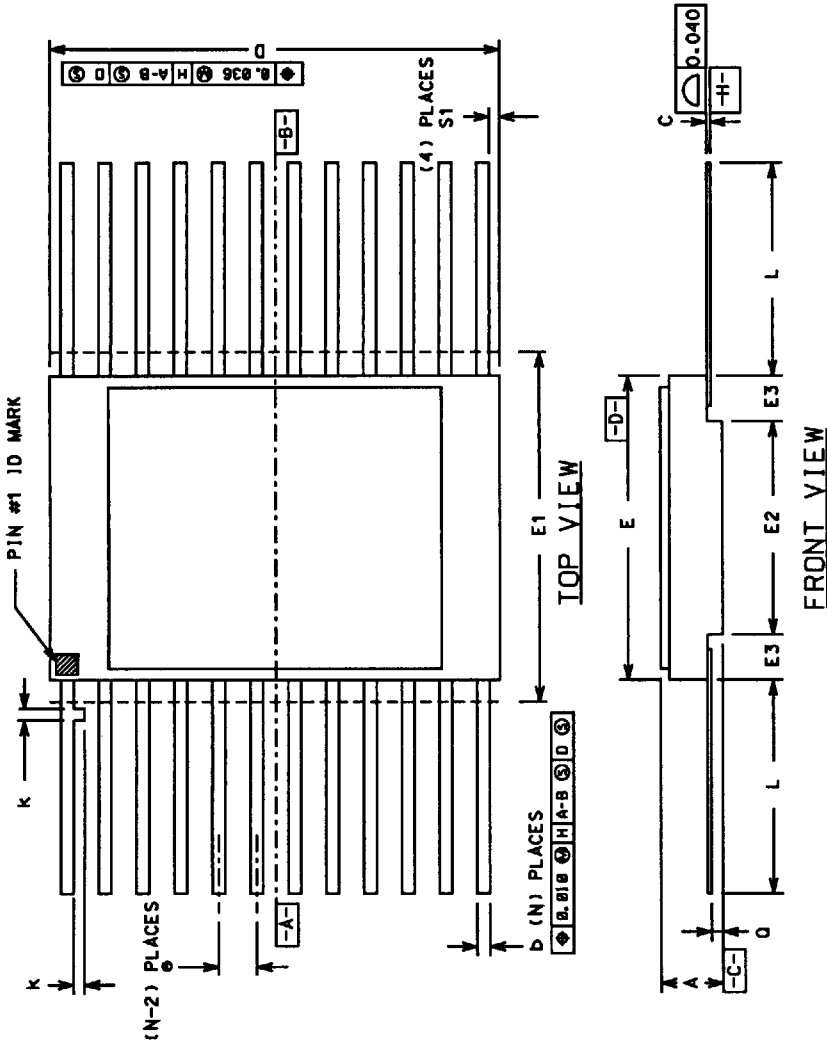
## 2.0 RAD-HARD MSI PACKAGES

### Side-Brazed Packages



PKG CONFIG	MIL-STD- 1835 Dwg CONF C	DIMENSION SYMBOLS														
		A	b	b2	c	D	E	e	eA	L	Q	S1	S2	ddd	bbb	ccc
-01	14 D-1	0.200	0.026	0.065	0.018	0.785	0.310	0.100	0.300	0.200	0.060	0.005	0.005	0.015	0.030	0.010
-02	16 D-2	0.200	0.014	0.065	0.018	0.840	0.310	0.100	0.300	0.200	0.060	0.005	0.005	0.015	0.030	0.010
-03	20 D-8	0.200	0.026	0.065	0.018	1.060	0.310	0.100	0.300	0.200	0.070	0.005	0.005	0.015	0.030	0.010
			0.014	0.045	0.008		0.220	0.100	0.300	0.125	0.015	0.005	0.005	0.015	0.030	0.010
			0.014	0.045	0.008		0.220	0.100	0.300	0.125	0.015	0.005	0.005	0.015	0.030	0.010
			0.014	0.045	0.008		0.220	0.100	0.300	0.125	0.015	0.005	0.005	0.015	0.030	0.010

# Flatpack Packages



PKG CONFIG	LEAD COUNT	MIL-STD 1835 DWG CONF B	DIMENSION SYMBOLS												
			A	b	c	D	E	E1	E2	E3	e	k	L	O	S1
-03	14	F-2A	0.115	0.022	0.009	0.390	0.260	0.290	0.130	0.030	0.050	0.015	0.370	0.045	---
			0.045	0.015	0.004	---	0.235	---	---	---	BSC	0.008	0.270	0.026	0.005
-04	16	F-5A	0.115	0.022	0.009	0.440	0.285	0.315	0.130	0.030	0.050	0.015	0.370	0.045	---
			0.045	0.015	0.004	---	0.245	---	---	---	BSC	0.008	0.250	0.026	0.005
-05	20	F-9A	0.115	0.022	0.009	0.540	0.300	0.330	0.130	0.030	0.050	0.015	0.370	0.045	---
			0.045	0.015	0.004	---	0.245	---	---	---	BSC	0.008	0.250	0.026	0.000