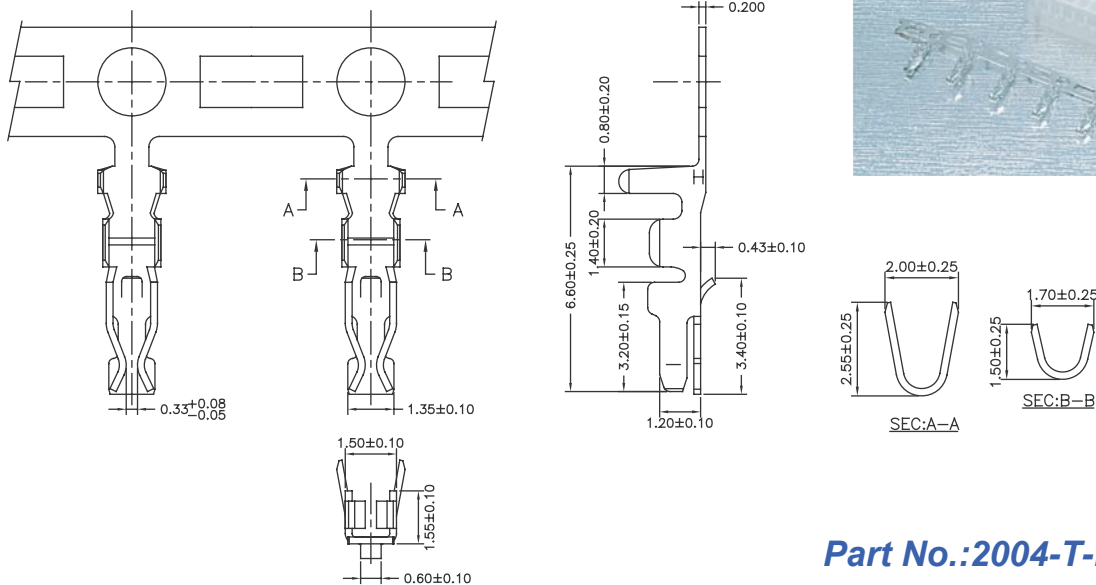




2.0mm TERMINAL / HOUSING



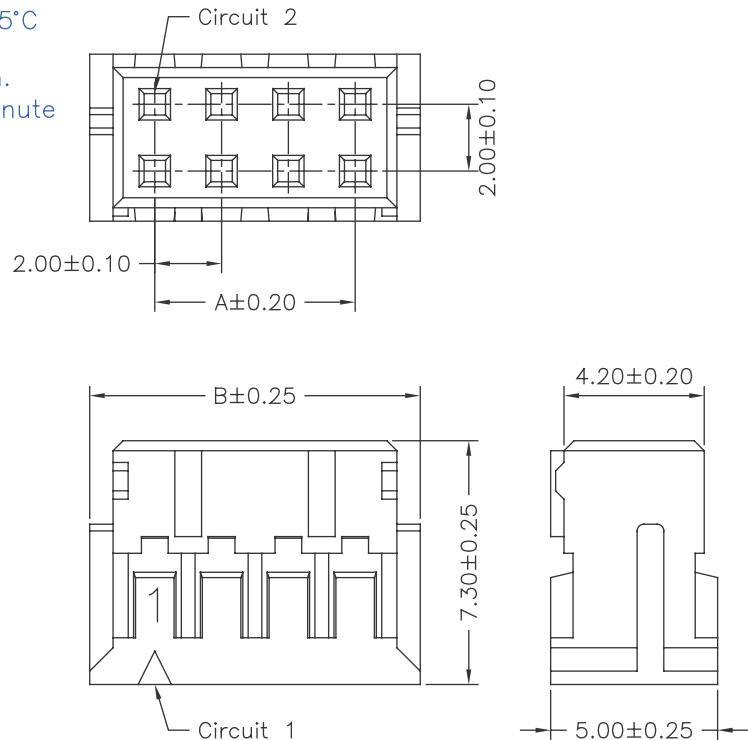
Part No.:2004-T-L

Part No	Wire Range	Insulation O.D.	Material	Finish	Qty/reel
2004-TTP-L	AWG#22-#28	1.50mm(max)	Phosphor Bronze	Tin-plated	10,000pcs
2004-TGP-L	AWG#22-#28	1.50mm(max)	Phosphor Bronze	Gold-flash	10,000pcs

SPECIFICATIONS

Current Rating: 2A AC,DC
 Voltage Rating: 250V AC,DC
 Temperature Range: -25°C ~ +85°C
 Contact Resistance: 10mΩ Max.
 Insulation Resistance: 1000MΩ Min.
 Withstanding Voltage: 800V AC/minute
 Material: Nylon 66,UL94V-0
 Color: Natural(White)

PART NO.	Dimensions	
	A	B
2004H-202W-L	2.00	5.90
2004H-203W-L	4.00	7.90
2004H-204W-L	6.00	9.90
2004H-205W-L	8.00	11.90
2004H-206W-L	10.00	13.90
2004H-207W-L	12.00	15.90
2004H-208W-L	14.00	17.90
2004H-209W-L	16.00	19.90
2004H-210W-L	18.00	21.90
2004H-211W-L	20.00	23.90
2004H-212W-L	22.00	25.90
2004H-213W-L	24.00	27.90
2004H-214W-L	26.00	29.90
2004H-215W-L	28.00	31.90
2004H-216W-L	30.00	33.90
2004H-217W-L	32.00	35.90
2004H-218W-L	34.00	37.90
2004H-219W-L	36.00	39.90
2004H-220W-L	38.00	41.90



Part No.:2004H-2XXW-L