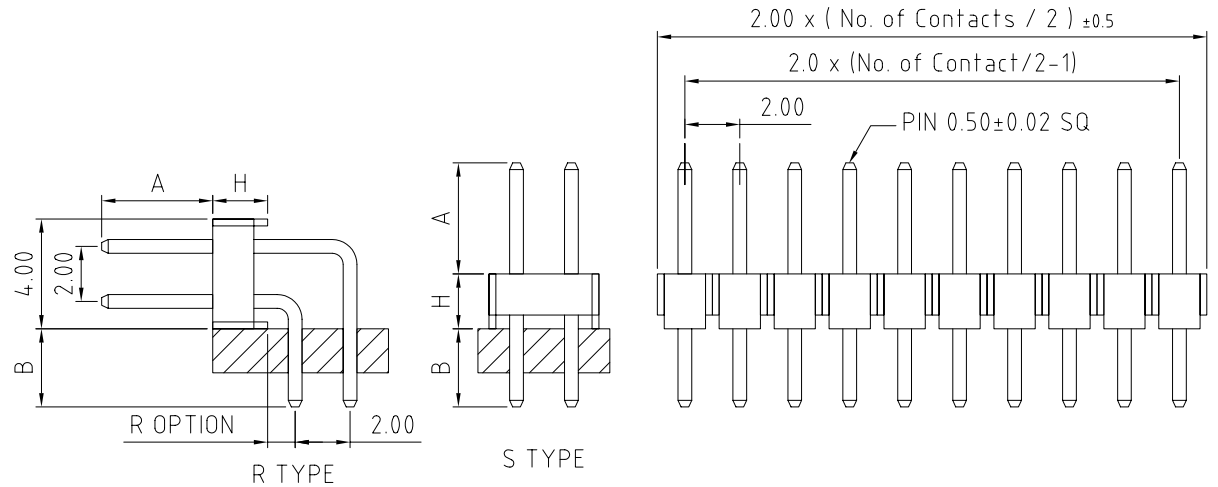


BB02-FD :- 2.00mm (0.79") PIN HEADER, DUAL ROW, THROUGH HOLE, 4 to 80 CONTACTS, STRAIGHT & RIGHT ANGLE

SPECIFICATIONS

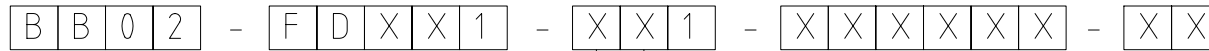
CURRENT RATING 1 AMP
 INSULATOR RESISTANCE 5000 MEGOHMS MIN.
 DIELECTRIC WITHSTANDING AC 500 V
 OPERATING TEMPERATURE -40° TO +105°C
 CONTACT MATERIAL COPPER ALLOY
 INSULATOR MATERIAL POLYESTER,UL 94V-0
 STANDARD P.B.T.
 FINISH GOLD, SELECTIVE GOLD OR TIN PLATED
 SOLDERABILITY: PBT - MANUAL SOLDER: 330°C FOR 3-5 SEC
 (NOT SUITABLE FOR HI-TEMP PROCESS)
 NYLON 6T - IR REFLOW: 260°C FOR 10 SEC
 WAVE: 230°C FOR 5-10 SEC
 MANUAL SOLDER: 350°C FOR 3-5 SEC



PACKED LOOSE IN BAG Δ

MATES WITH :- BB02-GH BB02-GT
 BB02-GK BB02-GY
 BB02-GL BB02-GZ
 BB02-GM BB02-RG
 BB02-GP BB02-RJ
 BB02-GQ

HOW TO ORDER



NO. OF CONTACTS
04 TO 80

CONTACT PLATING
 GOLD FLASH = K
 10 MICRO INCHES GOLD = A
 15 MICRO INCHES GOLD = B
 30 MICRO INCHES GOLD = C
 TIN = T
 SELECTIVE GOLD FLASH = D
 SELECTIVE 10 MICRO INCHES GOLD = E
 SELECTIVE 15 MICRO INCHES GOLD = F
 SELECTIVE 30 MICRO INCHES = G
 STANDARD = K

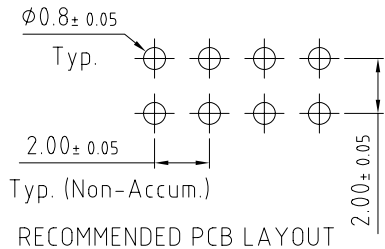
H DIMENSION
 A = 1.5mm
 B = 2.0mm
 STANDARD = B

PIN LENGTH A (1/10mm)
 PLEASE SPECIFY PIN LENGTH REQUIRED
 I.E. 4.0mm = 40
 STANDARD = 40
 TOL. $\pm 0.2\text{mm}$

PIN LENGTH B (1/10mm)
 PLEASE SPECIFY PIN LENGTH REQUIRED
 I.E. 2.8mm = 28
 STANDARD = 28
 TOL. $\pm 0.2\text{mm}$

INSULATOR MATERIAL Δ
 BLANK = PBT (STANDARD)
 6T = NYLON 6T (HI-TEMP)

CONNECTOR TYPE
 S0 = STRAIGHT
 R0 = RIGHT ANGLE 1.0mm
 R1 = RIGHT ANGLE 1.27mm



REV. DATE & DRN
 01 09/06/02 - S11 RELEASE
 02 09/06/02 - S11 RELEASE
 03 09/06/02 - S11 RELEASE
 04 09/06/02 - S11 RELEASE
 05 09/06/02 - S11 RELEASE
 06 09/06/02 - S11 RELEASE
 07 09/06/02 - S11 RELEASE
 08 09/06/02 - S11 RELEASE
 09 09/06/02 - S11 RELEASE
 10 09/06/02 - S11 RELEASE
 11 09/06/02 - S11 RELEASE
 12 08/08/06 - NYW
 13 ADD PLASTIC OPTION.
 14 07/02/07 - CHC
 15 ADD CONNECTOR TYPE OPTION.

Scale: 5:1	THIRD ANGLE	Unstated Tolerances: 0 Dec Places 1 Dec Places 2 Dec Places 3 Dec Places	Material SEE NOTE
Drawn: CHC			
App'd: XXXX	Title PIN HEADER		NOT TO SCALE
Date: 7 FEB '07	Revision: 1.3		UNIT: mm

www.gradconn.com

Type: BB02-FD
BB02-FD
Drawing Number:
Sheet 1 of 1
Drawing © E and O E