

PRODUCT NUMBER
76382-YXXLF

PLATING

3=0.76µm GOLD ON CONTACT AREA
3.81µm TIN-LEAD ON TAIL

4=3.81µm TIN-LEAD ON CONTACT AREA
AND ON TAIL

WHEN "LF" IS REQUIRED, 2µm MIN
MATTE TIN OVER 1.27µm MIN NICKEL
IS PROVIDED INSTEAD OF TIN-LEAD

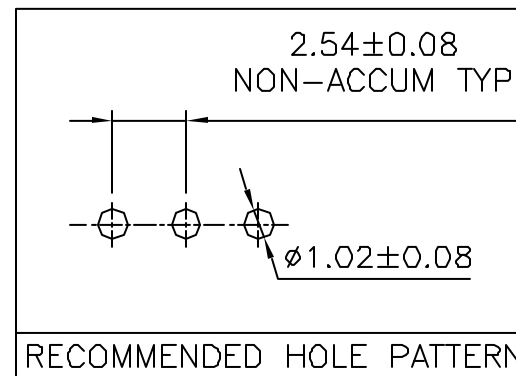
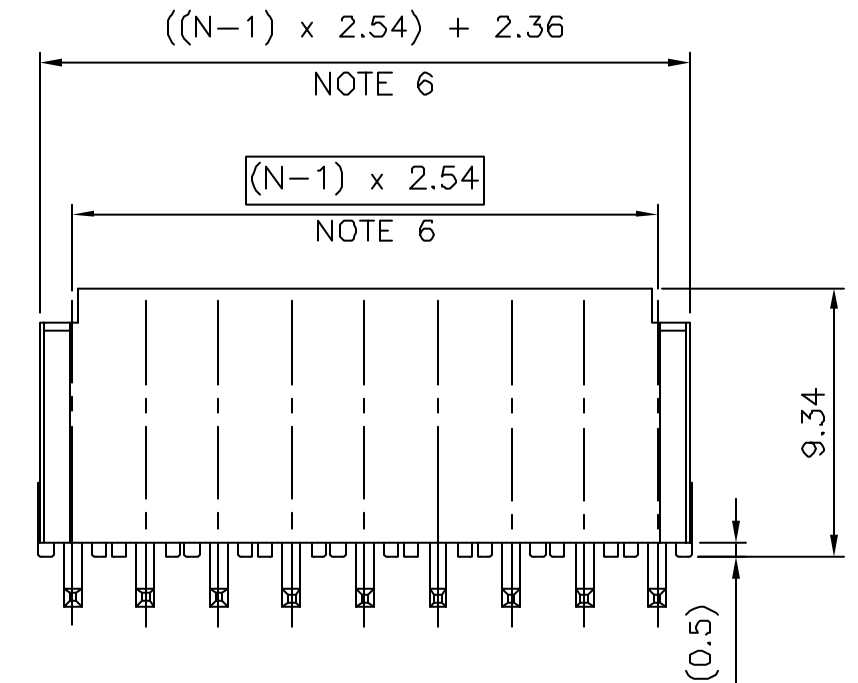
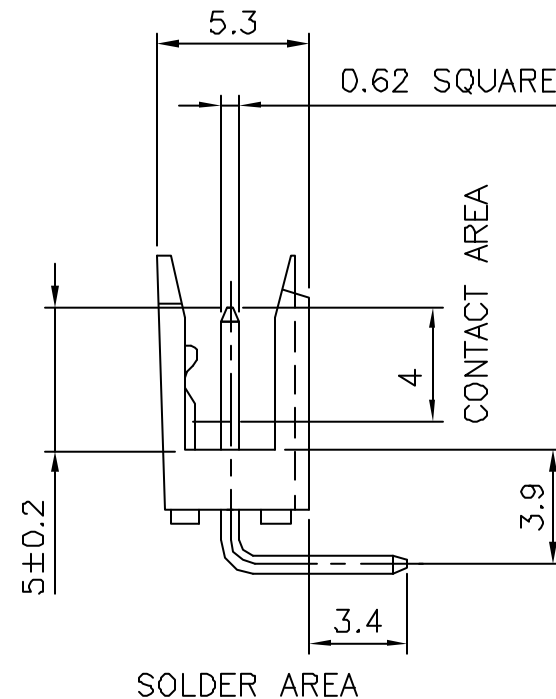
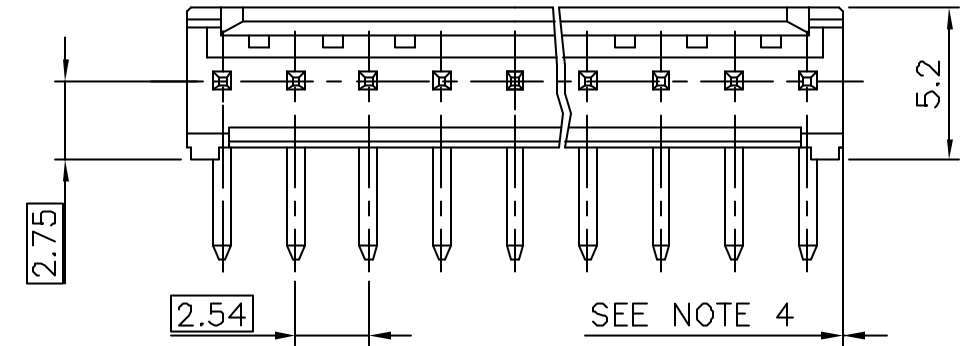
WHEN REQUIRED, ADD SUFFIX LETTER "LF"
INDICATES THE PRODUCT IS RoHS
COMPATIBLE, SEE NOTE 7

NUMBER OF POSITIONS : 02 TO 36

NOTES:

1. BODY MATERIAL: POLYESTER 30% GLASSFILLED COLOR BLUE, FLAME RETARDANT PER UL-94 V0.
2. CONTACT MATERIAL: PHOSPHOR BRONZE.
3. 22N MIN PIN RETENTION IN EITHER DIRECTION
4. 0.6 MAX PROTRUSION PERMITTED AT 4 PLACES
5. PACKAGING :
- POLYBAGS FROM 02 TO 06 POSITIONS
- TUBE FROM 07 TO 36 POSITIONS
6. TO DETERMINE DIMENSIONS :
N = NUMBER OF POSITIONS PER ROW
EXAMPLE : 8 POS $N \times 2.54 = 20.32\text{mm}$
7. RoHS COMPATIBLE PRODUCT SPECIFICATIONS
 - a - PLATING:
- "LF" MEANS THE PRODUCT IS LEAD-FREE,
2µm MINIMUM MATTE TIN OVER 1.27µm
MINIMUM NICKEL UNDERPLATE.
 - b - MANUFACTURING PROCESS COMPATIBILITY
- THE HOUSING WILL WITHSTAND EXPOSURE TO
245°C ±5°C SOLDER BATH TEMPERATURE FOR
5 SECONDS IN A WAVE SOLDER APPLICATION
WITH A 1.6mm MIN THICK CIRCUIT BOARD.
 - c - LABELING:
- MEETS PACKAGING SPECS AS PER GS-14-920
 - d - LEGAL STATEMENT: SEE GS-22-008

TOP VIEW



mat'l. code SEE NOTE				surface ISO 1302 ✓	tolerance ISO 406 ISO 1101	projection mm	product family DUBOX	
J	F90331	DLE	99.05.07	tolerances unless otherwise specified angles Linear	.X ±0.3	scale 5:1	title SHR. HEADER RA SR TMT	
K	F10120	DLE	01.01.24		.XX ±0.15		dwg no 76382	
L	F05-0117	LMU	05.01.27		.XXX ±0.05		sheet 1 of 1 size A3	
M	F05-0244	JCO	05.09.06	dr	D.LE	01.01.24	type CUSTOMER Drawing	
N	F06-0228	LMU	06.07.11	enr	JM.C	01.01.24		
				chr	JM.C	01.01.24		
				app	JF.N	01.01.24		
sheet index	revision sheet							