

Small Signal Product

Hermetically Sealed Glass Zener Voltage Regulators

FEATURES

- Zener voltage range 3.3 to 56 volts
- Ideal for automated placement
- Hermetically sealed glass
- Compression bonded construction
- All external surfaces are corrosion resistant and leads are readily solderable
- Matte Tin (Sn) lead finish
- Blue color band indicates negative polarity
- Packing code with suffix "G" means Halogen free


MELF


MAXIMUM RATINGS AND ELECTRICAL CHARACTERISTICS (T _A =25°C unless otherwise noted)			
PARAMETER	SYMBOL	VALUE	UNIT
Power Dissipation	P _D	1	W
Thermal Resistance Junction to Ambient	R _{θJA}	170	°C/W
Junction Temperature Range	T _J	175	°C
Storage Temperature Range	T _{STG}	- 65 to +200	°C

Note : These ratings are limiting values above which the serviceability of the diode may be impaired

Small Signal Product

 ELECTRICAL CHARACTERISTICS ($T_A = 25^\circ\text{C}$ unless otherwise noted)

Type Number	$V_Z @ I_{ZT}$ (Volts) Nominal	I_{ZT} (mA)	$Z_{ZT} @ I_{ZT}$ (Ohm) Max.	I_{ZK} (mA)	$Z_{ZK} @ I_{ZK}$ (Ohm)	$I_R @ V_R$ (μA) Max.	V_R (Volts)
ZM4728A	3.3	76	10	1.0	400	100	1.0
ZM4729A	3.6	69	10	1.0	400	100	1.0
ZM4730A	3.9	64	9	1.0	400	50	1.0
ZM4731A	4.3	58	9	1.0	400	10	1.0
ZM4732A	4.7	53	8	1.0	500	10	1.0
ZM4733A	5.1	49	7	1.0	550	10	1.0
ZM4734A	5.6	45	5	1.0	600	10	2.0
ZM4735A	6.2	41	2	1.0	700	10	3.0
ZM4736A	6.8	37	3.5	1.0	700	10	4.0
ZM4737A	7.5	34	4.0	0.5	700	10	5.0
ZM4738A	8.2	31	4.5	0.5	700	10	6.0
ZM4739A	9.1	28	5.0	0.5	700	10	7.0
ZM4740A	10	25	7.0	0.25	700	10	7.6
ZM4741A	11	23	8.0	0.25	700	5.0	8.4
ZM4742A	12	21	9.0	0.25	700	5.0	9.1
ZM4743A	13	19	10	0.25	700	5.0	9.9
ZM4744A	15	17	14	0.25	700	5.0	11.4
ZM4745A	16	15.5	16	0.25	700	5.0	12.2
ZM4746A	18	14.0	20	0.25	700	5.0	13.7
ZM4747A	20	12.5	22	0.25	750	5.0	15.2
ZM4748A	22	11.5	23	0.25	750	5.0	16.7
ZM4749A	24	10.5	25	0.25	750	5.0	18.2
ZM4750A	27	9.5	35	0.25	750	5.0	20.6
ZM4751A	30	8.5	40	0.25	1000	5.0	22.8
ZM4752A	33	7.5	45	0.25	1000	5.0	25.1
ZM4753A	36	7.0	50	0.25	1000	5.0	27.4
ZM4754A	39	6.5	60	0.25	1000	5.0	29.7
ZM4755A	43	6.0	70	0.25	1500	5.0	32.7
ZM4756A	47	5.5	80	0.25	1500	5.0	35.8
ZM4757A	51	5.0	95	0.25	1500	5.0	38.8
ZM4758A	56	4.5	110	0.25	2000	5.0	42.6

 Notes : 1. The device numbers listed have a standard tolerance on the nominal zener voltage of $\pm 5\%$.

2. For detailed information on price, availability and delivery of nominal zener voltages between the voltages shown and tighter voltage tolerances, contact your nearest Taiwan Semiconductor representative.

 3. The zener impedance is derived from the 60-cycle ac voltage, which results when an ac current having an RMS value equal to 10% of the dc zener current (I_{ZT} or I_{ZK}) is superimposed to I_{ZT} or I_{ZK} .

Small Signal Product

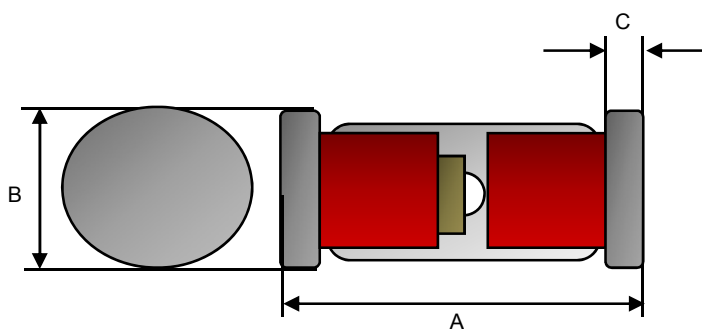
ORDERING INFORMATION					
PART NO.	PART NO. SUFFIX (Note 2)	PACKING CODE	PACKING CODE SUFFIX	PACKAGE	PACKING
ZM47xxA (Note1)	-xx	L0	G	MELF	5K / 13" Reel

Note 1: "xxx" defines voltage from 3.3V (ZM4728A) to 56V (ZM4758A)

Note 2: Part No. Suffix „-xx “ would be used for special requirement

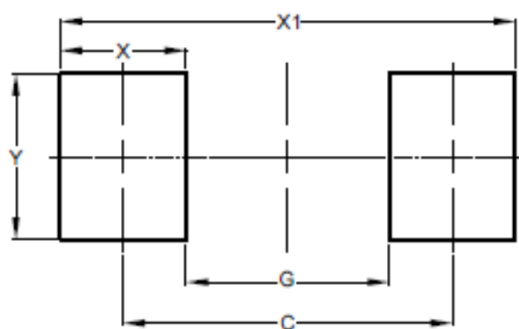
EXAMPLE					
PREFERRED P/N	PART NO.	PART NO. SUFFIX	PACKING CODE	PACKING CODE SUFFIX	DESCRIPTION
ZM4758A L0G	ZM4758A		L0	G	Multiple manufacture source Halogen free
ZM4758A-L0 L0G	ZM4758A	-L0	L0	G	Define manufacture source Halogen free

PACKAGE OUTLINE DIMENSION



DIM.	Unit (mm)		Unit (inch)	
	Min	Max	Min	Max
A	4.80	5.50	0.189	0.217
B	2.25	2.67	0.089	0.105
C	0.30	0.60	0.012	0.024

SUGGEST PAD LAYOUT



DIM.	Unit (mm)		Unit (inch)	
	Typ.		Typ.	
C	4.80		0.189	
G	3.30		0.130	
X	1.50		0.059	
X1	6.30		0.248	
Y	2.70		0.106	

Notice

Specifications of the products displayed herein are subject to change without notice. TSC or anyone on its behalf, assumes no responsibility or liability for any errors or inaccuracies.

Information contained herein is intended to provide a product description only. No license, express or implied, to any intellectual property rights is granted by this document. Except as provided in TSC's terms and conditions of sale for such products, TSC assumes no liability whatsoever, and disclaims any express or implied warranty, relating to sale and/or use of TSC products including liability or warranties relating to fitness for a particular purpose, merchantability, or infringement of any patent, copyright, or other intellectual property right.

The products shown herein are not designed for use in medical, life-saving, or life-sustaining applications. Customers using or selling these products for use in such applications do so at their own risk and agree to fully indemnify TSC for any damages resulting from such improper use or sale.