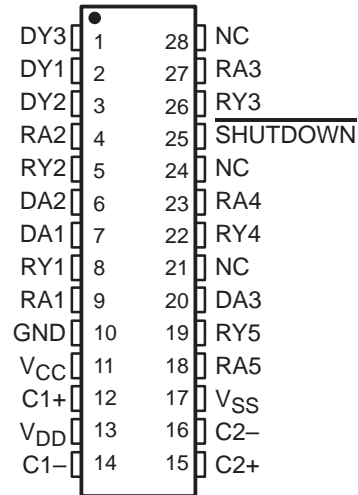


SN75LBC187 MULTICHANNEL EIA-232 DRIVER/RECEIVER WITH CHARGE PUMP

SLLS130C – SEPTEMBER 1991 – REVISED MAY 1995

- **Single IC and Single 5-V Supply Interface for Serial Communication Ports**
- **Meets or Exceeds the Requirements of ANSI Standards EIA/TIA-232-E-1991, EIA/TIA-562, and ITU Recommendation V.28**
- **Switched-Capacitor Voltage Converter Eliminates Need for ± 12 -V Supplies**
- **Voltage Converter Operates With Low Capacitance . . . 0.1 μ F Min**
- **Designed for Data Rates up to 120 kb/s Over 3-m Cable**
- **Available in Shrink Small-Outline 25-mil-Pitch Package**
- **Shutdown Mode to Save Power When Not in Use**
- **± 30 -V Receiver Input Voltage Range**
- **LinBiCMOS™ Process Technology**
- **Applications**
 - Laptop or Notebook Computers
 - Portable Terminals
 - Single-Board Computers
 - Portable Test Equipment

**DB PACKAGE
(TOP VIEW)**



NC—No internal connection

description

The SN75LBC187 is a low-power LinBiCMOS™ device containing three drivers, five receivers, and a switched-capacitor voltage converter. The SN75LBC187 provides a single chip and single 5-V supply interface between the asynchronous communications element and the serial port connector of the data terminal equipment (DTE). This device has been designed to conform to ANSI Standards EIA/TIA-232-E, EIA/TIA-562, and ITU recommendation V.28.

The switched-capacitor voltage converter of the SN75LBC187 uses four small external capacitors to generate the positive and negative voltages required by EIA/TIA-232-E (and V.28) line drivers from a single 5-V input. The drivers feature output slew-rate limiting to eliminate the need for external filter capacitors. The receivers can accept ± 30 V without damage. The device also features a reduced power or shutdown mode that cuts the quiescent power to the IC when not transmitting data between the CPU and peripheral.

The SN75LBC187 has been designed using LinBiCMOS™ technology and cells contained in the Texas Instruments LinASIC™ library. The SN75LBC187 is characterized for operation from 0°C to 70°C.

NOTE:

This device includes circuit designs and process technologies that have patents pending.



Please be aware that an important notice concerning availability, standard warranty, and use in critical applications of Texas Instruments semiconductor products and disclaimers thereto appears at the end of this data sheet.

LinBiCMOS and LinASIC are a trademarks of Texas Instruments Incorporated.

PRODUCTION DATA information is current as of publication date. Products conform to specifications per the terms of Texas Instruments standard warranty. Production processing does not necessarily include testing of all parameters.



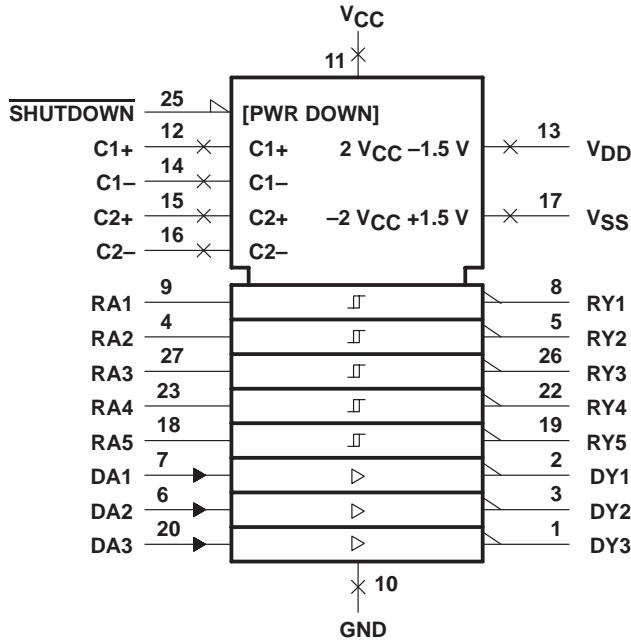
POST OFFICE BOX 655303 • DALLAS, TEXAS 75265

Copyright © 1995, Texas Instruments Incorporated

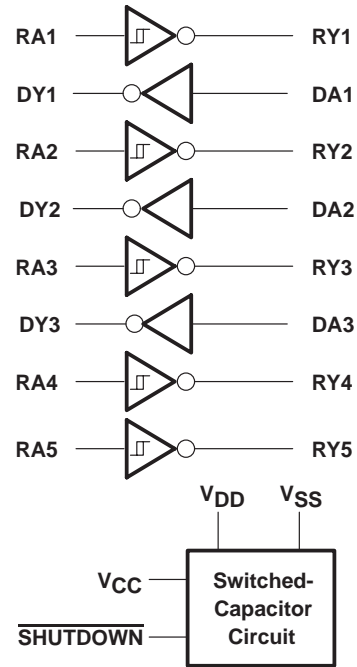
SN75LBC187 MULTICHANNEL EIA-232 DRIVER/RECEIVER WITH CHARGE PUMP

SLLS130C – SEPTEMBER 1991 – REVISED MAY 1995

logic symbol†



logic diagram (positive logic)



† This symbol is in accordance with ANSI/IEEE Std. 91-1984 and IEC Publication 617-12.

absolute maximum ratings over operating free-air temperature range (unless otherwise noted)‡

Supply voltage range, V_{CC} (see Note 1)	0.3 V to 6 V
Positive output supply voltage range, V_{DD}	$V_{CC} - 0.3$ V to 15 V
Negative output supply voltage range, V_{SS}	0.3 V to -15 V
Input voltage range, V_I : RA	± 30 V
All other inputs	-0.3 V to $V_{CC} + 3$ V
Output voltage range, V_O : DY	$-2 V_{CC} + 1.2$ V to $2 V_{CC} - 1.2$ V
All other outputs	-0.3 V to $V_{CC} + 3$ V
Continuous total power dissipation	See Dissipation Rating Table
Operating free-air temperature range, T_A	0°C to 70°C
Storage temperature range, T_{stg}	-65°C to 150°C
Lead temperature 1,6 mm (1/16 inch) from case for 10 seconds	260°C

‡ Stresses beyond those listed under "absolute maximum ratings" may cause permanent damage to the device. These are stress ratings only, and functional operation of the device at these or any other conditions beyond those indicated under "recommended operating conditions" is not implied. Exposure to absolute-maximum-rated conditions for extended periods may affect device reliability.

NOTE 1: All voltages are with respect to the network ground terminal.

DISSIPATION RATING TABLE

PACKAGE	$T_A \leq 25^\circ\text{C}$ POWER RATING	DERATING FACTOR ABOVE $T_A = 25^\circ\text{C}$	$T_A = 70^\circ\text{C}$ POWER RATING
DB	1025 mW	8.2 mW/ $^\circ\text{C}$	656 mW

SN75LBC187
MULTICHANNEL EIA-232 DRIVER/RECEIVER
WITH CHARGE PUMP

SLLS130C – SEPTEMBER 1991 – REVISED MAY 1995

recommended operating conditions

		MIN	NOM	MAX	UNIT	
Supply voltage, V_{CC}		4.5	5	5.5	V	
High-level input voltage, V_{IH}	DA	2			V	
	RA, <u>SHUTDOWN</u>	2.4				
Low-level input voltage, V_{IL}	RA, DA, <u>SHUTDOWN</u>	0.8			V	
Receiver input voltage, V_I		-25			25	V
High-level output current, I_{OH}	RY				-1	mA
Low-level output current, I_{OL}	RY				3.2	mA
Output current, I_O	V_{DD}				± 10	μA
	V_{SS}				± 10	μA
C1, C2, C3, C4 charge pump capacitors		0.1	0.47		μF	
Operating free-air temperature, T_A		0			70	$^{\circ}C$

electrical characteristics over recommended operating conditions (unless otherwise noted)

PARAMETER		TEST CONDITIONS		MIN	TYP†	MAX	UNIT	
V_{OH}	High-level output voltage	Receiver	$I_O = -1$ mA	3.5			V	
		Driver	$R_L = 3$ k Ω to GND	5	7			
V_{OL}	Low-level output voltage	Receiver	$I_O = 3.2$ mA	0.4			V	
		Driver	$R_L = 3$ k Ω to GND		-7	-5		
V_{IT+}	Receiver positive-going input voltage threshold				1.7	2.4	V	
V_{IT-}	Receiver negative-going input voltage threshold			0.8	1.2		V	
V_{hys}	Receiver input hysteresis voltage ($V_{IT+} - V_{IT-}$)				0.5	1	V	
r_i	Receiver input resistance	$V_{CC} = 5$ V, $T_A = 25^{\circ}C$		3	5	7	k Ω	
r_o	Driver output resistance	$V_{CC} = 0$, $V_O = \pm 2$ V		300			Ω	
I_I	Input current (DA, <u>SHUTDOWN</u>)	$V_I = 0$ to V_{CC}					± 50	μA
I_{OS}	Driver output short-circuit current	$V_O = 0$		± 10			mA	
I_{CC}	Supply current	Normal operation	All outputs open, <u>SHUTDOWN</u> at 2.4 V	15			30	mA
		Shutdown mode	All outputs open, <u>SHUTDOWN</u> at 0.1 V				10	μA

† All typical values are at $V_{CC} = 5$ V and $T_A = 25^{\circ}C$.

SN75LBC187
MULTICHANNEL EIA-232 DRIVER/RECEIVER
WITH CHARGE PUMP

SLLS130C – SEPTEMBER 1991 – REVISED MAY 1995

switching characteristics over recommended operating conditions, $T_A = 25^\circ\text{C}$ (unless otherwise noted)

PARAMETER		TEST CONDITIONS		MIN	MAX	UNIT
t _{PLH}	Propagation delay time, low- to high-level output	Receiver	R _L = 5 kΩ, See Figure 1	C _L = 50 pF,	1.25	μs
		Driver	R _L = 3 kΩ, See Figure 2	C _L = 1200 pF,	1.25	μs
t _{PHL}	Propagation delay time, high- to low-level output	Receiver	R _L = 5 kΩ, See Figure 1	C _L = 50 pF,	1.25	μs
		Driver	R _L = 3 kΩ, See Figure 2	C _L = 1200 pF,	1.25	μs
t _r	Rise time, driver output		R _L = 3 kΩ, V _O = -3 V to 3 V,	C _L = 50 pF, See Note 2	200	ns
			R _L = 3 kΩ, V _O = -3.3 V to 3.3 V,	C _L = 2500 pF, See Note 3	1.5	μs
t _f	Fall time, driver output		R _L = 3 kΩ, V _O = 3 V to -3 V	C _L = 50 pF,	200	ns
			R _L = 3 kΩ, V _O = 3.3 V to -3.3 V	C _L = 2500 pF,	1.5	μs

- NOTES: 2. The 200 ns for the output to change from -3 V to 3 V (or vice versa) corresponds to the 30 V/μs maximum slew rate of EIA/TIA-232-E, EIA/TIA-562, and ITU Recommendation V.28.
3. The more stringent requirement for transition times comes from the EIA/TIA-562, which requires the rise and fall times to be measured from 3.3 V.



PARAMETER MEASUREMENT INFORMATION

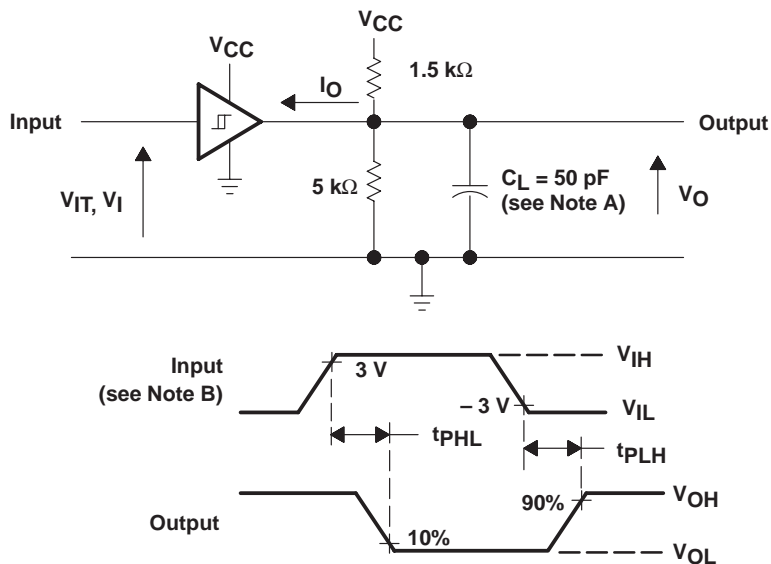
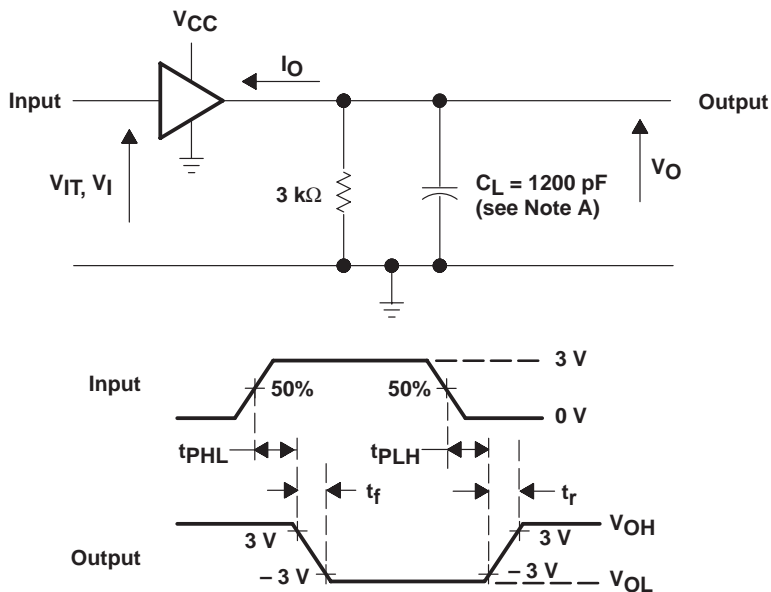


Figure 1. Receiver Test Circuit and Waveforms



NOTES: A. C_L includes probe and jig capacitance.

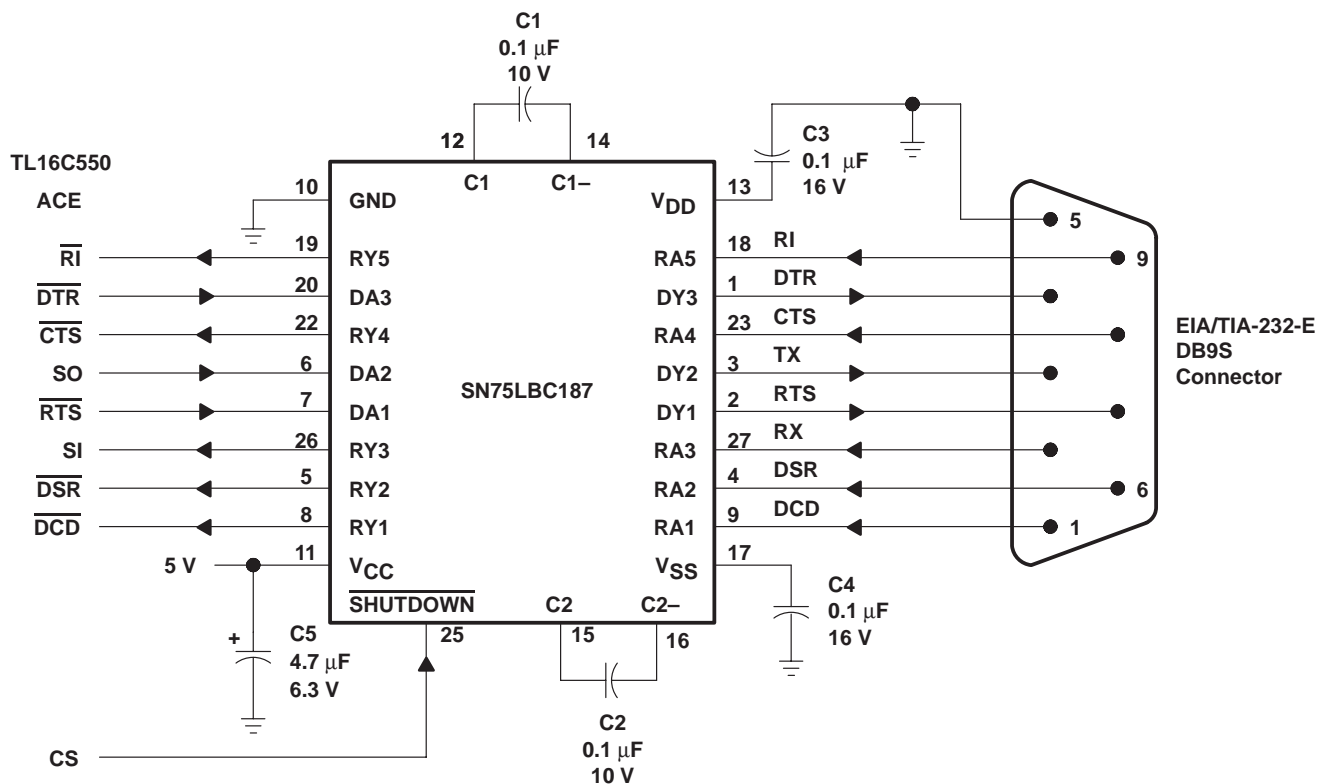
B. The pulse generator has the following characteristics: $t_w = 8.33\text{ }\mu\text{s}$, $\text{PRR} = 60\text{ kHz}$, $t_r = t_f \leq 50\text{ ns}$.

Figure 2. Driver Test Circuit and Waveforms

SN75LBC187 MULTICHANNEL EIA-232 DRIVER/RECEIVER WITH CHARGE PUMP

SLLS130C – SEPTEMBER 1991 – REVISED MAY 1995

APPLICATION INFORMATION



NOTE: C1, C2, C3, and C4 are Z5U-type ceramic-chip capacitors.

Figure 3. Typical SN75LBC187 Connection

SN75LBC187
MULTICHANNEL EIA-232 DRIVER/RECEIVER
WITH CHARGE PUMP

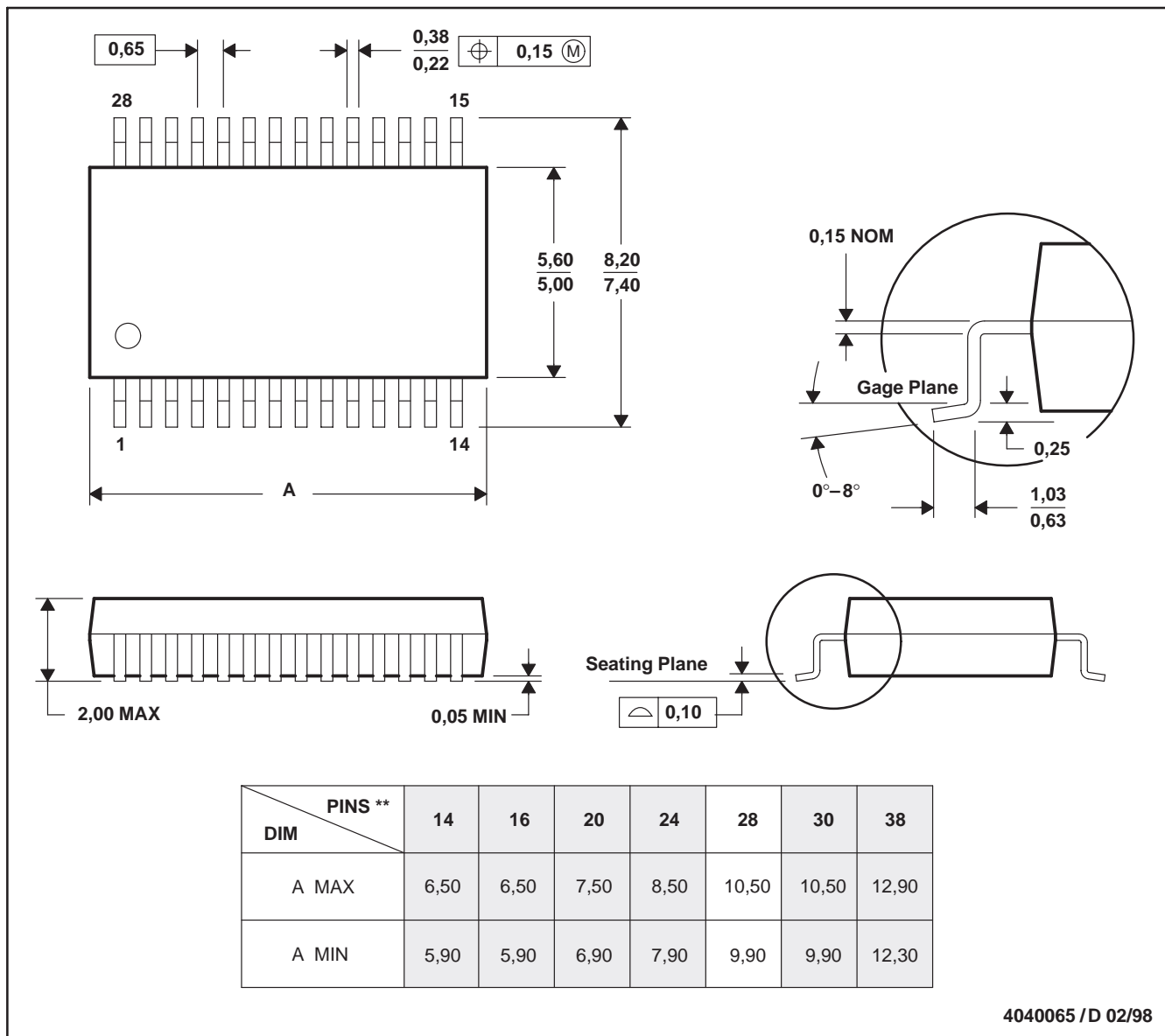
SLLS130C – SEPTEMBER 1991 – REVISED MAY 1995

MECHANICAL DATA

DB (R-PDSO-G)**

PLASTIC SMALL-OUTLINE PACKAGE

28 PIN SHOWN



- NOTES: A. All linear dimensions are in millimeters.
 B. This drawing is subject to change without notice.
 C. Body dimensions do not include mold flash or protrusion not to exceed 0,15.
 D. Falls within JEDEC MO-150

IMPORTANT NOTICE

Texas Instruments and its subsidiaries (TI) reserve the right to make changes to their products or to discontinue any product or service without notice, and advise customers to obtain the latest version of relevant information to verify, before placing orders, that information being relied on is current and complete. All products are sold subject to the terms and conditions of sale supplied at the time of order acknowledgement, including those pertaining to warranty, patent infringement, and limitation of liability.

TI warrants performance of its semiconductor products to the specifications applicable at the time of sale in accordance with TI's standard warranty. Testing and other quality control techniques are utilized to the extent TI deems necessary to support this warranty. Specific testing of all parameters of each device is not necessarily performed, except those mandated by government requirements.

CERTAIN APPLICATIONS USING SEMICONDUCTOR PRODUCTS MAY INVOLVE POTENTIAL RISKS OF DEATH, PERSONAL INJURY, OR SEVERE PROPERTY OR ENVIRONMENTAL DAMAGE ("CRITICAL APPLICATIONS"). TI SEMICONDUCTOR PRODUCTS ARE NOT DESIGNED, AUTHORIZED, OR WARRANTED TO BE SUITABLE FOR USE IN LIFE-SUPPORT DEVICES OR SYSTEMS OR OTHER CRITICAL APPLICATIONS. INCLUSION OF TI PRODUCTS IN SUCH APPLICATIONS IS UNDERSTOOD TO BE FULLY AT THE CUSTOMER'S RISK.

In order to minimize risks associated with the customer's applications, adequate design and operating safeguards must be provided by the customer to minimize inherent or procedural hazards.

TI assumes no liability for applications assistance or customer product design. TI does not warrant or represent that any license, either express or implied, is granted under any patent right, copyright, mask work right, or other intellectual property right of TI covering or relating to any combination, machine, or process in which such semiconductor products or services might be or are used. TI's publication of information regarding any third party's products or services does not constitute TI's approval, warranty or endorsement thereof.