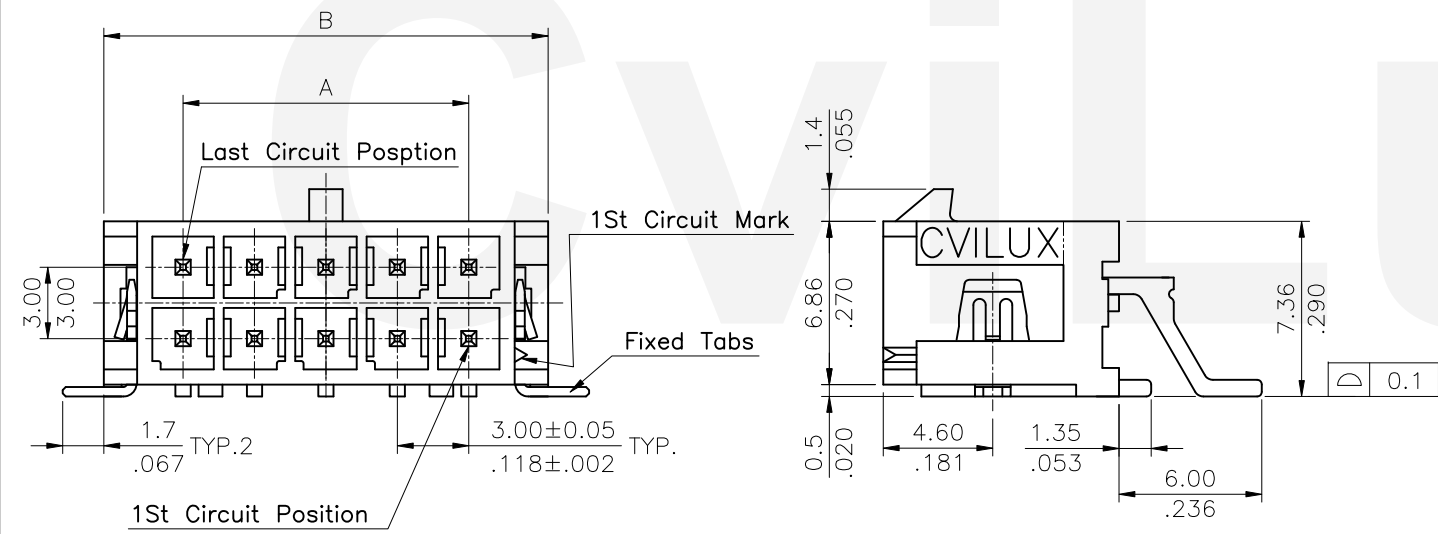


- Notes:
- ① * Insulation: High Temperature Plastic, Color Black
 - * Contact: Brass
 - * Fixed Tabs: Brass with Matte Tin Plated
 - * For Lead Free IR Reflow Process

Ordering Code:
 CP35 ** P * H S T - NH
 ① ② ③ ④ ⑤ ⑥ ⑦ ⑧

- ① Series No.
- ② No. of Circuits: 02~24
- ③ Contact type: P= Plug
- ④ Contact plated:
 - 1= Matte Tin Plated over Nickel
 - A= Selective Gold Flash Plated on Contact area and Matte Tin Plating on Solderails, 1.27μm(50μ") Nickel Underplating over all
 - B= Selective 0.38μm(15μ") Gold Plated on Contact area and Matte Tin Plating on Solderails, 1.27μm(50μ") Nickel Underplating over all
 - C= Selective 0.76μm(30μ") Gold Plated on Contact area and Matte Tin Plating on Solderails, 1.27μm(50μ") Nickel Underplating over all
- ⑤ H= Right angle type
- ⑥ Mount type : S= SMT Type
- ⑦ Other options: T= With Fixed Tabs
- ⑧ NH= For Lead Free IR Process and Halogen Free

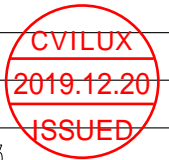


Halogen-Free

Lead Free Process

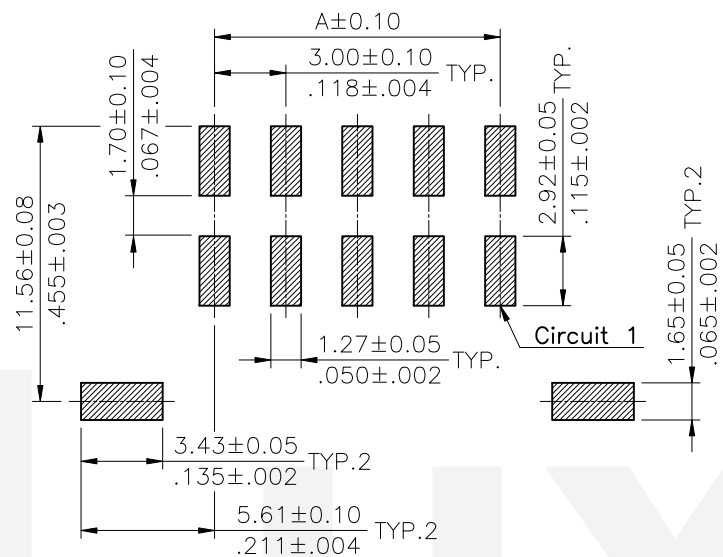
RoHS compliant

④					DATE	UNIT: mm / inch	TITLE: 3.00mm PITCH RIGHT ANGLE SMT TYPE POWER CONN.
③					DRAWN BY: Michelle	11/19-19'	MATERIAL:
②					ENGINEER: Sun	11/19-19'	
①	Michelle	11/12-19'	ECRB11905/ECNT119313		CHECKED BY: Eisley	12/13-19'	
SYM	NAME	DATE	REVISIONS		APPROVED BY: Eisley	12/13-19'	
						TOLERANCE UNLESS OTHERWISE SPECIFIED	
						.X ± 0.30/.012	X' ± 1'
						.XX ± 0.20/.008	.X' ±
						.XXX ± 0.10/.004	.XX' ±



DRAWING NO.	CP35112SB	PART NO.	CP35**P*HST-NH
SCALE	3 / 1	SHEET	1 OF 3

CIRCUITS	DIM. A	DIM. B
2		6.7(.264)
4	3.00(.118)	9.7(.382)
6	6.00(.236)	12.7(.500)
8	9.00(.354)	15.7(.618)
10	12.00(.472)	18.7(.736)
12	15.00(.591)	21.7(.854)
14	18.00(.709)	24.7(.972)
16	21.00(.827)	27.7(1.091)
18	24.00(.945)	30.7(1.209)
20	27.00(1.063)	33.7(1.327)
22	30.00(1.181)	36.7(1.445)
24	33.00(1.299)	39.7(1.563)




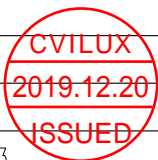
Recommended P.C. Board Layout

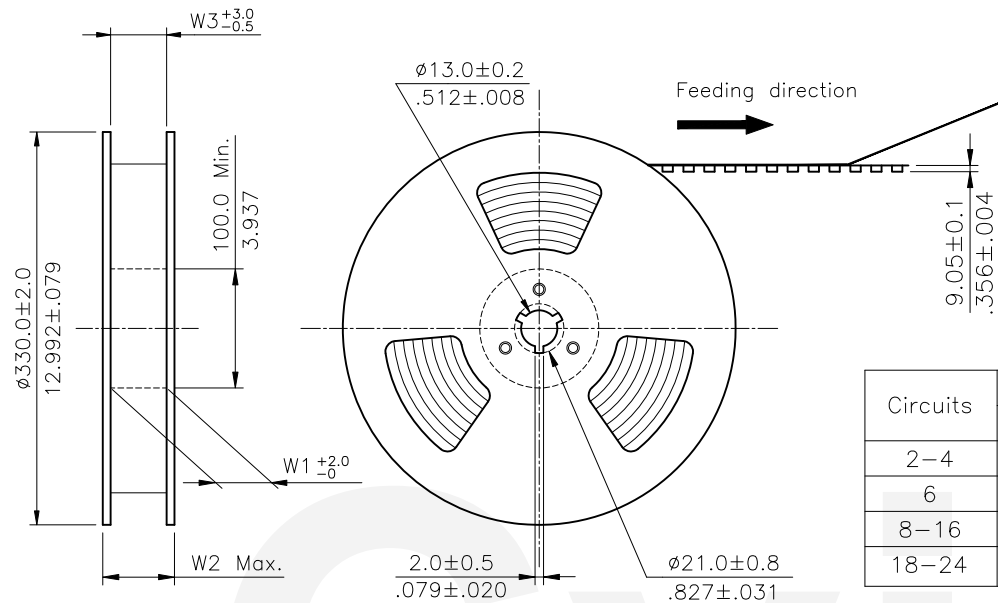
Halogen-Free

Lead Free Process

RoHS Compliant

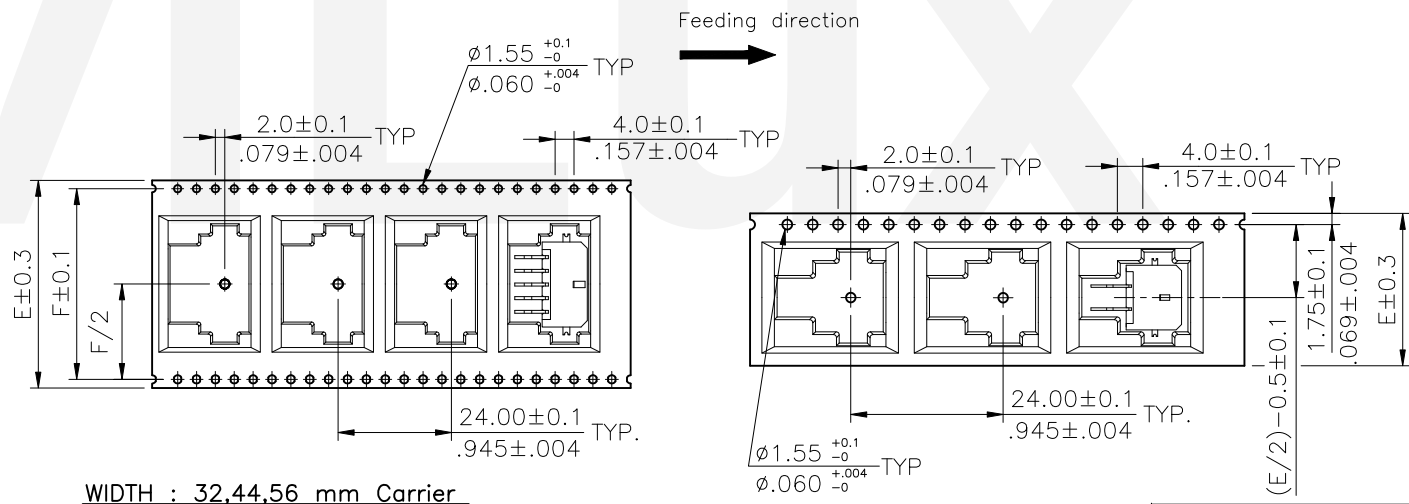
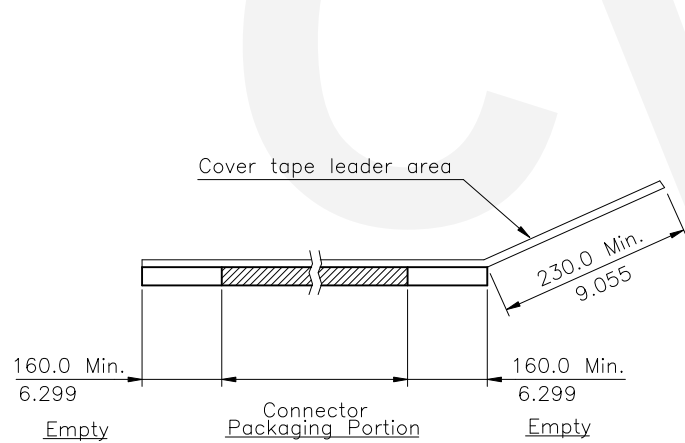
4					DATE	UNIT: mm / inch	TITLE: 3.00mm PITCH RIGHT ANGLE SMT TYPE POWER CONN.	 瀚荃股份有限公司 CviLux Corporation
3					DRAWN BY: Michelle	11/19-19'	TOLERANCE UNLESS OTHERWISE SPECIFIED	
2					ENGINEER: Sun	11/19-19'	.X ± 0.30/.012 X' ± 1'	DRAWING NO. CP35112SB PART NO. CP35**P*HST-NH
1	Michelle	11/12-19'	ECRB11905/ECNT119313		CHECKED BY: Eisley	12/13-19'	.XX ± 0.20/.008 .X' ±	
SYM	NAME	DATE	REVISIONS		APPROVED BY: Eisley	12/13-19'	.XXX ± 0.10/.004 .XX' ±	SCALE 3 / 1 SHEET 2 OF 3





- NOTE :
- * Reel Material : Corrugated Paper
 - * Carrier Material : Transparent, Conductive Polystyrene Alloy
 - * Cover Tape Material : Polyester
 - * Cover Tape Peel Strength : 0.1N – 1.3N
 - * Carrier camber is within 1mm in 250mm
 - * All dimensions meet EIA-481-B requirements.
 - * Quantity : 250 PCS/Reel


Circuits	Dimension					Packing (Reel/Carton)
	E	F	W1	W2	W3	
2-4	24.0(.945)	-	24.5(.965)	30.5(1.200)	24.5(.965)	9
6	32.0(1.260)	28.40(1.118)	32.5(1.280)	38.5(1.516)	32.5(1.280)	7
8-16	44.0(1.732)	40.40(1.596)	44.5(1.752)	50.5(1.988)	44.5(1.752)	5
18-24	56.0(2.205)	52.40(2.063)	56.5(2.224)	62.5(2.461)	56.5(2.224)	4



WIDTH : 32.44,56 mm Carrier

WIDTH : 24 mm Carrier

RoHS Compliant

4					DATE	UNIT: mm / inch	TITLE: 3.00mm PITCH RIGHT ANGLE SMT TYPE POWER CONN.	 瀚荃股份有限公司 CviLux Corporation	
3					11/19-19'	TOLERANCE UNLESS OTHERWISE SPECIFIED	MATERIAL:		
2					11/19-19'	.X ±	.X' ± 1'	DRAWING NO. CP35112SB PART NO. CP35**P*HST-NH	
1	Michelle	11/12-19'	ECRB11905/ECNT119313	CHECKED BY: Eisley	12/13-19'	.XX ±	.X' ±		
SYM	NAME	DATE	REVISIONS	APPROVED BY: Eisley	12/13-19'	.XXX ±	.XX' ±	SCALE	SHEET 3 OF 3

CIVILUX
2019.12.20
ISSUED