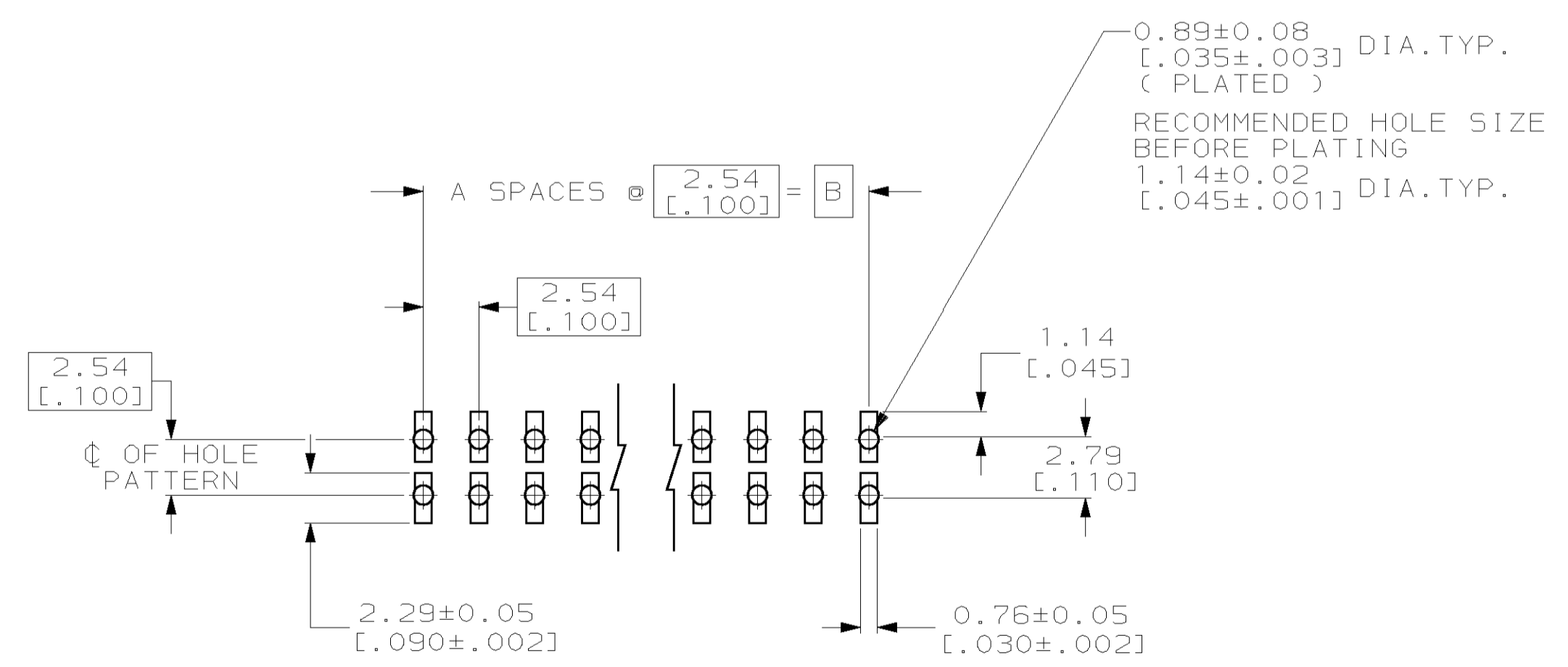
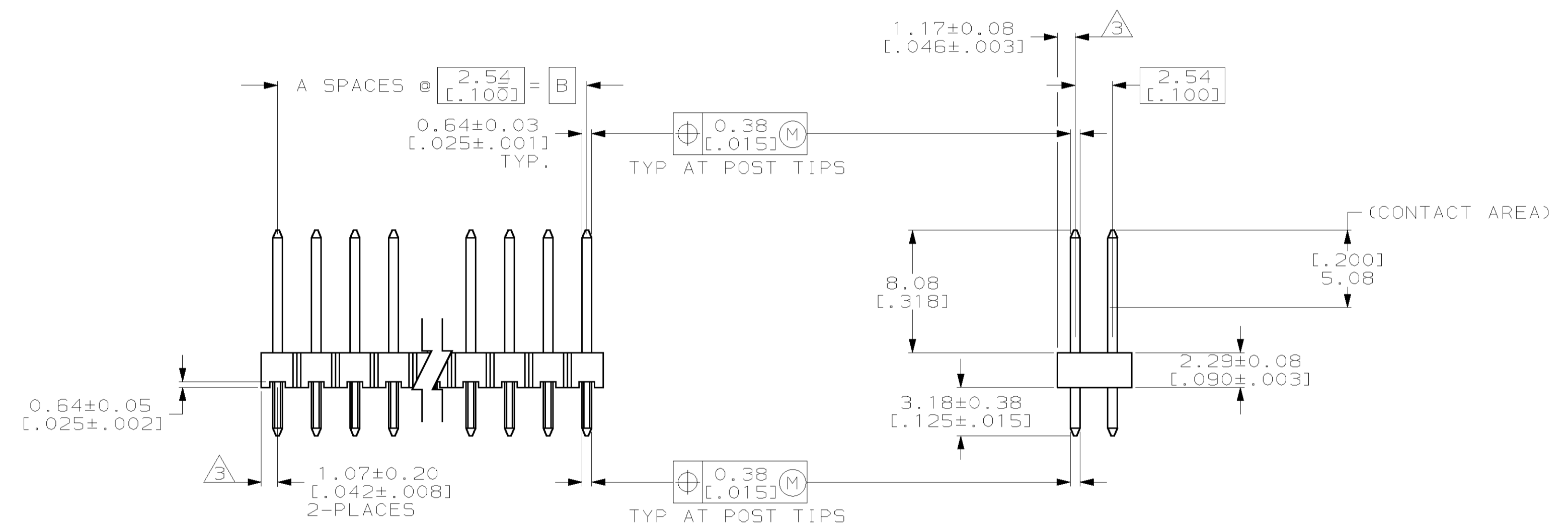
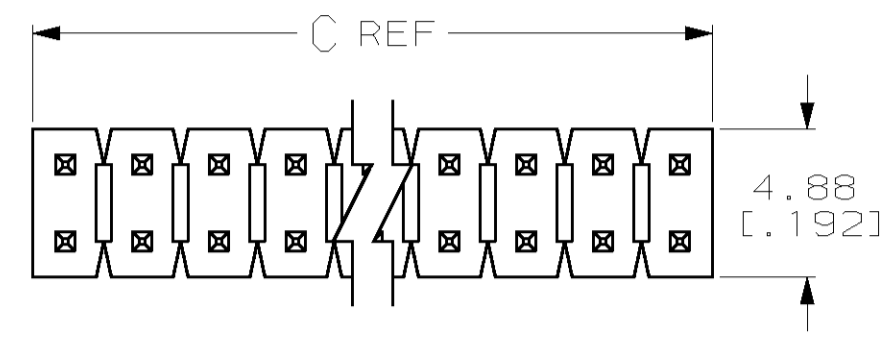


REVISONS		DATE	BY	APVD
0	DP 4633-95-18	5/8/95	TH	GD
A	REV PER 0430-0257-97	19AUG99	BH	JG
B	REV PER 0621-0071-98	25AUG99	BH	JG
C	REV PER 0621-0244-98	30NOV99	BH	JG
D	REV PER 063C-0170-99	31JAN00	BH	JG
E	REV PER 063C-0249-99	03FEB00	BH	JG

- ASSEMBLY MAY BE BROKEN TO THE DESIRED NUMBER OF POSITIONS
- TRUE POSITION TOLERANCE OF THE POST TIPS APPLIES WHEN THE HEADER IS HELD FLAT AGAINST THE PRINTED CIRCUIT BOARD
- THE NOTED DIMENSIONS APPLY AT THE INTERSECTION OF THE POST AND HOUSING
- PLATING: 0.000381 [0.000015] GOLD ON CONTACT AREA, .00254-0.00508 [0.0000100-.0000200] MATTE TIN-LEAD ON SOLDER TAIL, ALL OVER 0.00127 [0.000050] NICKEL.
- HOUSING: LCP, COLOR-BLACK.
POST: PHOSPHOR BRONZE



RECOMMENDED PC BOARD MOUNTING DIMENSIONS FOR .063 [1.60] THICK PC BOARD AND .012 [0.305] STENCIL THICK.

C	B	A	NO. OF POSITIONS	PART NUMBER
101.19 [3.984]	99.06 [3.900]	39	80	4-146252-0
98.65 [3.884]	96.52 [3.800]	38	78	3-146252-9
96.11 [3.784]	93.98 [3.700]	37	76	3-146252-8
93.57 [3.684]	91.44 [3.600]	36	74	3-146252-7
91.03 [3.584]	88.90 [3.500]	35	72	3-146252-6
88.49 [3.484]	86.36 [3.400]	34	70	3-146252-5
85.95 [3.384]	83.82 [3.300]	33	68	3-146252-4
83.41 [3.284]	81.28 [3.200]	32	66	3-146252-3
80.87 [3.184]	78.74 [3.100]	31	64	3-146252-2
78.33 [3.084]	76.20 [3.000]	30	62	3-146252-1
75.79 [2.984]	73.66 [2.900]	29	60	3-146252-0
73.25 [2.884]	71.12 [2.800]	28	58	2-146252-9
70.71 [2.784]	68.58 [2.700]	27	56	2-146252-8
68.17 [2.684]	66.04 [2.600]	26	54	2-146252-7
65.63 [2.584]	63.5 [2.500]	25	52	2-146252-6
63.09 [2.484]	60.96 [2.400]	24	50	2-146252-5
60.55 [2.384]	58.42 [2.300]	23	48	2-146252-4
58.01 [2.284]	55.88 [2.200]	22	46	2-146252-3
55.47 [2.184]	53.34 [2.100]	21	44	2-146252-2
52.93 [2.084]	50.80 [2.000]	20	42	2-146252-1
50.39 [1.984]	48.26 [1.900]	19	40	2-146252-0
47.85 [1.884]	45.72 [1.800]	18	38	1-146252-9
45.31 [1.784]	43.18 [1.700]	17	36	1-146252-8
42.77 [1.684]	40.64 [1.600]	16	34	1-146252-7
40.23 [1.584]	38.10 [1.500]	15	32	1-146252-6
37.69 [1.484]	35.56 [1.400]	14	30	1-146252-5
35.15 [1.384]	33.02 [1.300]	13	28	1-146252-4
32.61 [1.284]	30.48 [1.200]	12	26	1-146252-3
30.07 [1.184]	27.94 [1.100]	11	24	1-146252-2
27.53 [1.084]	25.40 [1.000]	10	22	1-146252-1
24.99 [0.984]	22.86 [0.900]	9	20	1-146252-0
22.45 [0.884]	20.32 [0.800]	8	18	146252-9
19.91 [0.784]	17.78 [0.700]	7	16	146252-8
17.37 [0.684]	15.24 [0.600]	6	14	146252-7
14.83 [0.584]	12.70 [0.500]	5	12	146252-6
12.29 [0.484]	10.16 [0.400]	4	10	146252-5
9.75 [0.384]	7.62 [0.300]	3	8	146252-4
7.21 [0.284]	5.08 [0.200]	2	6	146252-3
4.67 [0.184]	2.54 [0.100]	1	4	146252-2
2.13 [0.084]	-	0	2	146252-1

THIS DRAWING IS A CONTROLLED DOCUMENT AND IS UNPUBLISHED. IT IS SUBJECT TO CHANGE AND THE CONTROLLING ENGINEERING ORGANIZATION SHALL BE CONTACTED FOR THE LATEST REVISION.

DIMENSIONS:	TOLERANCES UNLESS OTHERWISE SPECIFIED:	DRAWN:	I. I. HOFFMAN	5/8/95
mm	0 PLC ±	CHK:	G. DUBNICZKI	10/3/95
	1 PLC ±0.51 [0.02]	APVD:	G. DUBNICZKI	10/3/95
	2 PLC ±0.127 [0.005]	NAME:	HEADER ASSEMBLY, MOD II, BREAKAWAY, DOUBLE ROW, VERTICAL, HIGH TEMPERATURE	
	3 PLC ±0.0127 [0.0005]	PRODUCT SPEC:	-	
	4 PLC ±	APPLICATION SPEC:	-	
MATERIAL:	FINISH:	WEIGHT:	-	
		CUSTOMER DRAWING:	-	

AMP AMP Incorporated Harrisburg, PA 17105-3608

SIZE: A1 CAGE CODE: 00779 DRAWING NO: 146252

SCALE: 4:1 SHEET: 1 OF 1 REV: E

- [Home](#)
- [Part Number Search](#)
- [Document Search](#)
- [Text Search](#)
- [Alternate Part Search](#)
- [Multiple Part Comparison](#)
- [Alphabetical Search](#)
- [Brand Search](#)
- [Industry Product Search](#)
- [Product Type Search](#)
- [Product Family Search](#)
- [Competitor Cross Reference](#)
- [Lead Free Solutions](#)
- [Help/Glossary](#)

Current Brand View

AMP

[View All Tyco Electronics Brands](#)

Click to activate links to all other products

AMPMODU

.100 & .150 Centerline Through Hole Headers

AMP

146252-1

Active

[Active](#)

(Tyco Electronics P/N: 146252-1)

[CAD Geometry](#) | [Search for Parts](#) | [Previous](#) [1](#) [2](#) [3](#) [4](#) [5](#) [6](#) [Next](#)

Document links for this part cannot be displayed. Your browser does not support inline frames or is currently configured not to display inline frames. Inline frames are supported in both Internet Explorer 5 and Netscape 6, as well as all later versions of these browsers.

Related Part Information

General Information	eCommerce	Related Part Information
General Info Sales Info Assembly Subcontractors	Pricing Product Availability	

Photos & Line Drawings - The photographs and/or line drawings are representative images of a product for viewing purposes only.

[Product Photo](#)**Searchable Features:**

Brand:	AMP
Header Type:	Breakaway
No. of Rows:	Dual
No. of Positions:	2
Mount Angle:	Vertical
PCB Retention Feature:	Without
Surface Mount Compatible:	Yes
Contact Mating Area Plating:	Gold (15)
Board Standoff:	With
Mounting Ears:	Without
Panel Attachment:	No

Other Properties:

Contact Shape:	Square
Post Size (mm [in]):	0.64 [.025]
Centerline, Matrix (mm [in]):	2.54 x 2.54 [.100 x .100]
Mating Post Length (mm [in]):	8.08 [0.318]
Contact Material:	Phosphor Bronze
Housing Material:	Thermoplastic
Contact Termination Area Plating:	Tin-Lead over Nickel
Gender:	Header
Housing Flammability Rating:	UL 94V-0

Mating Connector Lock:	Without
High Temperature Housing:	Yes
High Speed Serial Data Connector:	No
Termination Post Length (mm [in]):	3.18 [0.125]

Comment:

Headers without retention tails may be broken to the desired number of positions using Hand Tool 91406-1. Headers are also available in sizes 4 thru 78 positions. When ordering, add the prefix and/or suffix (dash) numbers to the base part number that corresponds to the number of positions per row. For example, the complete part number for a 16-position header with solder tails (C dimension 2.29 [.090], post plating A) would be 146261-8. The complete part number for a 40-position header with board retention tails (C dimension 3.05 [.120], post plating B) would be 2-146268-0.

[Copyright](#) and [Privacy Statement](#)

Visit [Tyco International, Ltd.](#)

[Products](#) | [Catalog](#) | [Brands](#) | [Industries](#) | [Commerce](#) | [Supplier](#) | [Customer Service](#) | [About](#) | [Home](#)