

FEATURES AND SPECIFICATIONS

Features and Benefits

- Sizes 2 to 24 circuits available
- Optional voided circuits available
- Various pin lengths available (contact Molex)
- May be purchased in full 24 circuit sticks and broken into required circuit sizes
- Passive locking feature is used to maintain interconnection and is ideal for high vibration applications
- 41671 has square pins and 41711 has round pins

Reference Information

Product Specification: PS-41186/08-50

Packaging: Bag

Tooling Information: See cutting tool section

UL File No.: E29179

CSA File No.: LR19980

TUV File No.: R75108

Mates With: [2139](#), [2145](#), [3069](#), [3215](#), [6442](#), [7674](#),

[7675](#), [41695](#) and [41815](#)

Designed In: Inches

Electrical

Voltage: 250V AC max.

Current: 7.0A max.*

Contact Resistance: 6mΩ max.

Dielectric Withstanding Voltage: 1500V

Insulation Resistance: 50K MΩ min.

Mechanical

Durability:

Tin—25 cycles max.

Gold—100 cycles max.

Physical

Housing: Black glass-filled polyester, UL 94V-0

Contact: Brass, 1.14mm (.045") pins

Plating: See Table

Operating Temperature: 0 to +75°C

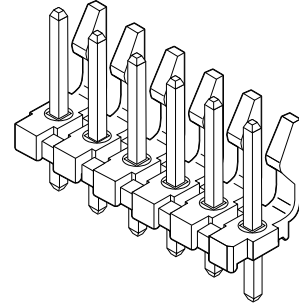


3.96mm (.156") Pitch KK®

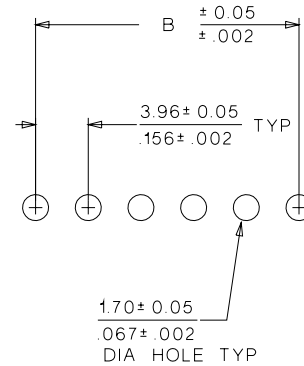
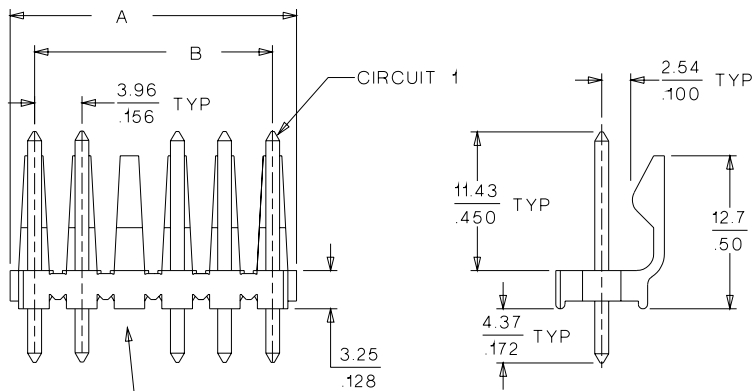
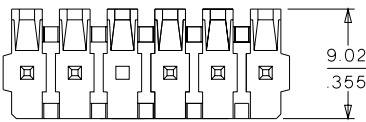
Breakaway Header

41671/41711

Vertical Friction Lock



CATALOG DRAWING (FOR REFERENCE ONLY)



PCB LAYOUT: COMPONENT SIDE
RECOMMENDED PCB THICKNESS $\frac{1.57 \pm 0.18}{.062 \pm .007}$

Note: 41671 shown

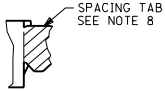
ORDERING INFORMATION AND DIMENSIONS

Circuits	Order No.						Dimension	
	Square Pin			Round Pin			A	B
	Tin	15μ" Select Gold	30μ" Select Gold	Tin	Overall Gold			
2	26-48-1025	41671-0001	41671-0024	26-51-0022	26-51-2022	6.78 (2.67)	3.96 (.156)	
3	26-48-1035	41671-0002	41671-0025	26-51-0032	26-51-2032	10.74 (4.23)	7.92 (.312)	
4	26-48-1045	41671-0003	41671-0026	26-51-0042	26-51-2042	14.71 (.579)	11.89 (.468)	
5	26-48-1055	41671-0004	41671-0027	26-51-0052	26-51-2052	18.67 (.735)	15.85 (.624)	
6	26-48-1065	41671-0005	41671-0028	26-51-0062	26-51-2062	22.63 (.891)	19.81 (.780)	
7	26-48-1075	41671-0006	41671-0029	26-51-0072	26-51-2072	26.59 (1.047)	23.77 (.936)	
8	26-48-1085	41671-0007	41671-0030	26-51-0082	26-51-2082	30.56 (1.203)	27.74 (1.092)	
9	26-48-1095	41671-0008	41671-0031	26-51-0092	26-51-2092	34.52 (1.359)	31.71 (1.248)	
10	26-48-1105	41671-0009	41671-0032	26-51-0102	26-51-2102	38.48 (1.515)	35.66 (1.404)	
11	26-48-1115	41671-0010	41671-0033	26-51-0112	26-51-2112	42.44 (1.671)	39.62 (1.560)	
12	26-48-1125	41671-0011	41671-0034	26-51-0122	26-51-2122	46.41 (1.827)	43.59 (1.716)	
13	26-48-1135	41671-0012	41671-0035	26-51-0132	26-51-2132	50.37 (1.983)	47.55 (1.872)	

Circuits	Order No.						Dimension	
	Square Pin			Round Pin			A	B
	Tin	15μ" Select Gold	30μ" Select Gold	Tin	Overall Gold			
14	26-48-1145	41671-0013	41671-0036	26-51-0142	26-51-2142	54.33 (2.139)	51.51 (2.028)	
15	26-48-1155	41671-0014	41671-0037	26-51-0152	26-51-2152	58.29 (2.295)	55.47 (2.184)	
16	26-48-1165	41671-0015	41671-0038	26-51-0162	26-51-2162	62.26 (2.451)	59.44 (2.340)	
17	26-48-1175	41671-0016	41671-0039	26-51-0172	26-51-2172	66.22 (2.607)	63.40 (2.496)	
18	26-48-1185	41671-0017	41671-0040	26-51-0182	26-51-2182	70.18 (2.763)	67.36 (2.652)	
19	26-48-1195	41671-0018	41671-0041	26-51-0192	26-51-2192	74.14 (2.919)	71.32 (2.808)	
20	26-48-1205	41671-0019	41671-0042	26-51-0202	26-51-2202	78.11 (3.075)	75.29 (2.964)	
21	26-48-1215	41671-0020	41671-0043	26-51-0212	26-51-2212	82.07 (3.231)	79.25 (3.120)	
22	26-48-1225	41671-0021	41671-0044	26-51-0222	26-51-2222	86.03 (3.387)	83.21 (3.276)	
23	26-48-1235	41671-0022	41671-0045	26-51-0232	26-51-2232	89.94 (3.541)	87.17 (3.432)	
24	26-48-1245	41671-0023	41671-0046	26-51-0242	26-51-2242	93.85 (3.695)	91.14 (3.588)	

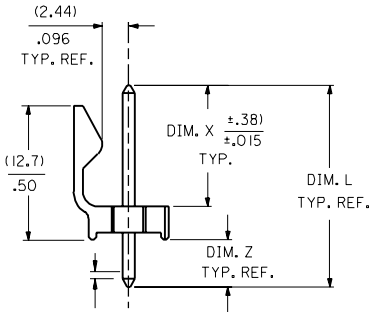
* Dependent upon connector and PC board

Circuit number designation is for ordering purposes only, check corresponding circuit designation on mating connector

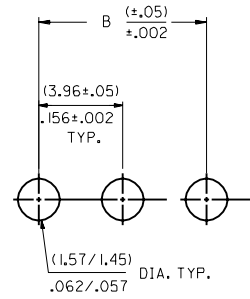
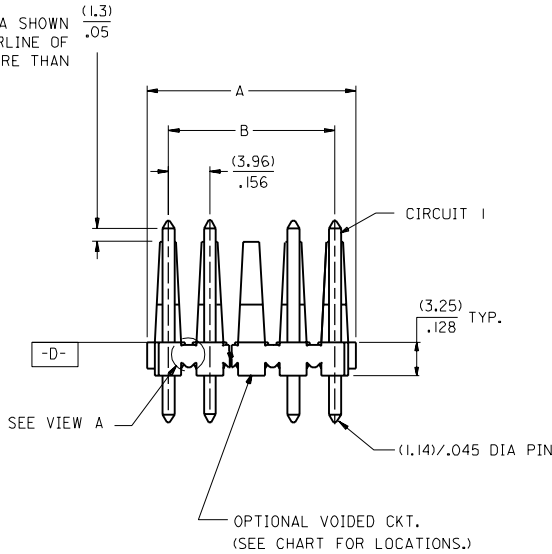


VIEW A

CENTERLINE OF PIN IN AREA SHOWN NOT TO VARY FROM CENTERLINE OF PIN AT DATUM -D- BY MORE THAN .008 IN ANY DIRECTION



CENTERLINE OF PIN IN AREA SHOWN NOT TO VARY FROM CENTERLINE OF PIN AT DATUM -D- BY MORE THAN .005 IN ANY DIRECTION



PCB LAYOUT: COMPONENT SIDE
RECOMMENDED PCB THICKNESS:
(1.57 ± .18) / .062 ± .007

A-41711-N* * * *
PACKAGING AND OPTIONS }
NO. OF CKTS }
PIN DIMENSIONS }
VOID LOCATIONS
BLANK=NO VOIDS
MULT. VOIDS START WITH 51
NO.=CKT. NO. VOIDED
PLATING

B	A	CIRCUIT
(3.96)	(6.78 / 7.87)	2
.156	.267 / .310	
(7.92)	(10.74 / 11.84)	3
.312	.423 / .466	
(11.89)	(14.71 / 15.80)	4
.468	.579 / .622	
(15.85)	(18.67 / 19.76)	5
.624	.735 / .778	
(19.81)	(22.63 / 23.72)	6
.780	.891 / .934	
(23.77)	(26.59 / 27.69)	7
.936	1.047 / 1.090	
(27.74)	(30.56 / 31.65)	8
1.092	1.203 / 1.246	
(31.70)	(34.52 / 35.61)	9
1.248	1.359 / 1.402	
(35.66)	(38.48 / 39.57)	10
1.404	1.515 / 1.558	
(39.62)	(42.44 / 43.54)	11
1.560	1.671 / 1.714	
(43.59)	(46.41 / 47.50)	12
1.716	1.827 / 1.870	
(47.55)	(50.37 / 51.46)	13
1.872	1.983 / 2.026	
(51.51)	(54.33 / 55.42)	14
2.028	2.139 / 2.182	
(55.47)	(58.29 / 59.39)	15
2.184	2.295 / 2.338	
(59.44)	(62.26 / 63.35)	16
2.340	2.451 / 2.494	
(63.40)	(66.22 / 67.31)	17
2.496	2.607 / 2.650	
(67.36)	(70.18 / 71.27)	18
2.652	2.763 / 2.806	
(71.32)	(74.14 / 75.23)	19
2.808	2.919 / 2.962	
(75.29)	(78.11 / 79.20)	20
2.964	3.075 / 3.118	
(79.25)	(82.07 / 83.16)	21
3.120	3.231 / 3.274	
(83.21)	(86.03 / 87.12)	22
3.276	3.387 / 3.430	
(87.17)	(89.94 / 91.08)	23
3.432	3.541 / 3.586	
(91.14)	(93.85 / 95.00)	24
3.588	3.695 / 3.740	

NOTES:

- PRECEDING ENG. NO. IN CHART DESIGNATES STANDARD PRODUCT.
- SOLDERABILITY: WHEN PARTS ARE SOLDERED AT A TEMPERATURE OF (230°C) OR 446°F FOR 5 SECONDS EACH SOLDERED SURFACE SHALL BE A MINIMUM OF 95% COVERED WITH A SMOOTH CONTINUOUS ADHERENT COATING. FOR OTHER INFORMATION SEE SMES-152
- PIN PUSH OUT FORCE: PRIOR TO SOLDERING, A 3 LB MINIMUM FORCE (IN EITHER DIRECTION) SHALL BE REQUIRED TO PUSH THE PIN OUT OF THE HEADER.
- MATERIAL: HEADER GLASS FILLED POLYESTER, 94V-0, MOLDED BLACK
- THIS PART CONFORMS TO PRODUCT SPEC PS-08-50
- PARTS ARE STACKABLE END TO END ON .156 CENTERS. (SPACING TABS MUST BE REMOVED ON CIRCUIT SIZES 1 THROUGH 23 BEFORE PARTS ARE STACKABLE.)

PLATINGS: PIN MATERIAL: BRASS

- (102) TIN .000200 MIN. OVER COPPER.
 - (501) GOLD .000020 MIN. OVER NICKEL
 - (503) GOLD .000030 MIN. OVER NICKEL
- FOR ADDITIONAL INFORMATION SEE SDES-88.

DIMENSIONS SHOWN METRIC () INCH		UNLESS OTHERWISE SPECIFIED TOLERANCES: ANGULAR ± 1°		REVISIONS	
3 PLACE ± .010	INCH	2 PLACE ± .014	METRIC	TITLE	
1 PLACE ± .036				BREAKAWAY HEADER ASSEMBLY FR. LK. STRAIGHT ROUND PINS 41711 SERIES DWG.	
DRAFT WHERE APPLICABLE MUST REMAIN WITHIN DIMENSIONS				PART NO. DRWG. NO.	
APP'D: LENZ				MFG. SH. REV.	
DEL GEO TOL ECR US1276				SHEET NO. DATE	
7-27-95 SAMIEC				1 OF 5 08/19/85	
SEE CHART				SDA-41711	
THIS DRAWING CONTAINS INFORMATION THAT IS PROPRIETARY TO MOLEX INC. AND SHOULD NOT BE USED WITHOUT WRITTEN PERMISSION.				SIV. SIZE	
				KK C	

5	H9
4	H9
3	H12
2	H5
1	J

	13	12	11	10	9	8	7	6	41711	4	3	2	1			
J	ENG. NO.		PIN NO.		DIM. L	DIM. X	DIM. Z	EDPS ON SHT./COL.							J	
	A-41711-ANA102-		2173-K102)		(19.05) .750	(11.43) .450	(4.37) .172	3 / 1								
	A-41711-ANA501-		2173-K501)		(19.05) .750	(11.43) .450	(4.37) .172	3 / 3								
I									/						I	
									/							
H									/						H	
									/							
G									/						G	
									/							
F									/						F	
									/							
E									/						E	
									/							
D									/						D	
									/							
C									/						C	
									/							
B									/						B	
									/							
A									SEE SHEET I	H2	SEE SHEET I	DIMENSIONS SHOWN (METRIC) INCH UNLESS OTHERWISE SPECIFIED TOLERANCES: ANGULAR .15° ± 1/2°			SEE ONLY ON CAD SYSTEM	
									SEE SHEET I	E1	SEE SHEET I	TITLE BREAKAWAY HEADER ASSEMBLY FR. LK. STRAIGHT ROUND PINS 41711 SERIES DWG.				
									SEE SHEET I	E	SEE SHEET I	3 PLACE ±				
									SEE SHEET I	D	SEE SHEET I	INCH METRIC				
									SEE SHEET I	A	SEE SHEET I	2 PLACE ±				
									SEE SHEET I	2	SEE SHEET I	1 PLACE ±				
									H5	SEE SHEET I	1	SEE SHEET I	DRAFT WHERE APPLICABLE MUST REMAIN WITHIN DIMENSIONS			
									LTR.	REVISIONS	LTR.	REVISIONS	DRWG. NO. SDA-41711			
												DRWG. BY PALTEL	DATE 08/19/85			
												FILE NAME S41711X2	THIS DRAWING CONTAINS INFORMATION THAT IS PROPRIETARY TO MOLEX INC. AND SHOULD NOT BE USED WITHOUT WRITTEN PERMISSION	DWN. BY KK		
												SCALE :		SIZE C		
	13	12	11	10	9	8	7	6	5	4	3	2	1			

A-41711-ANA102-*			A-41711-ANA102-*			A-41711-ANA501-*					
PART NO.	ENG. NO(SUFFIX ONLY)	VOID CKT.	PART NO.	ENG. NO(SUFFIX ONLY)	VOID CKT.	PART NO.	ENG. NO(SUFFIX ONLY)	VOID CKT.	PART NO.	ENG. NO(SUFFIX ONLY)	VOID CKT.
26-51-0022	-A2A102		26-51-1061	-A6A102-51	5,6	26-51-2022	-A2A501				
26-51-0032	-A3A102		26-51-1085	-A8A102-52	1,6	26-51-2032	-A3A501				
26-51-0042	-A4A102		26-51-1106	-A10A102-53	9,10	26-51-2042	-A4A501				
26-51-0052	-A5A102		26-51-1122	-A12A102-52	3,5,9,11	26-51-2052	-A5A501				
26-51-0062	-A6A102		26-51-1188	-A18A102-56	11,12	26-51-2062	-A6A501				
26-51-0072	-A7A102		26-51-1189	-A18A102-58	10,15,16,17	26-51-2072	-A7A501				
26-51-0082	-A8A102		26-51-1201	-A20A102-6	6	26-51-2082	-A8A501				
26-51-0092	-A9A102		26-51-1202	-A20A102-14	14	26-51-2092	-A9A501				
26-51-0102	-A10A102		26-51-1052	-A5A102-2	2	26-51-2102	-A10A501				
26-51-0112	-A11A102		26-51-1041	-A4A102-2	2	26-51-2112	-A11A501				
26-51-0122	-A12A102		26-51-1107	-A10A102-54	3,4	26-51-2122	-A12A501				
26-51-0132	-A13A102		26-51-1088	-A8A102-54	2,4	26-51-2132	-A13A501				
26-51-0142	-A14A102		26-51-1071	-A7A102-2	2	26-51-2142	-A14A501				
26-51-0152	-A15A102		26-51-1042	-A4A102-51	2,3	26-51-2152	-A15A501				
26-51-0162	-A16A102		26-51-1089	-A8A102-2	2	26-51-2162	-A16A501				
26-51-0172	-A17A102					26-51-2172	-A17A501				
26-51-0182	-A18A102					26-51-2182	-A18A501				
26-51-0192	-A19A102					26-51-2192	-A19A501				
26-51-0202	-A20A102					26-51-2202	-A20A501				
26-51-0212	-A21A102					26-51-2212	-A21A501				
26-51-0222	-A22A102					26-51-2222	-A22A501				
26-51-0232	-A23A102					26-51-2232	-A23A501				
26-51-0242	-A24A102					26-51-2242	-A24A501				
26-51-1181	-A18A102-55	6,8,10,12,15,17									
26-51-1141	-A14A102-6	6									
26-51-1182	-A18A102-51	7,9,10,12,14,16									
26-51-1183	-A18A102-10	10									
26-51-1184	-A18A102-6	6									
26-51-1142	-A14A102-11	11									
26-51-1105	-A10A102-4	4									
26-51-1121	-A12A102-4	4									
26-51-1151	-A15A102-9	9									
26-51-1101	-A10A102-51	2,4,6,8									
26-51-1185	-A18A102-54	4,11,14									
26-51-1081	-A8A102-53	3,6,7									
26-51-1102	-A10A102-52	2,4,8,10									
	-A11A102-2	2									
26-51-1103	-A10A102-9	9									
26-51-1031	-A3A102-2	2									
26-51-1104	-A10A102-5	5									
26-51-1082	-A8A102-7	7									
26-51-1083	-A8A102-5	5									
26-51-1051	-A5A102-51	2,4									
26-51-1186	-A18A102-53	6,8,10,12,14,16									
26-51-1062	-A6A102-5	5									
26-51-1086	-A8A102-8	8									
26-51-1087	-A8A102-51	1,6,7,8									
26-51-1123	-A12A102-51	2,4,9,11									
26-51-1187	-A18A102-52	10,17									
26-51-1180	-A18A102-57	10,12									
26-51-1084	-A8A102-6	6									
COLUMN NO. 1			COLUMN NO. 2			COLUMN NO. 3			COLUMN NO. 4		
CON'T. IN COLUMN NO. 2 SHEET NO. 3			CON'T. IN COLUMN NO. SHEET NO.			CON'T. IN COLUMN NO. SHEET NO.			CON'T. IN COLUMN NO. SHEET NO.		
			SEE SHEET I H11 SEE SHEET I			SEE SHEET I H10 SEE SHEET I			SEE SHEET I H7 SEE SHEET I		
			SEE SHEET I H6 SEE SHEET I			SEE SHEET I H5 SEE SHEET I			SEE SHEET I H4 SEE SHEET I		
			SEE SHEET I H3 SEE SHEET I			SEE SHEET I H2 SEE SHEET I			SEE SHEET I H1 SEE SHEET I		
			LTR. REVISIONS			LTR. REVISIONS			LTR. REVISIONS		

41711

41711

DIMENSIONS SHOWN (METRIC) INCH	
UNLESS OTHERWISE SPECIFIED TOLERANCES ANGULAR ± 1/2°	
3 PLACE ±	INCH METRIC
2 PLACE ±	±
1 PLACE ±	±
DRAFT WHERE APPLICABLE MUST REMAIN WITHIN DIMENSIONS	
DRWG. BY: SAMIEC	CHK'D. BY: PATEL
APP'D. BY: LENZ	SCALE: 1:1

▽ = 0 ▼ = 0 REVISE ONLY ON CAD SYSTEM

TITLE: BREAKAWAY HEADER ASSEMBLY FR. LK. STRAIGHT ROUND PINS 41711 SERIES DWG.

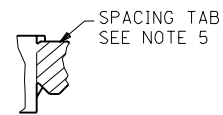
MOLEX INCORPORATED 60532 U.S.A. SHEET NO. 3 DATE 08/19/85

PART NO. SDA-41711

FILE NAME: S41711X3 THIS DRAWING CONTAINS INFORMATION THAT IS PROPRIETARY TO MOLEX INC. AND SHOULD NOT BE USED WITHOUT WRITTEN PERMISSION.

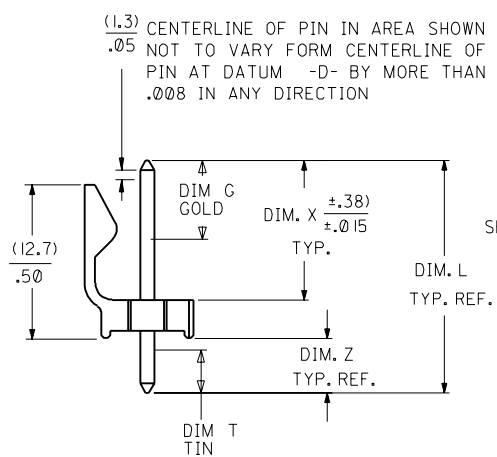
DRWG. NO. SDA-41711

REV. SIZE: KK C

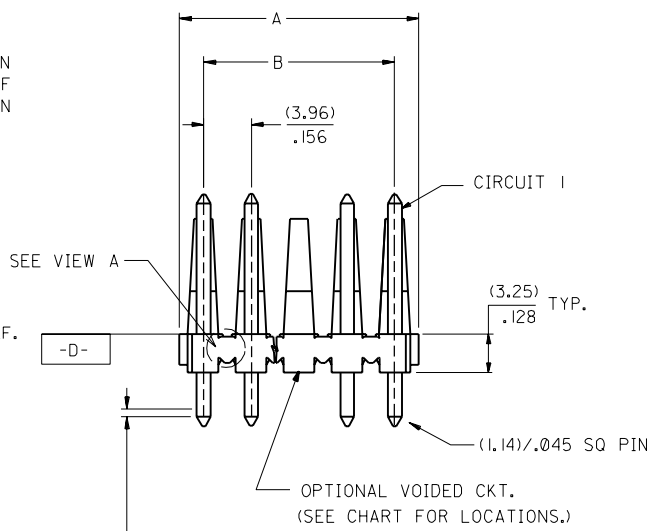
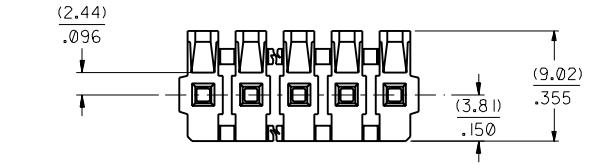


SPACING TAB
SEE NOTE 5

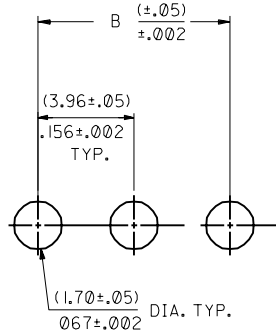
VIEW A



(1.3) / .05 CENTERLINE OF PIN IN AREA SHOWN NOT TO VARY FROM CENTERLINE OF PIN AT DATUM -D- BY MORE THAN .008 IN ANY DIRECTION



(1.3) / .05 CENTERLINE OF PIN IN AREA SHOWN NOT TO VARY FROM CENTERLINE OF PIN AT DATUM -D- BY MORE THAN .005 IN ANY DIRECTION



PCB LAYOUT: COMPONENT SIDE
RECOMMENDED PCB THICKNESS:
(1.57 ± .18) / .062 ± .007

A-41671- * N * * - *
PACKAGING AND OPTIONS:
A=BRASS PIN BULK PACKED
B=BRASS PIN TUBE PACKED
NO. OF CKTS
VOID LOCATIONS:
BLANK=NO VOIDS
NO.=CKT. NO. VOIDED
MULT. VOIDS START WITH 51
-PLATING
PIN DIMENSIONS

B	A	CIRCUIT
(3.96)	(6.78 / 7.87)	2
.156	.267 / .310	
(7.92)	(10.74 / 11.84)	3
.312	.423 / .466	
(11.89)	(14.71 / 15.80)	4
.468	.579 / .622	
(15.85)	(18.67 / 19.76)	5
.624	.735 / .778	
(19.81)	(22.63 / 23.72)	6
.780	.891 / .934	
(23.77)	(26.59 / 27.69)	7
.936	1.047 / 1.090	
(27.74)	(30.56 / 31.65)	8
1.092	1.203 / 1.246	
(31.70)	(34.52 / 35.61)	9
1.248	1.359 / 1.402	
(35.66)	(38.48 / 39.57)	10
1.404	1.515 / 1.558	
(39.62)	(42.44 / 43.54)	11
1.560	1.671 / 1.714	
(43.59)	(46.41 / 47.50)	12
1.716	1.827 / 1.870	
(47.55)	(50.37 / 51.46)	13
1.872	1.983 / 2.026	
(51.51)	(54.33 / 55.42)	14
2.028	2.139 / 2.182	
(55.47)	(58.29 / 59.39)	15
2.184	2.295 / 2.338	
(59.44)	(62.26 / 63.35)	16
2.340	2.451 / 2.494	
(63.40)	(66.22 / 67.31)	17
2.496	2.607 / 2.650	
(67.36)	(70.18 / 71.27)	18
2.652	2.763 / 2.806	
(71.32)	(74.14 / 75.23)	19
2.808	2.919 / 2.962	
(75.29)	(78.11 / 79.20)	20
2.964	3.075 / 3.118	
(79.25)	(82.07 / 83.16)	21
3.120	3.231 / 3.274	
(83.21)	(86.03 / 87.12)	22
3.276	3.387 / 3.430	
(87.17)	(89.94 / 91.08)	23
3.432	3.541 / 3.586	
(91.14)	(93.85 / 95.00)	24
3.588	3.695 / 3.740	

- NOTES:
- SOLDERABILITY: WHEN PARTS ARE SOLDERED AT A TEMPERATURE OF (230°C) OR 446°F FOR 5 SECONDS EACH SOLDERED SURFACE SHALL BE A MINIMUM OF 95% COVERED WITH A SMOOTH CONTINUOUS ADHERENT COATING. FOR OTHER INFORMATION SEE SMES-152
 - PIN PUSH OUT FORCE: PRIOR TO SOLDERING, A 3 LB MINIMUM FORCE (IN EITHER DIRECTION) SHALL BE REQUIRED TO PUSH THE PIN OUT OF THE HEADER.
 - MATERIAL: HEADER GLASS FILLED POLYESTER, 94V-0, MOLDED BLACK
 - THIS PART CONFORMS TO PRODUCT SPEC PS-08-50
 - PARTS ARE STACKABLE END TO END ON .156 CENTERS. (SPACING TABS MUST BE REMOVED ON CIRCUIT SIZES 1 THROUGH 23 BEFORE PARTS ARE STACKABLE.)
 - PLATINGS: FOR ADDITIONAL INFORMATION SEE SD5-88.
PIN MATERIAL: BRASS
(102) TIN .000200 MIN. OVER COPPER.
(567) SELECT GOLD 15 M.I. MIN
SELECT TIN/LEAD 100 M.I. MIN
NICKEL OVERALL
(569) SELECT GOLD 30 M.I. MIN
SELECT TIN/LEAD 100 M.I. MIN
NICKEL OVERALL

AF	REV PACK SPEC UCR2002-0481 11/21/01 SAMIEC	AE3	REL ANNI02 REL CNP569 UCR2001-0473 11-13-00 SAMIEC
AE5	REL A5A102-3 UCR2002-0477 11/19/01 SAMIEC	AE2	ADD/REL A5A102-4 UCR1999-0795 8-4-99 SAMIEC
AE4	REL 2474/2496 UCR2002-0308 9/28/01 SAMIEC	AE1	ADD A10A102-56 UCR1999-0193 9-18-98 SAMIEC
LTR.	REVISIONS	LTR.	REVISIONS

DIMENSIONS SHOWN (METRIC) INCH	
UNLESS OTHERWISE SPECIFIED TOLERANCES ANGULAR 1/2°	
3 PLACE ± .010	INCH METRIC
2 PLACE ± .014	±0.25
1 PLACE ± 0.36	±0.36
DRAFT WHERE APPLICABLE MUST REMAIN WITHIN DIMENSIONS	
DRWG. BY: SAMEC	CHK'D. BY: PATEL
APP'D. BY: LENZ	SCALE: :

▽ = 0	▼ = 0	REVISE ONLY ON CAD SYSTEM
TITLE BREAKAWAY HEADER ASSEMBLY .156¢ FRICTION LOCK STRAIGHT 41671 SERIES DWG.		
MOLEX INCORPORATED LISLE, ILL. 60532 U.S.A.		SHEET NO. 1 OF 4 DATE 10/22/85
PART NO. SDA-41671		DRWG. NO.
SEE CHART		
FILE NAME: S41671X1		
THIS DRAWING CONTAINS INFORMATION THAT IS PROPRIETARY TO MOLEX INC. AND SHOULD NOT BE USED WITHOUT WRITTEN PERMISSION.		

4	AF
3	AF
2	AF
1	AF
MFG. SH. REV.	

41671

	I3	I2	I1	I0	9	8	7	6	41671	4	3	2	1
J	ENG. NUMBERS		PIN NUMBER	PLT	DIM L	DIM X	DIM G GOLD	DIM Z	DIM T TIN	PACKAGING			
	A-41671-ANA102-*		2161-1(102)	102	(19.05) .750	(11.43) .450	()	(4.37) .172	()	BULK PK-41671-001			
	A-41671-CNA567-*		43294-0236	567	(19.05) .750	(11.43) .450	(6.86) .270	(4.37) .172	(4.06) .160	BULK PK-41671-001			
	A-41671-CNA569-*		43294-0237	569	(19.05) .750	(11.43) .450	(6.86) .270	(4.37) .172	(4.06) .160	BULK PK-41671-001			
I			-		()	()	()	()	()				
			-		()	()	()	()	()				

H	A-41671-ANA102-*			A-41671-ANA102-*			A-41671-ANA102-*			A-41671-CNA567-*			A-41671-CNA569-*		
	EDP NO.	ENG. NO.	VOIDS	EDP NO.	ENG. NO.	VOIDS	EDP NO.	ENG. NO.	VOIDS	EDP NO.	ENG. NO.	VOIDS	EDP NO.	ENG. NO.	VOIDS
G	26-48-1025	-A2A102		26-50-3030	-A3A102-2	2	41671-0085	-A10A102-56	5,8	41671-0001	-C02A567		41671-0024	-C02A569	
	26-48-1035	-A3A102		26-50-3040	-A4A102-2	2	26-50-3054	-A05A102-4	4	41671-0002	-C03A567		41671-0025	-C03A569	
	26-48-1045	-A4A102		26-50-3050	-A5A102-2	2	41671-3100	-A05A102-3	3	41671-0003	-C04A567		41671-0026	-C04A569	
	26-48-1055	-A5A102		26-50-3060	-A6A102-2	2				41671-0004	-C05A567		41671-0027	-C05A569	
	26-48-1065	-A6A102		26-50-3070	-A7A102-2	2				41671-0005	-C06A567		41671-0028	-C06A569	
	26-48-1075	-A7A102		26-50-3080	-A8A102-2	2				41671-0006	-C07A567		41671-0029	-C07A569	
	26-48-1085	-A8A102		26-50-3090	-A9A102-2	2				41671-0007	-C08A567		41671-0030	-C08A569	
	26-48-1095	-A9A102		26-50-3100	-A10A102-2	2				41671-0008	-C09A567		41671-0031	-C09A569	
F	26-48-1105	-A10A102		26-50-3110	-A11A102-2	2				41671-0009	-C10A567		41671-0032	-C10A569	
	26-48-1115	-A11A102		26-50-3120	-A12A102-2	2				41671-0010	-C11A567		41671-0033	-C11A569	
	26-48-1125	-A12A102		26-50-3130	-A13A102-2	2				41671-0011	-C12A567		41671-0034	-C12A569	
	26-48-1135	-A13A102		26-50-3140	-A14A102-2	2				41671-0012	-C13A567		41671-0035	-C13A569	
	26-48-1145	-A14A102		26-50-3150	-A15A102-2	2				41671-0013	-C14A567		41671-0036	-C14A569	
	26-48-1155	-A15A102		26-50-3160	-A16A102-2	2				41671-0014	-C15A567		41671-0037	-C15A569	
	26-48-1165	-A16A102		26-50-3170	-A17A102-2	2				41671-0015	-C16A567		41671-0038	-C16A569	
E	26-48-1175	-A17A102		26-50-3180	-A18A102-2	2				41671-0016	-C17A567		41671-0039	-C17A569	
	26-48-1185	-A18A102		26-50-3190	-A19A102-2	2				41671-0017	-C18A567		41671-0040	-C18A569	
	26-48-1195	-A19A102		26-50-3200	-A20A102-2	2				41671-0018	-C19A567		41671-0041	-C19A569	
	26-48-1205	-A20A102		26-50-3210	-A21A102-2	2				41671-0019	-C20A567		41671-0042	-C20A569	
	26-48-1215	-A21A102		26-50-3220	-A22A102-2	2				41671-0020	-C21A567		41671-0043	-C21A569	
	26-48-1225	-A22A102		26-50-3230	-A23A102-2	2				41671-0021	-C22A567		41671-0044	-C22A569	
	26-48-1235	-A23A102		26-50-3240	-A24A102-2	2				41671-0022	-C23A567		41671-0045	-C23A569	
D	26-48-1245	-A24A102		26-50-3145	-A14A102-55	2,4,8,12				41671-0023	-C24A567		41671-0046	-C24A569	
	26-50-3073	-A7A102-3	3	26-50-3155	-A15A102-54	3,10,13									
	26-50-5080	-A8A102-51	2,4	26-50-3066	-A6A102-54	2,4									
	26-50-3063	-A6A102-3	3	26-50-3108	-A10A102-53	3,10									
	26-50-3071	-A7A102-52	2,4,6	26-50-3103	-A10A102-7	7									
	26-50-3051	-A5A102-51	2,4	26-50-3087	-A8A102-52	5,7									
C	26-50-3062	-A6A102-4	4	26-50-5081	-A8A102-6	6									
	26-50-3152	-A15A102-52	4,6,8 10,12 14	26-50-3132	-A13A102-5	5									
	26-50-3111	-A11A102-51	5,10	26-50-3165	-A16A102-52	2, 15									
	26-50-3065	-A6A102-5	5	26-50-5090	-A10A102-55	2, 5									
	26-50-3126	-A12A102-53	2,3,5 6,8,10	26-50-3068	-A6A102-6	6									
B	26-50-3154	-A15A102-4	4	26-50-3167	-A16A102-53	2,4,6,8 10,12,14 16									

ALL PARTS WITHOUT VOIDS ON THIS SHEET ARE STANDARD PRODUCT

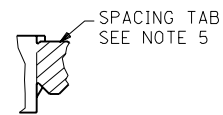
AF	SEE SHEET I	AB31	SEE SHEET I	DIMENSIONS SHOWN (METRIC) INCH UNLESS OTHERWISE SPECIFIED TOLERANCES ANGULAR ± 1/2° INCH METRIC 3 PLACE ± ± 2 PLACE ± ± 1 PLACE ± ± DRAFT WHERE APPLICABLE MUST REMAIN WITHIN DIMENSIONS DRWG. NO. SDA-41671
AE5	SEE SHEET I	AB17	SEE SHEET I	
AE2	SEE SHEET I	AB12	SEE SHEET I	
AE1	SEE SHEET I	AB7	SEE SHEET I	
AE	SEE SHEET I	R1	SEE SHEET I	
AB58	SEE SHEET I	R	SEE SHEET I	
LTR.	REVISIONS	LTR.	REVISIONS	
DRWG. BY: SAMIEC CHK'D. BY: EDGLEY APP'D. BY: EDGLEY SCALE:				

REVISIONS ONLY ON CAD SYSTEM

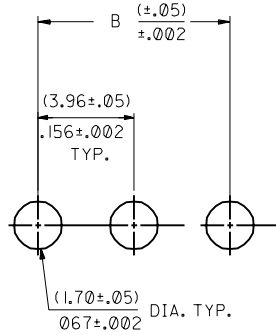
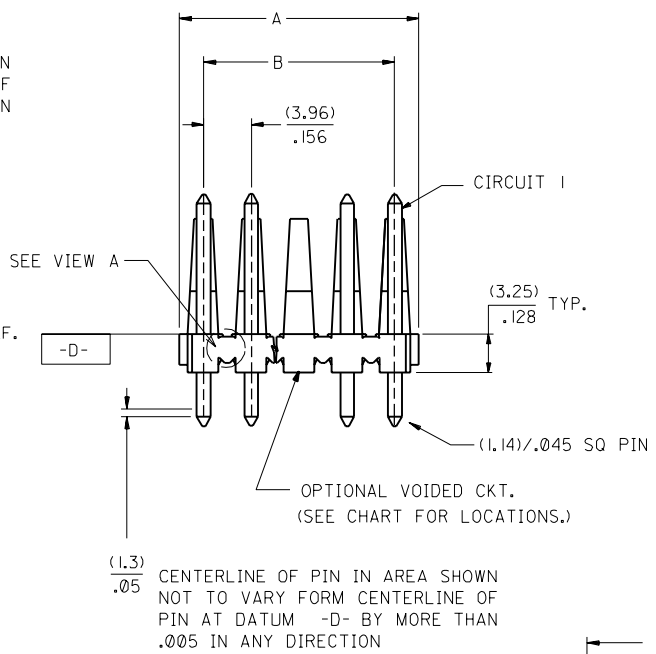
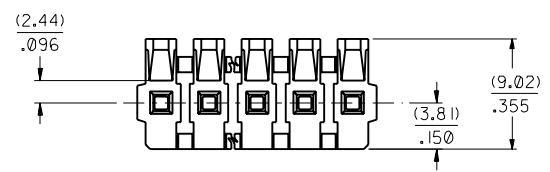
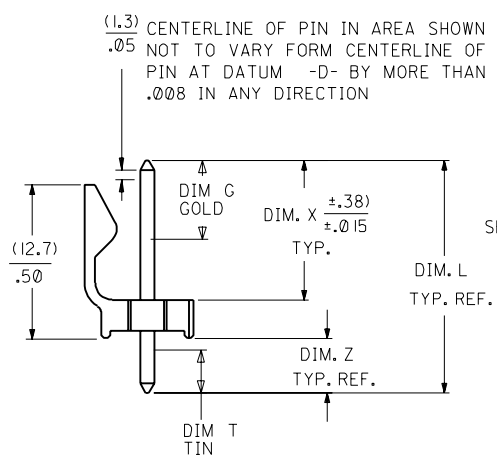
TITLE: BREAKAWAY HEADER ASSEMBLY .156" FRICTION LOCK STRAIGHT 41671 SERIES DWG

PART NO. MOLEX INCORPORATED U.S.A. SHEET NO. 2 DATE 07/25/85

FILE NAME: S41671X2 DIV. KK SIZE C



VIEW A



PCB LAYOUT: COMPONENT SIDE
RECOMMENDED PCB THICKNESS:
(1.57±.18) / .062±.007

A-41671- * N * * - *

PACKAGING AND OPTIONS:
A=BRASS PIN BULK PACKED
B=BRASS PIN TUBE PACKED

NO. OF CKTS

PIN DIMENSIONS

VOID LOCATIONS
BLANK=NO VOIDS
NO.=CKT. NO. VOIDED
MULT. VOIDS START WITH 51

PLATING

B	A	CIRCUIT
(3.96)	(6.78 / 7.87)	2
.156	.267 / .310	
(7.92)	(10.74 / 11.84)	3
.312	.423 / .466	
(11.89)	(14.71 / 15.80)	4
.468	.579 / .622	
(15.85)	(18.67 / 19.76)	5
.624	.735 / .778	
(19.81)	(22.63 / 23.72)	6
.780	.891 / .934	
(23.77)	(26.59 / 27.69)	7
.936	1.047 / 1.090	
(27.74)	(30.56 / 31.65)	8
1.092	1.203 / 1.246	
(31.70)	(34.52 / 35.61)	9
1.248	1.359 / 1.402	
(35.66)	(38.48 / 39.57)	10
1.404	1.515 / 1.558	
(39.62)	(42.44 / 43.54)	11
1.560	1.671 / 1.714	
(43.59)	(46.41 / 47.50)	12
1.716	1.827 / 1.870	
(47.55)	(50.37 / 51.46)	13
1.872	1.983 / 2.026	
(51.51)	(54.33 / 55.42)	14
2.028	2.139 / 2.182	
(55.47)	(58.29 / 59.39)	15
2.184	2.295 / 2.338	
(59.44)	(62.26 / 63.35)	16
2.340	2.451 / 2.494	
(63.40)	(66.22 / 67.31)	17
2.496	2.607 / 2.650	
(67.36)	(70.18 / 71.27)	18
2.652	2.763 / 2.806	
(71.32)	(74.14 / 75.23)	19
2.808	2.919 / 2.962	
(75.29)	(78.11 / 79.20)	20
2.964	3.075 / 3.118	
(79.25)	(82.07 / 83.16)	21
3.120	3.231 / 3.274	
(83.21)	(86.03 / 87.12)	22
3.276	3.387 / 3.430	
(87.17)	(89.94 / 91.08)	23
3.432	3.541 / 3.586	
(91.14)	(93.85 / 95.00)	24
3.588	3.695 / 3.740	

- NOTES:
- SOLDERABILITY: WHEN PARTS ARE SOLDERED AT A TEMPERATURE OF (230°C) OR 446°F FOR 5 SECONDS EACH SOLDERED SURFACE SHALL BE A MINIMUM OF 95% COVERED WITH A SMOOTH CONTINUOUS ADHERENT COATING. FOR OTHER INFORMATION SEE SMES-152
 - PIN PUSH OUT FORCE: PRIOR TO SOLDERING, A 3 LB MINIMUM FORCE (IN EITHER DIRECTION) SHALL BE REQUIRED TO PUSH THE PIN OUT OF THE HEADER.
 - MATERIAL: HEADER GLASS FILLED POLYESTER, 94V-0, MOLDED BLACK
 - THIS PART CONFORMS TO PRODUCT SPEC PS-08-50
 - PARTS ARE STACKABLE END TO END ON .156 CENTERS. (SPACING TABS MUST BE REMOVED ON CIRCUIT SIZES 1 THROUGH 23 BEFORE PARTS ARE STACKABLE.)
 - PLATINGS: FOR ADDITIONAL INFORMATION SEE SD5-88.
PIN MATERIAL: BRASS
(102) TIN .000200 MIN. OVER COPPER.
(567) SELECT GOLD 15 M.I. MIN
SELECT TIN/LEAD 100 M.I. MIN
NICKEL OVERALL
(569) SELECT GOLD 30 M.I. MIN
SELECT TIN/LEAD 100 M.I. MIN
NICKEL OVERALL

AF	REV PACK SPEC UCR2002-0481 11/21/01 SAMIEC	AE3	REL ANNI02 REL CNP569 UCR2001-0473 11-13-00 SAMIEC
AE5	REL ASA102-3 UCR2002-0477 11/19/01 SAMIEC	AE2	ADD/REL ASA102-4 UCR1999-0795 8-4-99 SAMIEC
AE4	REL 2474/2496 UCR2002-0308 9/28/01 SAMIEC	AE1	ADD A10A102-56 UCR1999-0193 9-18-98 SAMIEC
LTR.	REVISIONS	LTR.	REVISIONS

DIMENSIONS SHOWN (METRIC) INCH	
UNLESS OTHERWISE SPECIFIED TOLERANCES ANGULAR 1/2°	
3 PLACE ± .010	INCH METRIC
2 PLACE ± .014	±0.25
1 PLACE ± 0.36	±0.36
DRAFT WHERE APPLICABLE MUST REMAIN WITHIN DIMENSIONS	
DRWG. BY: SAMEC	CHK'D. BY: PATEL
APP'D. BY: LENZ	SCALE: :

▽ = 0 ▼ = 0 REVISE ONLY ON CAD SYSTEM

TITLE: BREAKAWAY HEADER ASSEMBLY .156¢ FRICTION LOCK STRAIGHT 41671 SERIES DWG.

MOLEX INCORPORATED SHEET NO. DATE
LISLE, ILL. U.S.A. 1 OF 4 10/22/85

PART NO. DRWG. NO.
SEE CHART SDA-41671

FILE NAME: S41671X1 THIS DRAWING CONTAINS INFORMATION THAT IS PROPRIETARY TO MOLEX INC. AND SHOULD NOT BE USED WITHOUT WRITTEN PERMISSION.

SIZE: C

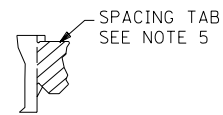
4	AF
3	AF
2	AF
1	AF
MFG. SH. REV.	

41671

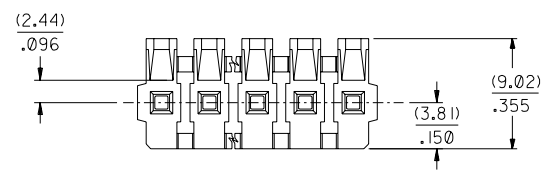
	I3	I2	I1	I0	9	8	7	6	41671	4	3	2	1
J	ENG. NUMBERS		PIN NUMBER	PLT	DIM L	DIM X	DIM G GOLD	DIM Z	DIM T TIN	PACKAGING			
	A-41671-ANA102-*		2161-1(102)	102	(19.05) .750	(11.43) .450	()	(4.37) .172	()	BULK PK-41671-001			
	A-41671-CNA567-*		43294-0236	567	(19.05) .750	(11.43) .450	(6.86) .270	(4.37) .172	(4.06) .160	BULK PK-41671-001			
	A-41671-CNA569-*		43294-0237	569	(19.05) .750	(11.43) .450	(6.86) .270	(4.37) .172	(4.06) .160	BULK PK-41671-001			
I			-		()	()	()	()	()				
			-		()	()	()	()	()				

H	A-41671-ANA102-*			A-41671-ANA102-*			A-41671-ANA102-*			A-41671-CNA567-*			A-41671-CNA569-*		
	EDP NO.	ENG. NO.	VOIDS	EDP NO.	ENG. NO.	VOIDS	EDP NO.	ENG. NO.	VOIDS	EDP NO.	ENG. NO.	VOIDS	EDP NO.	ENG. NO.	VOIDS
G	26-48-1025	-A2A102		26-50-3030	-A3A102-2	2	41671-0085	-A10A102-56	5,8	41671-0001	-C02A567		41671-0024	-C02A569	
	26-48-1035	-A3A102		26-50-3040	-A4A102-2	2	26-50-3054	-A05A102-4	4	41671-0002	-C03A567		41671-0025	-C03A569	
	26-48-1045	-A4A102		26-50-3050	-A5A102-2	2	41671-3100	-A05A102-3	3	41671-0003	-C04A567		41671-0026	-C04A569	
	26-48-1055	-A5A102		26-50-3060	-A6A102-2	2				41671-0004	-C05A567		41671-0027	-C05A569	
	26-48-1065	-A6A102		26-50-3070	-A7A102-2	2				41671-0005	-C06A567		41671-0028	-C06A569	
	26-48-1075	-A7A102		26-50-3080	-A8A102-2	2				41671-0006	-C07A567		41671-0029	-C07A569	
	26-48-1085	-A8A102		26-50-3090	-A9A102-2	2				41671-0007	-C08A567		41671-0030	-C08A569	
	26-48-1095	-A9A102		26-50-3100	-A10A102-2	2				41671-0008	-C09A567		41671-0031	-C09A569	
F	26-48-1105	-A10A102		26-50-3110	-A11A102-2	2				41671-0009	-C10A567		41671-0032	-C10A569	
	26-48-1115	-A11A102		26-50-3120	-A12A102-2	2				41671-0010	-C11A567		41671-0033	-C11A569	
	26-48-1125	-A12A102		26-50-3130	-A13A102-2	2				41671-0011	-C12A567		41671-0034	-C12A569	
	26-48-1135	-A13A102		26-50-3140	-A14A102-2	2				41671-0012	-C13A567		41671-0035	-C13A569	
	26-48-1145	-A14A102		26-50-3150	-A15A102-2	2				41671-0013	-C14A567		41671-0036	-C14A569	
	26-48-1155	-A15A102		26-50-3160	-A16A102-2	2				41671-0014	-C15A567		41671-0037	-C15A569	
	26-48-1165	-A16A102		26-50-3170	-A17A102-2	2				41671-0015	-C16A567		41671-0038	-C16A569	
E	26-48-1175	-A17A102		26-50-3180	-A18A102-2	2				41671-0016	-C17A567		41671-0039	-C17A569	
	26-48-1185	-A18A102		26-50-3190	-A19A102-2	2				41671-0017	-C18A567		41671-0040	-C18A569	
	26-48-1195	-A19A102		26-50-3200	-A20A102-2	2				41671-0018	-C19A567		41671-0041	-C19A569	
	26-48-1205	-A20A102		26-50-3210	-A21A102-2	2				41671-0019	-C20A567		41671-0042	-C20A569	
	26-48-1215	-A21A102		26-50-3220	-A22A102-2	2				41671-0020	-C21A567		41671-0043	-C21A569	
	26-48-1225	-A22A102		26-50-3230	-A23A102-2	2				41671-0021	-C22A567		41671-0044	-C22A569	
	26-48-1235	-A23A102		26-50-3240	-A24A102-2	2				41671-0022	-C23A567		41671-0045	-C23A569	
D	26-48-1245	-A24A102		26-50-3145	-A14A102-55	2,4,8,12				41671-0023	-C24A567		41671-0046	-C24A569	
	26-50-3073	-A7A102-3	3	26-50-3155	-A15A102-54	3,10,13									
	26-50-5080	-A8A102-51	2,4	26-50-3066	-A6A102-54	2,4									
	26-50-3063	-A6A102-3	3	26-50-3108	-A10A102-53	3,10									
	26-50-3071	-A7A102-52	2,4,6	26-50-3103	-A10A102-7	7									
	26-50-3051	-A5A102-51	2,4	26-50-3087	-A8A102-52	5,7									
C	26-50-3062	-A6A102-4	4	26-50-5081	-A8A102-6	6									
	26-50-3152	-A15A102-52	4,6,8 10,12 14	26-50-3132	-A13A102-5	5									
				26-50-3165	-A16A102-52	2, 15									
	26-50-3111	-A11A102-51	5,10	26-50-5090	-A10A102-55	2, 5									
	26-50-3065	-A6A102-5	5	26-50-3068	-A6A102-6	6									
	26-50-3126	-A12A102-53	2,3,5 6,8,10	26-50-3167	-A16A102-53	2,4,6,8									
B	26-50-3154	-A15A102-4	4	26-50-3202	-A20A102-51	2,4,6,8 10,12,14 16									

ALL PARTS WITHOUT VOIDS ON THIS SHEET ARE STANDARD PRODUCT				AF	SEE SHEET I	AB31	SEE SHEET I	DIMENSIONS SHOWN (METRIC) INCH UNLESS OTHERWISE SPECIFIED TOLERANCES ANGULAR ± 1/2°		▽ = 0	▼ = 0	REVISE ONLY ON CAD SYSTEM	
				AE5	SEE SHEET I	AB17	SEE SHEET I	INCH METRIC		TITLE BREAKAWAY HEADER ASSEMBLY .156¢ FRICTION LOCK STRAIGHT 41671 SERIES DWG			
				AE2	SEE SHEET I	AB12	SEE SHEET I	3 PLACE ± ± ±		PART NO. MOLEX INCORPORATED SHEET NO. 2 DATE 07/25/85			
				AE1	SEE SHEET I	AB7	SEE SHEET I	2 PLACE ± ± ±		U.S.A. 69532			
				AE	SEE SHEET I	R1	SEE SHEET I	1 PLACE ± ± ±		DRAWING NO. SDA-41671			
				AB58	SEE SHEET I	R	SEE SHEET I	DRAFT WHERE APPLICABLE MUST REMAIN WITHIN DIMENSIONS		DRAWN BY: SEE CHART			
				LTR.	REVISIONS	LTR.	REVISIONS	DRWG. BY: SAMIEC CHK'D. BY: EDGLEJ		FILE NAME: S41671X2 THIS DRAWING CONTAINS INFORMATION THAT IS PROPRIETARY TO MOLEX INC. AND SHOULD NOT BE USED WITHOUT WRITTEN PERMISSION			
								SCALE: :		DIV. KK SIZE C			



VIEW A



A-41671- * N * * - *

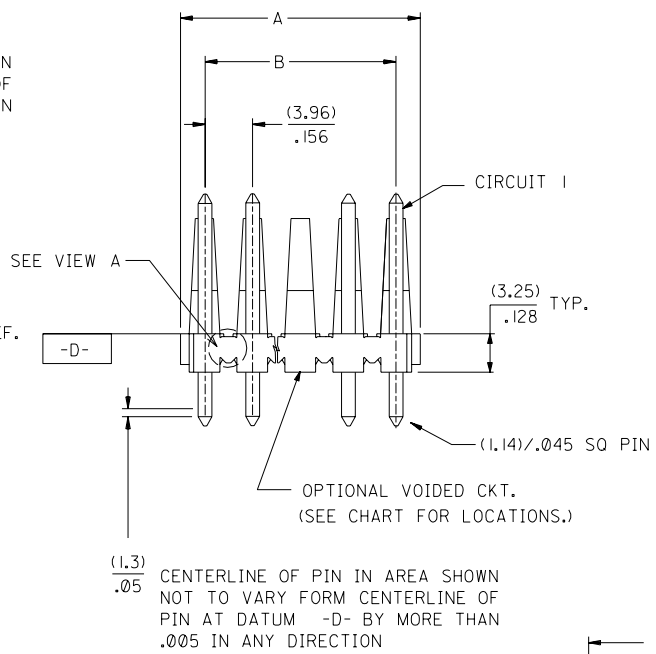
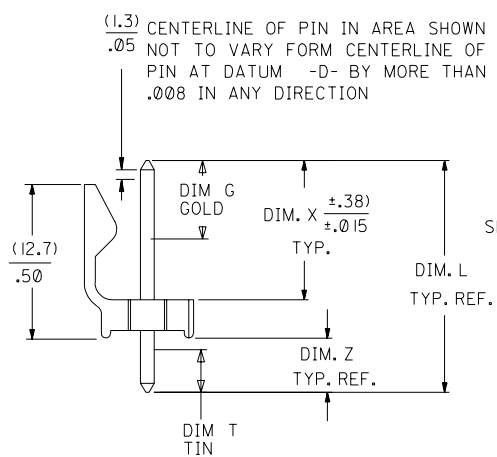
PACKAGING AND OPTIONS
 A=BRASS PIN BULK PACKED
 B=BRASS PIN TUBE PACKED

NO. OF CKTS

PIN DIMENSIONS

VOID LOCATIONS
 BLANK=NO VOIDS
 NO.=CKT. NO. VOIDED
 MULT. VOIDS START WITH 51

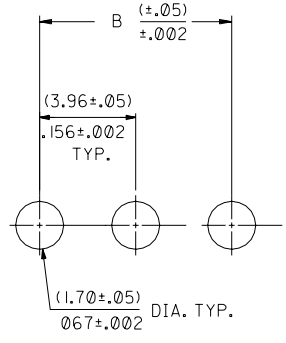
PLATING



B	A	CIRCUIT
(3.96)	(6.78 / 7.87)	2
.156	.267 / .310	
(7.92)	(10.74 / 11.84)	3
.312	.423 / .466	
(11.89)	(14.71 / 15.80)	4
.468	.579 / .622	
(15.85)	(18.67 / 19.76)	5
.624	.735 / .778	
(19.81)	(22.63 / 23.72)	6
.780	.891 / .934	
(23.77)	(26.59 / 27.69)	7
.936	1.047 / 1.090	
(27.74)	(30.56 / 31.65)	8
1.092	1.203 / 1.246	
(31.70)	(34.52 / 35.61)	9
1.248	1.359 / 1.402	
(35.66)	(38.48 / 39.57)	10
1.404	1.515 / 1.558	
(39.62)	(42.44 / 43.54)	11
1.560	1.671 / 1.714	
(43.59)	(46.41 / 47.50)	12
1.716	1.827 / 1.870	
(47.55)	(50.37 / 51.46)	13
1.872	1.983 / 2.026	
(51.51)	(54.33 / 55.42)	14
2.028	2.139 / 2.182	
(55.47)	(58.29 / 59.39)	15
2.184	2.295 / 2.338	
(59.44)	(62.26 / 63.35)	16
2.340	2.451 / 2.494	
(63.40)	(66.22 / 67.31)	17
2.496	2.607 / 2.650	
(67.36)	(70.18 / 71.27)	18
2.652	2.763 / 2.806	
(71.32)	(74.14 / 75.23)	19
2.808	2.919 / 2.962	
(75.29)	(78.11 / 79.20)	20
2.964	3.075 / 3.118	
(79.25)	(82.07 / 83.16)	21
3.120	3.231 / 3.274	
(83.21)	(86.03 / 87.12)	22
3.276	3.387 / 3.430	
(87.17)	(89.94 / 91.08)	23
3.432	3.541 / 3.586	
(91.14)	(93.85 / 95.00)	24
3.588	3.695 / 3.740	

NOTES:

- SOLDERABILITY: WHEN PARTS ARE SOLDERED AT A TEMPERATURE OF (230°C) OR 446°F FOR 5 SECONDS EACH SOLDERED SURFACE SHALL BE A MINIMUM OF 95% COVERED WITH A SMOOTH CONTINUOUS ADHERENT COATING. FOR OTHER INFORMATION SEE SMES-152
- PIN PUSH OUT FORCE: PRIOR TO SOLDERING, A 3 LB MINIMUM FORCE (IN EITHER DIRECTION) SHALL BE REQUIRED TO PUSH THE PIN OUT OF THE HEADER.
- MATERIAL: HEADER GLASS FILLED POLYESTER, 94V-0, MOLDED BLACK
- THIS PART CONFORMS TO PRODUCT SPEC PS-08-50
- PARTS ARE STACKABLE END TO END ON .156 CENTERS. (SPACING TABS MUST BE REMOVED ON CIRCUIT SIZES 1 THROUGH 23 BEFORE PARTS ARE STACKABLE.)
- PLATINGS: FOR ADDITIONAL INFORMATION SEE SDES-88.
 PIN MATERIAL: BRASS
 (102) TIN .000200 MIN. OVER COPPER.
 (567) SELECT GOLD 15 M.I. MIN
 SELECT TIN/LEAD 100 M.I. MIN
 NICKEL OVERALL
 (569) SELECT GOLD 30 M.I. MIN
 SELECT TIN/LEAD 100 M.I. MIN
 NICKEL OVERALL



PCB LAYOUT: COMPONENT SIDE
 RECOMMENDED PCB THICKNESS:
 (1.57±.18) / .062±.007

DIMENSIONS SHOWN (METRIC) INCH UNLESS OTHERWISE SPECIFIED TOLERANCES: ANGULAR ± 1/2°		$\nabla = 0$ $\blacktriangledown = 0$ REVISE ONLY ON CAD SYSTEM TITLE BREAKAWAY HEADER ASSEMBLY .156C FRICTION LOCK STRAIGHT 41671 SERIES DWG.	
3 PLACE ± .010	INCH	METRIC	SHEET NO. DATE 1 OF 5 07/22/85
2 PLACE ± .014 ± 0.25			MOLEX INCORPORATED LITTLE, ILL. 60532 U.S.A.
1 PLACE ± 0.36			SHEET NO. DATE 1 OF 5 07/22/85
DRAFT WHERE APPLICABLE MUST REMAIN WITHIN DIMENSIONS		PART NO. DRWG. NO. SEE CHART SDA-41671	
DRWG. BY: SAMIEC	CHK'D. BY: PATEL	FILE NAME: S41671X1	DIV. C
APP'D. BY: LENZ	SCALE: :	THIS DRAWING CONTAINS INFORMATION THAT IS PROPRIETARY TO MOLEX INC. AND SHOULD NOT BE USED WITHOUT WRITTEN PERMISSION.	
LTR.	REVISIONS	LTR.	REVISIONS

5	AF I
4	AF
3	AF
2	AF
1	AF I

MFG. SH. REV.

	13	12	11	10	9	8	7	6	41671	4	3	2	1
J	ENG. NUMBERS		PIN NUMBER	PLT	DIM L	DIM X	DIM G GOLD	DIM Z	DIM T TIN	PACKAGING			
	A-41671-ANA102-*		2161-1(102)	102	(19.05) .750	(11.43) .450	()	(4.37) .172	()	BULK PK-41671-001			
	A-41671-CNA567-*		43294-0236	567	(19.05) .750	(11.43) .450	(6.86) .270	(4.37) .172	(4.06) .160	BULK PK-41671-001			
	A-41671-CNA569-*		43294-0237	569	(19.05) .750	(11.43) .450	(6.86) .270	(4.37) .172	(4.06) .160	BULK PK-41671-001			
I			-		()	()	()	()	()				
			-		()	()	()	()	()				

H	A-41671-ANA102-*			A-41671-ANA102-*			A-41671-ANA102-*			A-41671-CNA567-*			A-41671-CNA569-*		
	EDP NO.	ENG. NO.	VOIDS	EDP NO.	ENG. NO.	VOIDS	EDP NO.	ENG. NO.	VOIDS	EDP NO.	ENG. NO.	VOIDS	EDP NO.	ENG. NO.	VOIDS
G	26-48-1025	-A2A102		26-50-3030	-A3A102-2	2	41671-0085	-A10A102-56	5,8	41671-0001	-C02A567		41671-0024	-C02A569	
	26-48-1035	-A3A102		26-50-3040	-A4A102-2	2	26-50-3054	-A05A102-4	4	41671-0002	-C03A567		41671-0025	-C03A569	
	26-48-1045	-A4A102		26-50-3050	-A5A102-2	2	41671-3100	-A05A102-3	3	41671-0003	-C04A567		41671-0026	-C04A569	
	26-48-1055	-A5A102		26-50-3060	-A6A102-2	2				41671-0004	-C05A567		41671-0027	-C05A569	
	26-48-1065	-A6A102		26-50-3070	-A7A102-2	2				41671-0005	-C06A567		41671-0028	-C06A569	
	26-48-1075	-A7A102		26-50-3080	-A8A102-2	2				41671-0006	-C07A567		41671-0029	-C07A569	
	26-48-1085	-A8A102		26-50-3090	-A9A102-2	2				41671-0007	-C08A567		41671-0030	-C08A569	
	26-48-1095	-A9A102		26-50-3100	-A10A102-2	2				41671-0008	-C09A567		41671-0031	-C09A569	
F	26-48-1105	-A10A102		26-50-3110	-A11A102-2	2				41671-0009	-C10A567		41671-0032	-C10A569	
	26-48-1115	-A11A102		26-50-3120	-A12A102-2	2				41671-0010	-C11A567		41671-0033	-C11A569	
	26-48-1125	-A12A102		26-50-3130	-A13A102-2	2				41671-0011	-C12A567		41671-0034	-C12A569	
	26-48-1135	-A13A102		26-50-3140	-A14A102-2	2				41671-0012	-C13A567		41671-0035	-C13A569	
	26-48-1145	-A14A102		26-50-3150	-A15A102-2	2				41671-0013	-C14A567		41671-0036	-C14A569	
	26-48-1155	-A15A102		26-50-3160	-A16A102-2	2				41671-0014	-C15A567		41671-0037	-C15A569	
	26-48-1165	-A16A102		26-50-3170	-A17A102-2	2				41671-0015	-C16A567		41671-0038	-C16A569	
E	26-48-1175	-A17A102		26-50-3180	-A18A102-2	2				41671-0016	-C17A567		41671-0039	-C17A569	
	26-48-1185	-A18A102		26-50-3190	-A19A102-2	2				41671-0017	-C18A567		41671-0040	-C18A569	
	26-48-1195	-A19A102		26-50-3200	-A20A102-2	2				41671-0018	-C19A567		41671-0041	-C19A569	
	26-48-1205	-A20A102		26-50-3210	-A21A102-2	2				41671-0019	-C20A567		41671-0042	-C20A569	
	26-48-1215	-A21A102		26-50-3220	-A22A102-2	2				41671-0020	-C21A567		41671-0043	-C21A569	
	26-48-1225	-A22A102		26-50-3230	-A23A102-2	2				41671-0021	-C22A567		41671-0044	-C22A569	
	26-48-1235	-A23A102		26-50-3240	-A24A102-2	2				41671-0022	-C23A567		41671-0045	-C23A569	
D	26-48-1245	-A24A102		26-50-3145	-A14A102-55	2,4,8,12				41671-0023	-C24A567		41671-0046	-C24A569	
	26-50-3073	-A7A102-3	3	26-50-3155	-A15A102-54	3,10,13									
	26-50-5080	-A8A102-51	2,4	26-50-3066	-A6A102-54	2,4									
	26-50-3063	-A6A102-3	3	26-50-3108	-A10A102-53	3,10									
	26-50-3071	-A7A102-52	2,4,6	26-50-3103	-A10A102-7	7									
	26-50-3051	-A5A102-51	2,4	26-50-3087	-A8A102-52	5,7									
C	26-50-3062	-A6A102-4	4	26-50-5081	-A8A102-6	6									
	26-50-3152	-A15A102-52	4,6,8 10,12 14	26-50-3132	-A13A102-5	5									
	26-50-3111	-A11A102-51	5,10	26-50-3165	-A16A102-52	2, 15									
	26-50-3065	-A6A102-5	5	26-50-5090	-A10A102-55	2, 5									
	26-50-3126	-A12A102-53	2,3,5 6,8,10	26-50-3068	-A6A102-6	6									
B	26-50-3126	-A12A102-53	2,3,5 6,8,10	26-50-3167	-A16A102-53	2,4,6,8									
	26-50-3154	-A15A102-4	4	26-50-3202	-A20A102-51	2,4,6,8 10,12,14 16									

ALL PARTS WITHOUT VOIDS ON THIS SHEET ARE STANDARD PRODUCT

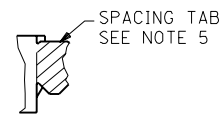
AF	SEE SHEET I	AB31	SEE SHEET I	DIMENSIONS SHOWN (METRIC) INCH UNLESS OTHERWISE SPECIFIED TOLERANCES ANGULAR ± 1/2° INCH METRIC 3 PLACE ± ± 2 PLACE ± ± 1 PLACE ± ± DRAFT WHERE APPLICABLE MUST REMAIN WITHIN DIMENSIONS DRWG. BY: SAMIEC CHK'D. BY: EDGLEY APP'D. BY: EDGLEY SCALE:
AE5	SEE SHEET I	AB17	SEE SHEET I	
AE2	SEE SHEET I	AB12	SEE SHEET I	
AE1	SEE SHEET I	AB7	SEE SHEET I	
AE	SEE SHEET I	R1	SEE SHEET I	
AB58	SEE SHEET I	R	SEE SHEET I	
LTR.	REVISIONS	LTR.	REVISIONS	

PART NO. SEE CHART FILE NAME S41671X2	SHEET NO. 2 DATE 07/25/85	U.S.A. MOLEX INCORPORATED 1315E.JLL. 69532	DIV. KK SIZE C
--	------------------------------	--	-------------------

REVISIONS ONLY ON CAD SYSTEM

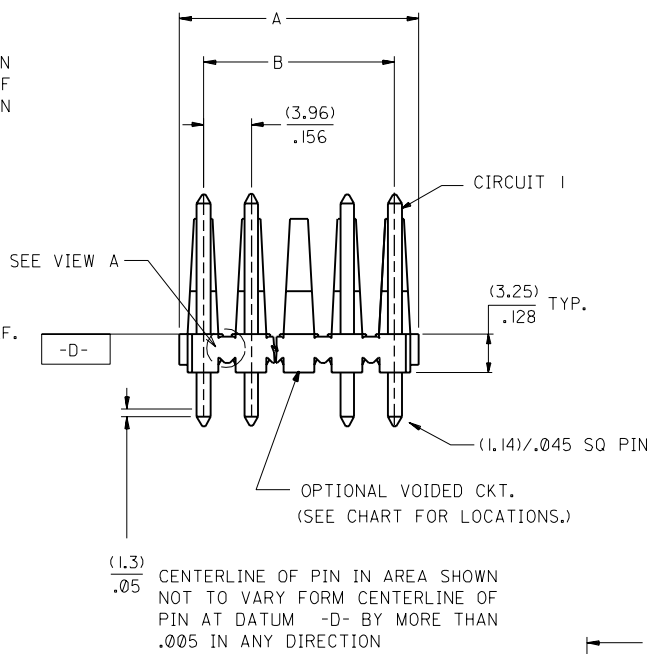
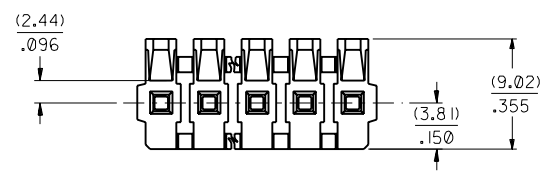
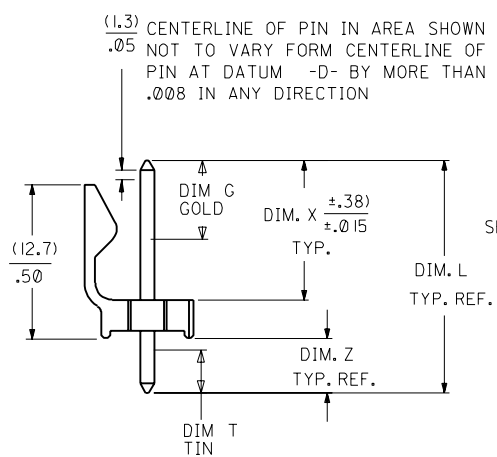
BREAKAWAY HEADER ASSEMBLY
 .156" FRICTION LOCK STRAIGHT
 41671 SERIES DWG

SDA-41671



SPACING TAB
SEE NOTE 5

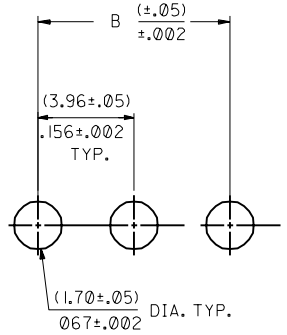
VIEW A



A-41671- * N * * - *
 PACKAGING AND OPTIONS:
 A=BRASS PIN BULK PACKED
 B=BRASS PIN TUBE PACKED
 NO. OF CKTS
 VOID LOCATIONS
 BLANK=NO VOIDS
 NO.=CKT. NO. VOIDED
 MULT. VOIDS START WITH 51
 PLATING
 PIN DIMENSIONS

B	A	CIRCUIT
(3.96)	(6.78 / 7.87)	2
.156	.267 / .310	
(7.92)	(10.74 / 11.84)	3
.312	.423 / .466	
(11.89)	(14.71 / 15.80)	4
.468	.579 / .622	
(15.85)	(18.67 / 19.76)	5
.624	.735 / .778	
(19.81)	(22.63 / 23.72)	6
.780	.891 / .934	
(23.77)	(26.59 / 27.69)	7
.936	1.047 / 1.090	
(27.74)	(30.56 / 31.65)	8
1.092	1.203 / 1.246	
(31.70)	(34.52 / 35.61)	9
1.248	1.359 / 1.402	
(35.66)	(38.48 / 39.57)	10
1.404	1.515 / 1.558	
(39.62)	(42.44 / 43.54)	11
1.560	1.671 / 1.714	
(43.59)	(46.41 / 47.50)	12
1.716	1.827 / 1.870	
(47.55)	(50.37 / 51.46)	13
1.872	1.983 / 2.026	
(51.51)	(54.33 / 55.42)	14
2.028	2.139 / 2.182	
(55.47)	(58.29 / 59.39)	15
2.184	2.295 / 2.338	
(59.44)	(62.26 / 63.35)	16
2.340	2.451 / 2.494	
(63.40)	(66.22 / 67.31)	17
2.496	2.607 / 2.650	
(67.36)	(70.18 / 71.27)	18
2.652	2.763 / 2.806	
(71.32)	(74.14 / 75.23)	19
2.808	2.919 / 2.962	
(75.29)	(78.11 / 79.20)	20
2.964	3.075 / 3.118	
(79.25)	(82.07 / 83.16)	21
3.120	3.231 / 3.274	
(83.21)	(86.03 / 87.12)	22
3.276	3.387 / 3.430	
(87.17)	(89.94 / 91.08)	23
3.432	3.541 / 3.586	
(91.14)	(93.85 / 95.00)	24
3.588	3.695 / 3.740	

- NOTES:
- SOLDERABILITY: WHEN PARTS ARE SOLDERED AT A TEMPERATURE OF (230°C) OR 446°F FOR 5 SECONDS EACH SOLDERED SURFACE SHALL BE A MINIMUM OF 95% COVERED WITH A SMOOTH CONTINUOUS ADHERENT COATING. FOR OTHER INFORMATION SEE SMES-152
 - PIN PUSH OUT FORCE: PRIOR TO SOLDERING, A 3 LB MINIMUM FORCE (IN EITHER DIRECTION) SHALL BE REQUIRED TO PUSH THE PIN OUT OF THE HEADER.
 - MATERIAL: HEADER GLASS FILLED POLYESTER, 94V-0, MOLDED BLACK
 - THIS PART CONFORMS TO PRODUCT SPEC PS-08-50
 - PARTS ARE STACKABLE END TO END ON .156 CENTERS. (SPACING TABS MUST BE REMOVED ON CIRCUIT SIZES 1 THROUGH 23 BEFORE PARTS ARE STACKABLE.)
 - PLATINGS: FOR ADDITIONAL INFORMATION SEE SD5-88.
 PIN MATERIAL: BRASS
 (102) TIN .000200 MIN. OVER COPPER.



PCB LAYOUT: COMPONENT SIDE
 RECOMMENDED PCB THICKNESS:
 (1.57±.18) / .062±.007

AF	REV PACK SPEC UCR2002-0481 11/21/01 SAMIEC	AE3	REL AN102 REL CNP569 UCR2001-0473 11-13-00 SAMIEC	DIMENSIONS SHOWN (METRIC) INCH UNLESS OTHERWISE SPECIFIED TOLERANCES ANGULAR 1/2°	▽ = 0 ▼ = 0 REVISE ONLY ON CAD SYSTEM
AE5	REL A5A102-3 UCR2002-0477 11/19/01 SAMIEC	AE2	ADD/REL A5A102-4 UCR1999-0795 8-4-99 SAMIEC	INCH METRIC 3 PLACE ± .010 2 PLACE ± .014 ±0.25 1 PLACE ±0.36	TITLE BREAKAWAY HEADER ASSEMBLY .156¢ FRICTION LOCK STRAIGHT 41671 SERIES DWG.
AE4	REL 2474/2496 UCR2002-0308 9/28/01 SAMIEC	AE1	ADD A10A102-56 UCR1999-0193 9-18-98 SAMIEC	DRAFT WHERE APPLICABLE MUST REMAIN WITHIN DIMENSIONS	MOLEX INCORPORATED LISLE, ILL. 60532 U.S.A. SHEET NO. 1 OF 4 DATE 10/22/85
LTR.	REVISIONS	LTR.	REVISIONS	DRG. NO. SDA-41671	FILE NAME S41671X1

4	AF
3	AF
2	AF
1	AF

MFG. SH. REV.

	I3	I2	I1	I0	9	8	7	6	41671	4	3	2	1
J	ENG. NUMBERS		PIN NUMBER	PLT	DIM L	DIM X	DIM G GOLD	DIM Z	DIM T TIN				
	A-41671-ANA102-*		2161-1(102)	102	(19.05) .750	(11.43) .450	()	(4.37) .172	()				
	A-41671-CNA567-*		43294-0236	567	(19.05) .750	(11.43) .450	(6.86) .270	(4.37) .172	(4.06) .160				
	A-41671-CNA569-*		43294-0237	569	(19.05) .750	(11.43) .450	(6.86) .270	(4.37) .172	(4.06) .160				
I			-		()	()	()	()	()				
			-		()	()	()	()	()				

A-41671-ANA102-*			A-41671-ANA102-*			A-41671-ANA102-*			A-41671-CNA567-*			A-41671-CNA569-*		
EDP NO.	ENG. NO.	VOIDS	EDP NO.	ENG. NO.	VOIDS	EDP NO.	ENG. NO.	VOIDS	EDP NO.	ENG. NO.	VOIDS	EDP NO.	ENG. NO.	VOIDS
26-48-1025	-A2A102		26-50-3030	-A3A102-2	2	41671-0085	-A10A102-56	5,8	41671-0001	-C02A567		41671-0024	-C02A569	
26-48-1035	-A3A102		26-50-3040	-A4A102-2	2	26-50-3054	-A05A102-4	4	41671-0002	-C03A567		41671-0025	-C03A569	
26-48-1045	-A4A102		26-50-3050	-A5A102-2	2	41671-3100	-A05A102-3	3	41671-0003	-C04A567		41671-0026	-C04A569	
26-48-1055	-A5A102		26-50-3060	-A6A102-2	2				41671-0004	-C05A567		41671-0027	-C05A569	
26-48-1065	-A6A102		26-50-3070	-A7A102-2	2				41671-0005	-C06A567		41671-0028	-C06A569	
26-48-1075	-A7A102		26-50-3080	-A8A102-2	2				41671-0006	-C07A567		41671-0029	-C07A569	
26-48-1085	-A8A102		26-50-3090	-A9A102-2	2				41671-0007	-C08A567		41671-0030	-C08A569	
26-48-1095	-A9A102		26-50-3100	-A10A102-2	2				41671-0008	-C09A567		41671-0031	-C09A569	
26-48-1105	-A10A102		26-50-3110	-A11A102-2	2				41671-0009	-C10A567		41671-0032	-C10A569	
26-48-1115	-A11A102		26-50-3120	-A12A102-2	2				41671-0010	-C11A567		41671-0033	-C11A569	
26-48-1125	-A12A102		26-50-3130	-A13A102-2	2				41671-0011	-C12A567		41671-0034	-C12A569	
26-48-1135	-A13A102		26-50-3140	-A14A102-2	2				41671-0012	-C13A567		41671-0035	-C13A569	
26-48-1145	-A14A102		26-50-3150	-A15A102-2	2				41671-0013	-C14A567		41671-0036	-C14A569	
26-48-1155	-A15A102		26-50-3160	-A16A102-2	2				41671-0014	-C15A567		41671-0037	-C15A569	
26-48-1165	-A16A102		26-50-3170	-A17A102-2	2				41671-0015	-C16A567		41671-0038	-C16A569	
26-48-1175	-A17A102		26-50-3180	-A18A102-2	2				41671-0016	-C17A567		41671-0039	-C17A569	
26-48-1185	-A18A102		26-50-3190	-A19A102-2	2				41671-0017	-C18A567		41671-0040	-C18A569	
26-48-1195	-A19A102		26-50-3200	-A20A102-2	2				41671-0018	-C19A567		41671-0041	-C19A569	
26-48-1205	-A20A102		26-50-3210	-A21A102-2	2				41671-0019	-C20A567		41671-0042	-C20A569	
26-48-1215	-A21A102		26-50-3220	-A22A102-2	2				41671-0020	-C21A567		41671-0043	-C21A569	
26-48-1225	-A22A102		26-50-3230	-A23A102-2	2				41671-0021	-C22A567		41671-0044	-C22A569	
26-48-1235	-A23A102		26-50-3240	-A24A102-2	2				41671-0022	-C23A567		41671-0045	-C23A569	
26-48-1245	-A24A102		26-50-3145	-A14A102-55	2,4,8,12				41671-0023	-C24A567		41671-0046	-C24A569	
26-50-3073	-A7A102-3	3	26-50-3155	-A15A102-54	3,10,13									
26-50-5080	-A8A102-51	2,4	26-50-3066	-A6A102-54	2,4									
26-50-3063	-A6A102-3	3	26-50-3108	-A10A102-53	3,10									
26-50-3071	-A7A102-52	2,4,6	26-50-3103	-A10A102-7	7									
26-50-3051	-A5A102-51	2,4	26-50-3087	-A8A102-52	5,7									
26-50-3062	-A6A102-4	4	26-50-5081	-A8A102-6	6									
26-50-3152	-A15A102-52	4,6,8,10,12,14	26-50-3132	-A13A102-5	5									
			26-50-3165	-A16A102-52	2, 15									
26-50-3111	-A11A102-51	5,10	26-50-3167	-A16A102-53	2,4,6,8									
26-50-3065	-A6A102-5	5	26-50-3202	-A20A102-51	2,4,6,8,10,12,14,16									
26-50-3126	-A12A102-53	2,3,5,6,8,10												
26-50-3154	-A15A102-4	4												

ALL PARTS WITHOUT VOIDS ON THIS SHEET ARE STANDARD PRODUCT

SEE SHEET I	AB31	SEE SHEET I	DIMENSIONS SHOWN (METRIC) INCH UNLESS OTHERWISE SPECIFIED TOLERANCES ANGULAR ± 1/2° INCH METRIC 3 PLACE ± ± 2 PLACE ± ± 1 PLACE ± ± DRAFT WHERE APPLICABLE MUST REMAIN WITHIN DIMENSIONS DRWG. NO. SDA-41671	REVISE ONLY ON CAD SYSTEM
SEE SHEET I	AB19	SEE SHEET I		
AE5	SEE SHEET I	AB17		SEE SHEET I
AE2	SEE SHEET I	AB12		SEE SHEET I
AE1	SEE SHEET I	AB7		SEE SHEET I
AE	SEE SHEET I	R1		SEE SHEET I
AB58	SEE SHEET I	R		SEE SHEET I

DRWG. BY: SAMIEC CHK'D BY: EDGLEY
 APP'D BY: EDGLEY SCALE: 1:1

FILE NAME: S41671X2
 THIS DRAWING CONTAINS INFORMATION THAT IS PROPRIETARY TO MOLEX INC. AND SHOULD NOT BE USED WITHOUT WRITTEN PERMISSION.

SHEET NO. 2 DATE 07/25/85
 MOLEX INCORPORATED U.S.A. 1316, ILL. 60532

	I3	I2	I1	I0	9	8	7	6	5	4	3	2	1
--	----	----	----	----	---	---	---	---	---	---	---	---	---