

Arrays

- For Detailed LED Data, See Discrete Section, MODEL 200

TO ORDER, FOLLOW THE EXAMPLE:

Select one BOLD component from each SHADED column in the tables below.

1	Model	2	LED
PCLR2003		-BCR	

→ Part Number PCLR2003-BCR

1	Model
PCLR200N ^[1]	Right Angle Variable Array
PCL2004	Right Angle Four LED Array

STANDARD INTENSITY - DIFFUSED ENCAPSULATION				
LED	Color	λ _{pk} (nm)	I _v ^[2] (mcd)	Viewing Angle
-BR	RED	635	14	60
-BA	AMB	583	16	60
-BG	GRN	565	10	60

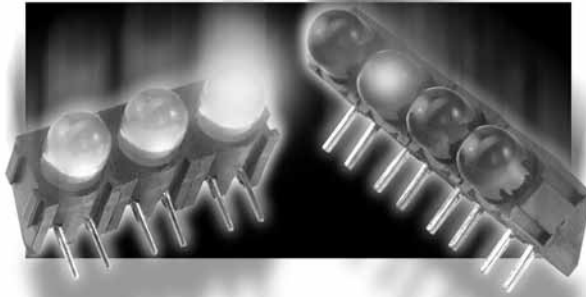
MEDIUM INTENSITY - TINTED ENCAPSULATION				
LED	Color	λ _{pk} (nm)	I _v ^[2] (mcd)	Viewing Angle
-BCR	RED	635	120	35
-BCA	AMB	583	100	35
-BCG	GRN	565	80	24

SPECIALTY LEDs					
LED	Color	λ _{pk} (nm)	I _v ^[2] (mcd)	Viewing Angle	Description
-RLP	RED	635	2.3	50	Low Power
-ALP	AMB	583	2.1	50	Low Power
-GLP	GRN	565	2.3	50	Low Power
-LRG ^[3]	RED/GRN	660/565	90/40	60	Bi-Color, Red Cathode

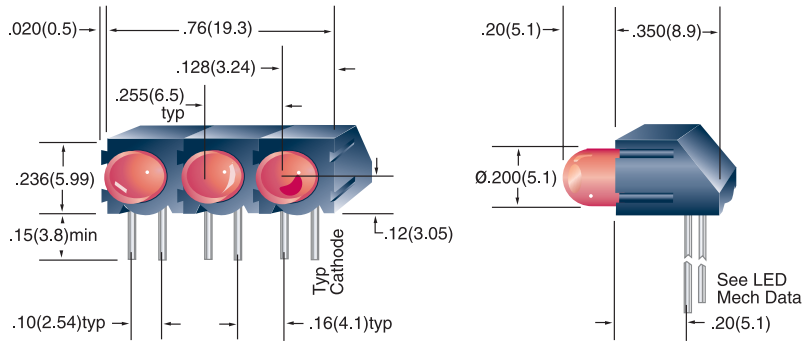
[1] Replace "N" with number of LEDs in the array, 2 - 4 (e.g. PCLR2003).

[2] I_v = typical luminous intensity @ I_f = 20mA (T_a=25°C), Low Power LEDs @ I_f = 2mA.

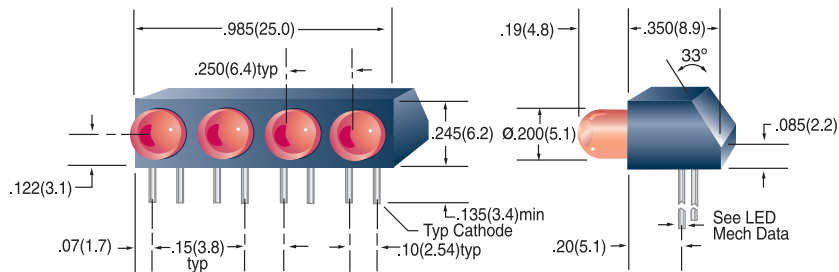
[3] Left lead = Green cathode.



PCLR2003



PCL2004



All dimensions are in inches (mm)
 Tolerances: .xx"(.x) ±.025"(.63) / .xxx"(.xx)±.010"(.25)
 Specifications are subject to change without notice.