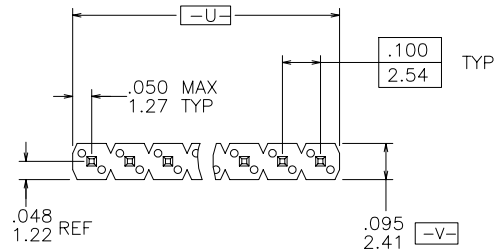


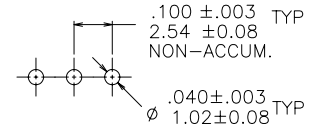
PRODUCT NUMBER

XXXXX-YYYHTLF

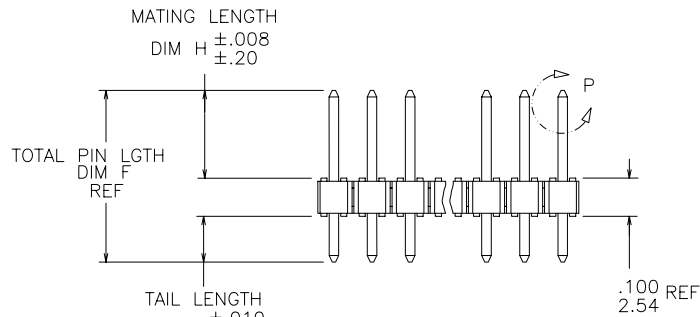
- LEAD FREE OPTION
(SEE NOTES 1)
- PACKAGING OPTIONS
(SEE NOTE 1)
- HIGH TEMPERATURE PLASTIC
(SEE NOTE 1)
- NO OF POSITIONS
(SEE NOTE 1)
- PIN PLATING
(SEE SHEET 2)
- BASE PART NO.



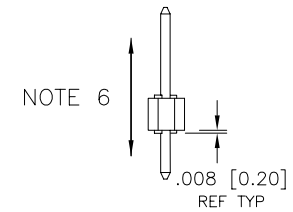
TOP VIEW



RECOMMENDED HOLE PATTERN



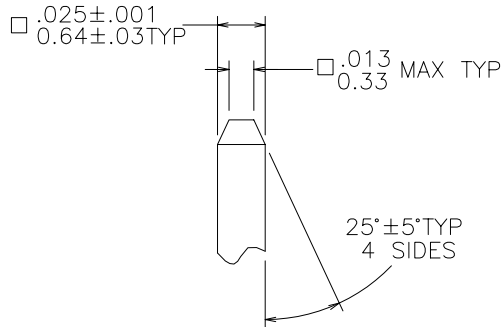
SIDE VIEW



END VIEW

⊕ ∅.020/.51 (M) U (M) V (S)

NOTE 4



DETAIL P
TYP BOTH ENDS

mat'l. code SEE NOTES 2 & 3		surface ISO 1302 ✓	tolerance ISO 406 ISO 1101	projection INCH/MM	product family BERGSTIK						
ltr	ecn no	dr	date	tolerances unless otherwise specified	title						
CH	V21800	TAB	12/16/02	angles .xx±.01/0.3	BERGSTIK® II HEADER 1.00/2.54cc SR STRAIGHT						
CJ	M04-0234	MHT	12/29/04	linear .xxx±.005/0.13							
CK	M05-0072	MHT	5/03/05	0°±2' .xxxx±.0020/0.051	scale 1:1						
CL	M06-0039	MHT	1/18/06	dr T.BREWBAKER 01/05/95	dwg no 68000 sheet 1 of 8 size A3						
CM	M06-0268	MHT	7/17/06	engr T.HANNA 01/05/95							
CN	M06-0346	MHT	9/04/06	chr J.MURPHY 01/05/95	type Product Customer Drawing						
CP	M07-0118	AGS	2/16/07	appd T.HANNA 01/05/95							
sheet	revision	CP	CP	CP	CP	CP	CP	CP	CP	CP	CP
index	sheet	1	2	3	4	5	6	7	8		

PIN PLATING CODES:	
XXXX-1YY	30u"/0.76u MIN (SEE NOTE 13) OVER 50u"/1.27u MIN Ni
XXXX-2YY	15u"/0.38u MIN (SEE NOTE 13) OVER 50u"/1.27u MIN Ni
XXXX-3YY	50u"/1.27u MIN Au OVER 50u"/1.27u MIN Ni
XXXX-4YY	100u"/2.54u MIN Sn OVER 50u"/1.27u MIN Ni (SEE NOTE 14)
XXXX-4YYHLF	
XXXX-5YY	15u"/0.38u MIN (SEE NOTE 13) OVER 50u"/1.27u MIN Ni
XXXX-6YY	30u"/0.76u MIN (SEE NOTE 13) OVER 50u"/1.27u MIN Ni
XXXX-7YY	30u"/0.76u MIN Au OVER 50u"/1.27u MIN Ni
XXXX-8YY	15u"/0.38u MIN Au OVER 50u"/1.27u MIN Ni
XXXX-9YY	15u"/0.38u MIN GXT OVER 50u"/1.27u MIN Ni
XXXX-0YY	30u"/0.76u MIN GXT OVER 50u"/1.27u MIN Ni

NOTES

1. PART NUMBER OPTIONS:

PIN PLATING CODES (SEE ABOVE)

HIGH TEMP. MATERIAL:

FOR HIGH-TEMPERATURE APPLICATIONS, SPECIFY AN "H" AT THE END OF THE PART NUMBER.

NUMBER OF POSITIONS :

ANY NUMBER OF POSITIONS FROM 1 THRU 36.
 -X00H INDICATES BERGSTRIK PRODUCT. SEE PAGE 3 FOR SPECIAL GEOMETRY OF THIS CONTINUOUS STRIP PRODUCT.
 AUTOMATED REELS WILL CONTAIN 36,000 PINS.
 SEE SPECIFIC PART NUMBERS FOR AVAILABILITY.

PACKAGING :

NO INDICATOR IS STANDARD PACKAGING IN POLY BAGS.
 EIGHT DIGIT PART NUMBERS FOLLOWED BY A "T" ARE PACKAGED IN TUBES. SEE SPECIFIC PART NUMBERS FOR AVAILABILITY.
 EIGHT DIGIT PART NUMBERS FOLLOWED BY A "C" ARE PACKAGED IN TUBES WITH PICKUP CAP APPLIED. (NOT TOOLED)

BERGSTRIK™ PART NUMBERS FOLLOWED BY A "B" ARE BULK PRICED.

LEAD FREE :

ADD "HLF" SUFFIX AT THE END OF PART NUMBER FOR LEAD FREE OPTION, NOT AVAILABLE FOR -5YY,-5YYH, -6YY & -6YYH

- 2. BODY MATERIAL :
 BERGSTIK: MANUFACTURER'S OPTION OF NYLON OR PCT, GLASS FIBER REINFORCED, FLAME RETARDENT PER UL-94V-0. COLOR : BLACK
 BERGSTRIK™: PRODUCED WITH HIGH TEMPERATURE LCP THERMOPLASTIC, FLAME RETARDENT PER UL-94V-0. COLOR : BLACK
 PART NUMBERS WITH "H" SUFFIX WILL WITHSTAND EXPOSURE TO 260°C PEAK TEMPERATURE FOR 20 SECONDS IN WAVE SOLDER, INFRA-RED OR VAPOR PHASE SOLDER PROCESS.
 PART NUMBERS WITHOUT "H" SUFFIX WILL WITHSTAND EXPOSURE TO 260°C PEAK TEMPERATURE FOR WAVE SOLDER PROCESS.
- 3. PIN MATERIAL : PHOS-BRONZE.
- 4. MEASURED WITH PART IN RESTRAINED CONDITION.
- 5. TWO SIDES OF PIN TIPS NOT PLATED. TYPICAL BOTH ENDS.
- 6. 2LBS/0.9KG MIN PIN RETENTION IN EITHER DIRECTION.
- 7. PIN CANNOT PROTRUDE PAST EDGE OF HOUSING. MUST BE .005±.005/.13±.13 FROM END OF HOUSING HOLE.
- 8. MILITARY BERGSTRIK HEADER
 P/N XXXXX-XYY-MIL.
 NOT AVAILABLE.
- 9. ±.010/0.25 TOL APPLIES TO ALL "G" TAILS EXCEPT INDICATED PARTS ON TABLE WHERE +.010/0.25 -.000/0.00 APPLIES.
- 10. INDICATED PART NUMBERS ARE PRODUCED AND SOLD IN THE TAIWAN/SINGAPORE AREAS. THESE ARE NOT AVAILABLE IN BERGSTRIK™ CONTINUOUS STRIP.
- 11. NOTCH CONFIGURATION WILL VARY PER VENDOR'S DISCRETION.
- 12. THESE PRODUCTS MEETS EUROPEAN UNION DIRECTIVES AND OTHER COUNTRY REGULATION AS DESCRIBED IN GS-22-008.
- 13. PLATING OPTIONS:
 MAY BE EITHER GOLD OR GXT PLATED AT MANUFACTURER'S OPTION.
- 14. "THIS PRODUCT HAS 100% TIN PLATING IN THE INTERFACE AND HAS NOT BEEN TESTED FOR WHISKER GROWTH IN ALL INTERCONNECT ENVIRONMENTS."

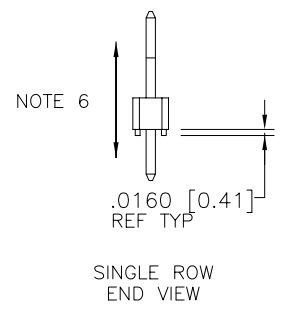
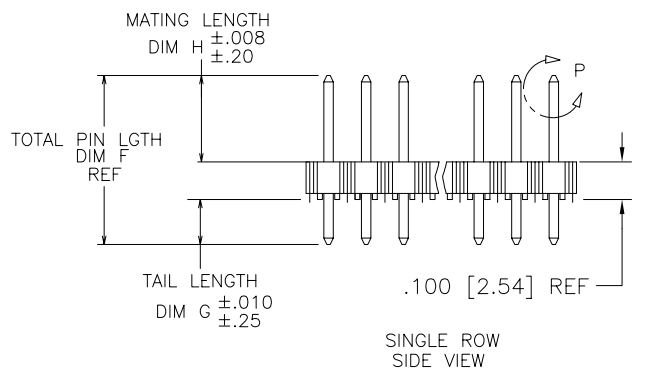
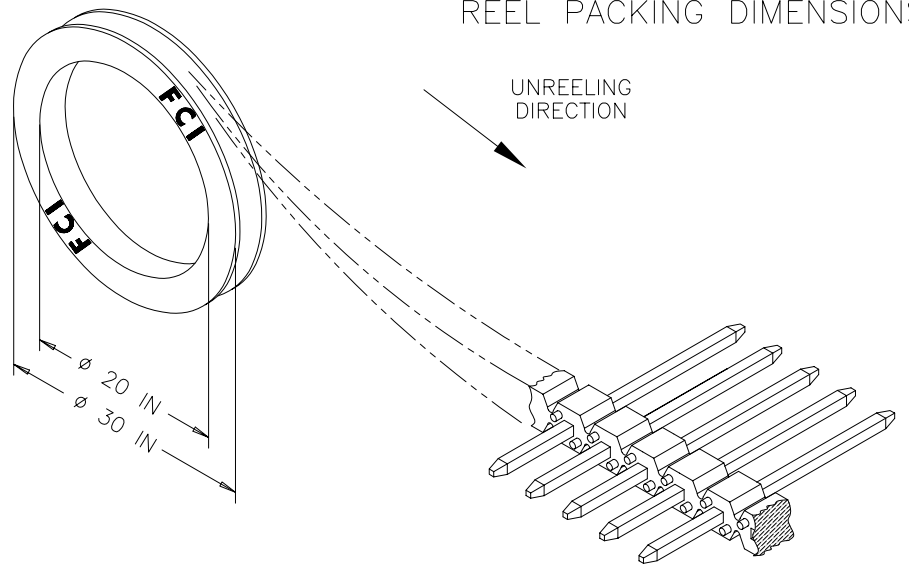
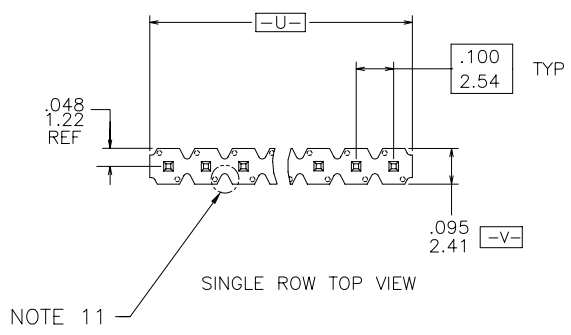
FCJ
 FCconnect.com
 Copyright FCJ

mat'l. code SEE NOTES 2 & 3		surface ISO 1302 ✓		tolerance ISO 406 ISO 1101		projection ⊕		product family BERGSTIK	
ltr	ecn	no	dr	date		tolerances unless otherwise specified		title	
CP				angles	linear	.xx±.01/0.3 .xxx±.005/0.13 .xxxx±.0020/0.051		BERGSTIK® II HEADER	
				0°±2'		INCH/MM		100/2.54cc SR STRAIGHT	
				dr	T.BREWBAKER	01/05/95		dwg no	
				enrg	T.HANNA	01/05/95		sheet 2 of 8 size	
				chr	J.MURPHY	01/05/95		68000 A3	
				appd	T.HANNA	01/05/95		type Product Customer Drawing	
sheet index	revision sheet								

1 | 2 | 3 | 4 | 5 | 6

BERGSTRIPTM HEADER

REEL PACKING DIMENSIONS



Copyright FCI

mat'l. code SEE NOTES 2 & 3		surface ISO 1302 ✓	tolerance ISO 406 ISO 1101	projection INCH/MM	product family BERGSTIK
ltr	ecn no	dr	date	title BERGSTIK® II HEADER	
CP				.100/2.54cc SR STRAIGHT	
		angles	linear	scale 1:1	dwg no 68000
		0°±2'	.xx±.01/0.3 .xxx±.005/0.13 .xxxx±.0020/0.051		sheet 3 of 8 size A3
		dr	T.BREWBAKER 01/05/95	FCI	type Product Customer Drawing
		enr	T.HANNA 01/05/95		
		chr	J.MURPHY 01/05/95		
		appd	T.HANNA 01/05/95		
sheet index	revision sheet				

form: A3 | 1 | 2 | 3 | 4 | 5 | 6

PRODUCT NUMBER	TOTAL PIN LGTH		TAIL LENGTH		MATING LENGTH		PACKAGING	NOTES	BERGSTRIPTM AVAILABLE	LF OPTION
	DIM F	DIM F	DIM G	DIM G	DIM H	DIM H				
	ENGLISH	METRIC	ENGLISH	METRIC	ENGLISH	METRIC				
55492-YYYH	0.315	8.00	0.095	2.41	0.120	3.05	POLY BAGS	-	NO	NOTE 1,12
60017-YYYH	0.640	16.26	0.210	5.33	0.310	7.87	POLY BAGS	-	NO	
60018-YYYH	0.660	16.76	0.250	6.35	0.310	7.87	POLY BAGS	-	NO	
63334-YYYH	0.435	11.05	0.095	2.41	0.240	6.10	POLY BAGS	-	NO	
68000-XY	0.425	10.80	0.095	2.41	0.230	5.84	POLY BAGS	-	YES	
68001-XY	0.450	11.43	0.120	3.05	0.230	5.84	POLY BAGS/TUBES	-	YES	
68002-XY	0.480	12.19	0.150	3.81	0.230	5.84	POLY BAGS	-	YES	
68003-XY	0.525	13.34	0.195	4.95	0.230	5.84	POLY BAGS	-	NO	
68004-XY	0.525	13.34	0.107	2.72	0.318	8.08	POLY BAGS	-	YES	
68024-XY	0.568	14.43	0.150	3.81	0.318	8.08	POLY BAGS	-	YES	
68031-XY	0.513	13.03	0.183	4.65	0.230	5.84	POLY BAGS	-	NO	
68032-XY	0.543	13.79	0.213	5.41	0.230	5.84	POLY BAGS	-	NO	
68033-XY	0.708	17.98	0.473	12.01	0.135	3.43	POLY BAGS	-	NO	
68415-XY	0.615	15.62	0.115	2.92	0.400	10.16	POLY BAGS	-	NO	
68416-XY	0.813	20.65	0.483	12.27	0.230	5.84	POLY BAGS	-	NO	
68418-XY	0.730	18.54	0.400	10.16	0.230	5.84	POLY BAGS	-	NO	
68422-XY	0.631	16.03	0.213	5.41	0.318	8.08	POLY BAGS	-	NO	
68443-XY	0.755	19.18	0.425	10.80	0.230	5.84	POLY BAGS	-	NO	
68456-XY	0.825	20.96	0.115	2.92	0.610	15.49	POLY BAGS	-	NO	
68457-XY	0.548	13.92	0.130	3.30	0.318	8.08	POLY BAGS	-	NO	
68465-XY	0.925	23.50	0.595	15.11	0.230	5.84	POLY BAGS	-	NO	
68466-XY	0.925	23.50	0.128	3.25	0.697	17.70	POLY BAGS	-	NO	
68472-XY	0.913	23.19	0.413	10.49	0.400	10.16	POLY BAGS	-	NO	
68479-XY	0.718	18.24	0.388	9.86	0.230	5.84	POLY BAGS	-	NO	
68483-XY	0.835	21.21	0.417	10.59	0.318	8.08	POLY BAGS	-	NO	
68487-XY	0.705	17.91	0.110	2.79	0.495	12.57	POLY BAGS	-	NO	
68489-XY	1.095	27.81	0.765	19.43	0.230	5.84	POLY BAGS	-	NO	
68490-XY	1.025	26.04	0.695	17.65	0.230	5.84	POLY BAGS	-	NO	
68497-XY	0.612	15.54	0.085	2.16	0.427	10.85	POLY BAGS	-	NO	
68603-XY	0.555	14.10	0.120	3.05	0.335	8.51	POLY BAGS	-	NO	
68604-XY	0.600	15.24	0.120	3.05	0.380	9.65	POLY BAGS	-	NO	NOTE 1,12



FCIconnect.com

Copyright FCI

mat'l. code SEE NOTES 2 & 3		surface ISO 1302 ✓	tolerance ISO 406 ISO 1101	projection 	product family BERGSTIK
ltr	ecn no dr	date		tolerances unless otherwise specified	title
CP		angles	linear	.xx±.01/0.3 .xxx±.005/0.13 .xxxx±.0020/0.051	BERGSTIK® II HEADER
		0°±2'		INCH/MM	.100/2.54cc SR STRAIGHT
		dr	T.BREWBAKER	01/05/95	scale 1:1
		enr	T.HANNA	01/05/95	dwg no sheet 4 of 8 size
		chr	J.MURPHY	01/05/95	68000 A3
		appd	T.HANNA	01/05/95	type Product Customer Drawing
sheet index	revision sheet				

PRODUCT NUMBER	TOTAL PIN LGTH		TAIL LENGTH		MATING LENGTH		PACKAGING	NOTES	BERGSTRIPTM AVAILABLE	LF OPTION
	DIM F	DIM F	DIM G	DIM G	DIM H	DIM H				
	ENGLISH	METRIC	ENGLISH	METRIC	ENGLISH	METRIC				
68629-YYY	0.621	15.77	0.203	5.16	0.318	8.08	POLY BAGS	-	NO	NOTE 1,12
68630-YYY	0.603	15.32	0.273	6.93	0.230	5.84	POLY BAGS	-	NO	
68631-YYY	0.703	17.86	0.203	5.16	0.400	10.16	POLY BAGS	-	NO	
68632-YYY	0.743	18.87	0.413	10.49	0.230	5.84	POLY BAGS	-	NO	
68633-YYY	0.643	16.33	0.225	5.72	0.318	8.08	POLY BAGS	-	NO	
68634-YYY	1.013	25.73	0.683	17.35	0.230	5.84	POLY BAGS	-	NO	
68642-YYY	0.913	23.19	0.583	14.81	0.230	5.84	POLY BAGS	-	NO	
68652-YYY	1.470	37.34	0.670	17.02	0.700	17.78	POLY BAGS	-	NO	
68653-YYY	0.735	18.67	0.095	2.41	0.540	13.72	POLY BAGS	-	NO	
68654-YYY	1.050	26.67	0.670	17.02	0.280	7.11	POLY BAGS	-	NO	
68655-YYY	0.708	17.98	0.290	7.37	0.318	8.08	POLY BAGS	-	NO	
68656-YYY	1.113	28.27	0.613	15.57	0.400	10.16	POLY BAGS	-	NO	
68657-YYY	0.588	14.94	0.368	9.35	0.120	3.05	POLY BAGS	-	NO	
68658-YYY	0.820	20.83	0.130	3.30	0.590	14.99	POLY BAGS	-	NO	
68659-YYY	0.608	15.44	0.398	10.11	0.110	2.79	POLY BAGS	-	NO	
68686-YYY	1.016	25.81	0.458	11.63	0.458	11.63	POLY BAGS	-	NO	
68689-YYY	0.913	23.19	0.213	5.41	0.600	15.24	POLY BAGS	-	NO	
68705-YYY	0.395	10.03	0.095	2.41	0.200	5.08	POLY BAGS	-	NO	
68717-YYY	0.615	15.62	0.285	7.24	0.230	5.84	POLY BAGS	-	NO	
68730-YYY	0.555	14.10	0.225	5.72	0.230	5.84	POLY BAGS	-	NO	
68731-YYY	0.880	22.35	0.440	11.18	0.340	8.64	POLY BAGS	-	NO	
68735-YYY	1.016	25.81	0.520	13.21	0.396	10.06	POLY BAGS	-	NO	
68755-YYY	1.166	29.62	0.533	13.54	0.533	13.54	POLY BAGS	-	NO	
68760-YYY	0.803	20.40	0.353	8.97	0.350	8.89	POLY BAGS	-	NO	
68762-YYY	0.588	14.94	0.213	5.41	0.275	6.99	POLY BAGS	-	NO	
68771-YYY	0.470	11.94	0.100	2.54	0.270	6.86	POLY BAGS	-	NO	
68781-YYY	0.691	17.55	0.273	6.93	0.318	8.08	POLY BAGS	-	NO	



Copyright FCI

mat'l. code SEE NOTES 2 & 3		surface ISO 1302 ✓		tolerance ISO 406 ISO 1101		projection 		product family BERGSTIK	
ltr	ecn	no	dr	date		tolerances unless otherwise specified		title	
CP						angles	linear	BERGSTIK® II HEADER	
						0°±2'	.xx±.01/0.3 .xxx±.005/0.13 .xxxx±.0020/0.051	100/2.54cc SR STRAIGHT	
						dr	T.BREWBAKER	01/05/95	dwg no
						enr	T.HANNA	01/05/95	sheet 5 of 8
						chr	J.MURPHY	01/05/95	size
						appd	T.HANNA	01/05/95	A3
sheet index	revision sheet								type Product Customer Drawing

PRODUCT NUMBER	TOTAL PIN LGTH		TAIL LENGTH		MATING LENGTH		PACKAGING	NOTES	BERGSTRIPTM AVAILABLE	LF OPTION
	DIM F	DIM F	DIM G	DIM G	DIM H	DIM H				
	ENGLISH	METRIC	ENGLISH	METRIC	ENGLISH	METRIC				
68795-XYY	0.500	12.70	0.062	1.57	0.338	8.59	POLY BAGS	-	NO	NOTE 1,12
68796-XYY	0.633	16.08	0.423	10.74	0.110	2.79	POLY BAGS	-	NO	
68797-XYY	0.413	10.49	0.213	5.41	0.100	2.54	POLY BAGS	-	NO	
69148-XYY	0.442	11.43	0.000	0.00	0.350	8.89	POLY BAGS	-	NO	
69152-XYY	0.720	18.29	0.120	3.05	0.500	12.70	POLY BAGS/TUBES	-	NO	
69173-XYY	0.530	13.46	0.135	3.43	0.295	7.49	POLY BAGS	-	NO	
69188-XYY	0.751	19.08	0.333	8.46	0.318	8.08	POLY BAGS	-	NO	
69751-XYY	0.440	11.18	0.170	4.32	0.170	4.32	POLY BAGS	NOTE 10	NO	
71417-XYY	0.664	16.87	0.115	2.92	0.449	11.40	POLY BAGS	NOTE 10	NO	
72260-XYYH	0.930	23.62	0.090	2.29	0.740	18.80	POLY BAGS	-	NO	
72323-XYYH	1.200	30.48	0.100	2.54	1.000	25.40	POLY BAGS	-	NO	
72457-XYYH	1.100	27.94	0.090	2.29	0.910	23.11	POLY BAGS	-	NO	
73698-XYYH	1.100	27.94	0.120	3.05	0.880	22.35	POLY BAGS	-	NO	
74464-XYYH	1.028	26.11	0.610	15.49	0.318	8.08	POLY BAGS	-	NO	
78240-XYY	0.663	16.84	0.333	8.46	0.230	5.84	POLY BAGS	-	NO	
78287-XYY	0.678	17.22	0.120	3.05	0.458	11.63	POLY BAGS	-	NO	
78290-XYY	1.250	31.75	0.500	12.70	0.650	16.51	POLY BAGS	-	NO	
78511-XYY	0.538	13.67	0.120	3.05	0.318	8.08	POLY BAGS/TUBES	-	YES	
78595-XYY			NOT AVAILABLE					-	-	
78931-XYY			NOT AVAILABLE					-	-	
78958-XYY			NOT AVAILABLE					-	-	
78959-XYY			NOT AVAILABLE					-	-	
78977-XYY			NOT AVAILABLE					-	-	
78998-XYY	0.430	10.92	0.155	3.94	0.175	4.45	POLY BAGS	-	NO	
78999-XYY			NOT AVAILABLE					-	-	
79428-XYY	0.695	17.65	0.120	3.05	0.475	12.07	POLY BAGS	-	NO	
79849-XYY	0.620	15.75	0.120	3.05	0.400	10.16	POLY BAGS	-	NO	



FCIconnect.com

Copyright FCI

mat'l. code SEE NOTES 2 & 3		surface ISO 1302 ✓		tolerance ISO 406 ISO 1101		projection ⊕		product family BERGSTIK	
ltr	ecn	no	dr	date		tolerances unless otherwise specified		title	
CP						angles	linear	BERGSTIK® II HEADER	
						0°±2'	.xx±.01/0.3 .xxx±.005/0.13 .xxxx±.0020/0.051	.100/2.54cc SR STRAIGHT	
						dr	T.BREWBAKER	01/05/95	scale 1:1
						enr	T.HANNA	01/05/95	dwg no sheet 6 of 8 size
						chr	J.MURPHY	01/05/95	68000 A3
						appd	T.HANNA	01/05/95	type Product Customer Drawing
sheet index	revision sheet								

PRODUCT NUMBER	TOTAL PIN LGTH		TAIL LENGTH		MATING LENGTH		PACKAGING	NOTES	BERGSTRIPTM AVAILABLE	LF OPTION
	DIM F	DIM F	DIM G	DIM G	DIM H	DIM H				
	ENGLISH	METRIC	ENGLISH	METRIC	ENGLISH	METRIC				
84918-XYH	0.340	8.64	0.120	3.05	0.120	3.05	POLY BAGS	-	YES	NOTE 1,12
84921-XYH	0.370	9.40	0.150	3.81	0.120	3.05	POLY BAGS	-	YES	
86506-XY	0.440	11.18	0.120	3.05	0.220	5.59	POLY BAGS	-	YES	
86579-XY	0.450	11.43	0.120	3.05	0.230	5.84	POLY BAGS	NOTE 9	NO	
86634-XY		NOT	AVAILABLE					-	-	
86635-XY		NOT	AVAILABLE					-	-	
86636-XY		NOT	AVAILABLE					-	-	
86637-XY		NOT	AVAILABLE					-	-	
86638-XY		NOT	AVAILABLE					-	-	
86793-XY	0.900	22.86	0.100	2.54	0.700	17.78	POLY BAGS	NOTE 10	NO	
86899-XY	1.020	25.91	0.120	3.05	0.800	20.32	POLY BAGS	-	NO	
87185-XY	1.238	31.45	0.095	2.41	1.043	26.49	POLY BAGS	NOTE 10	NO	
87204-XY	0.895	22.73	0.120	3.05	0.675	17.15	POLY BAGS	-	NO	
87241-XY	1.000	25.40	0.120	3.05	0.780	19.81	POLY BAGS	-	NO	
87502-XYH	1.130	28.70	0.110	2.79	0.920	23.37	POLY BAGS	-	NO	
87827-XY	0.380	9.65	0.120	3.05	0.160	4.06	POLY BAGS	-	NO	
87916-XY	1.058	26.87	0.128	3.25	0.830	21.08	POLY BAGS	-	NO	
88005-XY	0.536	13.61	0.095	2.41	0.341	8.66	POLY BAGS	NOTE 10	NO	
88706-XY	0.900	22.86	0.100	2.54	0.700	17.78	POLY BAGS	-	NO	
89232-XY	0.325	8.26	0.000	0.00	0.230	5.84	POLY BAGS	NOTE 7	NO	



FCIconnect.com

Copyright FCI

mat'l. code SEE NOTES 2 & 3		surface ISO 1302 ✓		tolerance ISO 406 ISO 1101		projection 		product family BERGSTIK	
ltr	ecn	no	dr	date	tolerances unless otherwise specified				
CP					angles	linear	.xx±.01/0.3	INCH/MM	
					0°±2'		.xxx±.005/0.13	scale 1:1	
					dr	T.BREWBAKER	01/05/95	title BERGSTIK® II HEADER	
					enr	T.HANNA	01/05/95	.100/2.54cc SR STRAIGHT	
					chr	J.MURPHY	01/05/95	dwg no 68000 sheet 7 of 8 size A3	
					appd	T.HANNA	01/05/95	type Product Customer Drawing	
sheet index	revision sheet								

PRODUCT NUMBER	TOTAL PIN LGTH		TAIL LENGTH		MATING LENGTH		PACKAGING	NOTES	BERGSTRIPTM AVAILABLE	LF OPTION
	DIM F	DIM F	DIM G	DIM G	DIM H	DIM H				
	ENGLISH	METRIC	ENGLISH	METRIC	ENGLISH	METRIC				
90522-YYY	0.668	16.97	0.135	3.43	0.433	11.00	POLY BAGS	NOTE 10	NO	NOTE 1,12
90547-YYY	0.508	12.90	0.095	2.41	0.313	7.95	POLY BAGS	NOTE 10	NO	
90719-YYY	0.384	9.75	0.106	2.69	0.178	4.52	POLY BAGS	-	NO	
90726-YYY	0.440	11.18	0.110	2.79	0.230	5.84	POLY BAGS	-	YES	
91276-YYY	1.225	31.12	0.225	5.72	0.900	22.86	POLY BAGS	-	NO	
92020-YYY	0.372	9.45	0.094	2.39	0.178	4.52	POLY BAGS	-	NO	
92418-YYY	0.572	14.53	0.118	3.00	0.354	8.99	POLY BAGS	-	NO	
93167-YYY	0.394	10.01	0.059	1.50	0.235	5.97	POLY BAGS	-	NO	
93287-XXYH	0.585	14.86	0.085	2.16	0.400	10.16	POLY BAGS	-	NO	
93944-YYY	0.941	23.90	0.130	3.30	0.711	18.06	POLY BAGS	-	NO	
93992-XXYH	0.415	10.54	0.085	2.16	0.230	5.84	POLY BAGS	-	NO	
94063-YYY	0.376	9.55	0.138	3.51	0.138	3.51	POLY BAGS	NOTE 10	NO	
94094-YYY	0.592	15.04	0.314	7.98	0.178	4.52	POLY BAGS	-	NO	
94544-YYY	0.550	13.97	0.130	3.30	0.330	8.38	POLY BAGS	NOTE 10	NO	
94611-XXYH	0.320	8.13	0.095	2.41	0.125	3.18	POLY BAGS	-	NO	
95017-XXYH	0.560	14.22	0.060	1.52	0.400	10.16	POLY BAGS	-	NO	
95103-YYY	1.064	27.03	0.433	11.00	0.531	13.49	POLY BAGS	NOTE 10	NO	
95104-YYY	0.370	9.40	0.126	3.20	0.144	3.66	POLY BAGS	NOTE 10	NO	
95648-XXYH	0.655	16.64	0.155	3.94	0.400	10.16	POLY BAGS	-	NO	
95655-YYY	1.164	29.57	0.095	2.41	0.969	24.61	POLY BAGS	NOTE 10	NO	
98001-XXYH	0.610	15.49	0.420	10.67	0.090	2.29	POLY BAGS	-	NO	
98136-XXYH	0.475	12.07	0.095	2.41	0.280	7.11	POLY BAGS	-	NO	
10004394-XXYH	0.290	7.37	0.095	2.41	0.095	2.41	POLY BAGS	-	NO	
10076764-XXYH	0.379	9.65	0.114	2.9	0.265	6.75	POLY BAGS	-	YES	



Copyright FCJ

mat'l. code SEE NOTES 2 & 3		surface ISO 1302 ✓		tolerance ISO 406 ISO 1101		projection INCH/MM		product family BERGSTIK	
ltr	ecn	no	dr	date		tolerances unless otherwise specified		title	
CP						angles	linear	BERGSTIK® II HEADER	
						0°±2'	.xx±.01/0.3 .xxx±.005/0.13 .xxxx±.0020/0.051	100/2.54cc SR STRAIGHT	
						dr	T.BREWBAKER	01/05/95	dwg no
						enr	T.HANNA	01/05/95	sheet 8 of 8
						chr	J.MURPHY	01/05/95	size
						appd	T.HANNA	01/05/95	A3
sheet index	revision sheet								type Product Customer Drawing