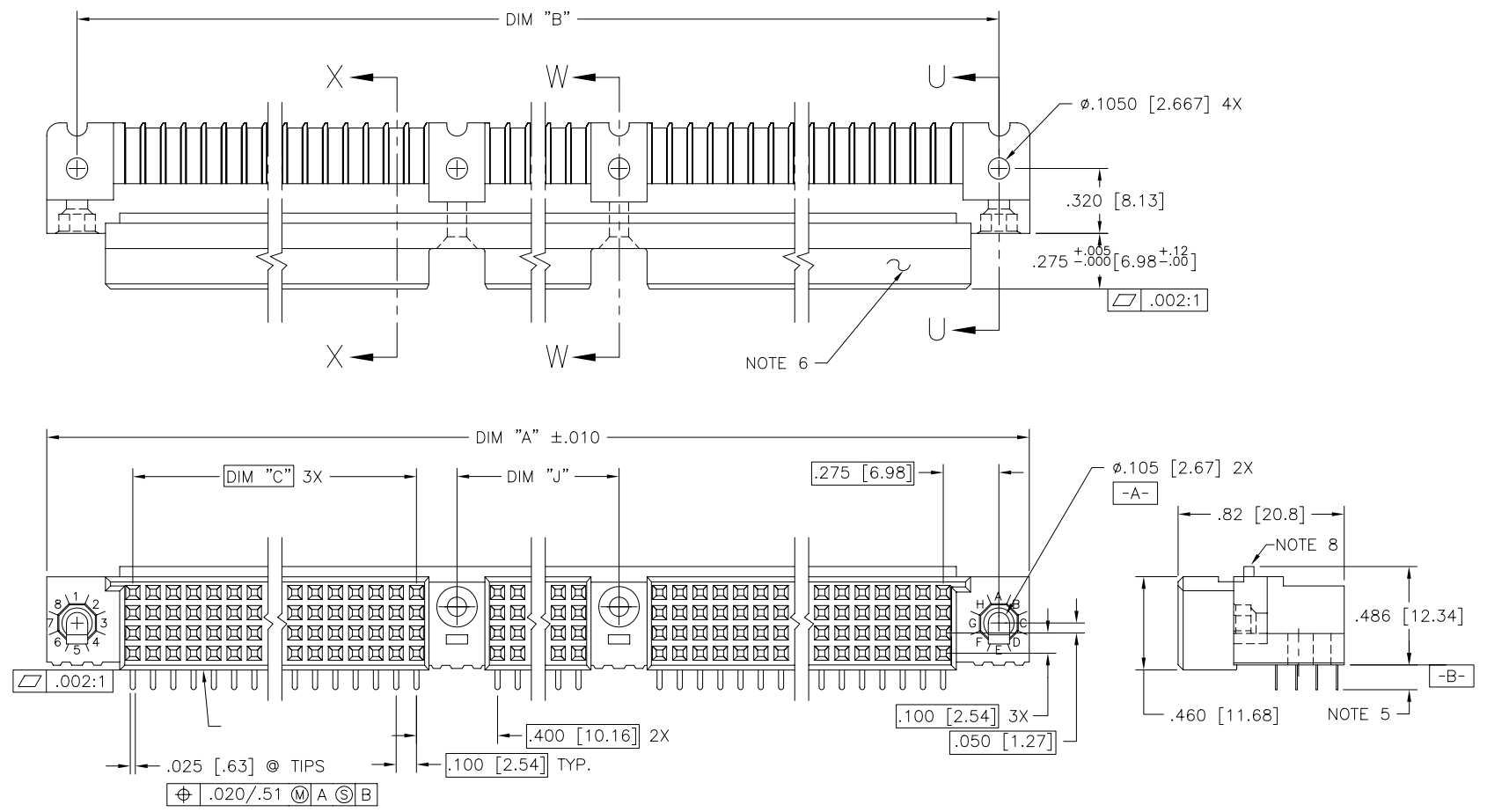
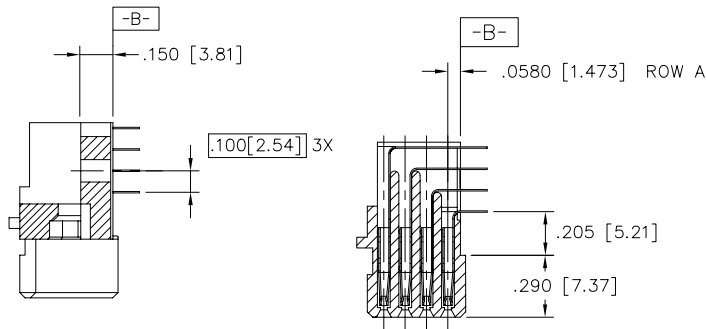


PRODUCT NUMBER
SEE NOTE 1



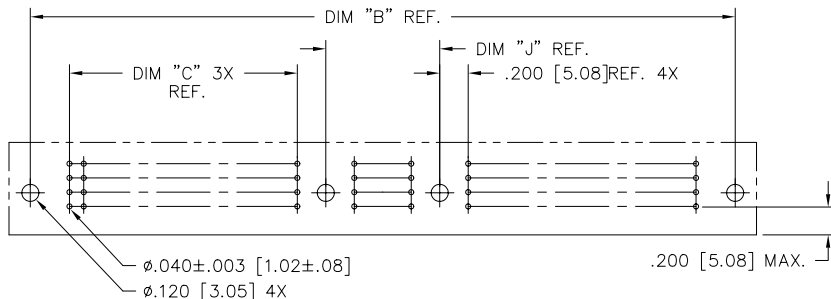
mat'l. code NOTE 3		surface ISO 1302 ✓		tolerance ISO 406 ISO 1101		projection INCH/MM		product family HPC	
ltr		ecn no		dr		date		title	
B	v31941	PDP	11/10/93	tolerances unless otherwise specified		.xx ±.01/.3		4 ROW R/A RECETACLE	
C	v40749	PDP	4/15/94	angles	linear	.xxx ±.005/.13		GENERIC MOUNT, S.T.B., 2 G.P.	
D	v41511	GAH	10/13/94	σ±2'		.xxxx ±.0020/.051		scale 1:1	
E	v90161	HTB	2/22/99	dr	S. SHEAFFER	8/27/92		dwg no	
F	v00257	JWS	1/21/00	engr	S. CLARK	9/30/92		sheet 1 of 2 size	
G	v20646	MEM	5/24/02	chr	S. CLARK	9/30/92		50578 A3	
H	M06-0261	MNR	7/10/06	appd	S. CLARK	9/30/92		type Product Customer Drawing	
sheet index	revision	H	H						
sheet	sheet	1	2						

PRODUCT NUMBER	DIM.	LENGTH FORMULAS
SEE NOTE 1	DIM A	.100/2.54 X NO. OF COLUMNS + 1.35/34.3
	DIM B	.100/2.54 X NO. OF COLUMNS + 1.050/26.67
	DIM C	.100/2.54 X NO. OF COLUMNS DIVIDED BY 3 - .100/2.54
	DIM J	.100/2.54 X NO. OF COLUMNS DIVIDED BY 3 + .300/7.62

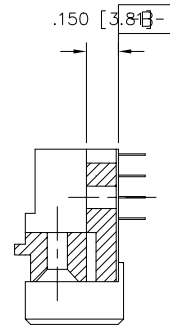


SECTION U-U

SECTION X-X



RECOMMENDED PCB LAYOUT
(ALL HOLES LOCATED ON .100 [2.54] GRID UNLESS OTHERWISE SPECIFIED)



SECTION W-W

- NOTES:
- PRODUCT NUMBERING CODE:
50578 - X YYY Z
 - X = TAIL LENGTH (NOTE 5)
 - YYY = NO. OF POSITIONS (NOTE 2)
 - Z = PLATING (NOTE 4)
 - BASE NUMBER
 - THIS PRODUCT IS CONFIGURED IN SIZES OF 30 THRU 150 COLUMNS IN INCREMENTS OF THREE. i.e.: 30,33,36,39.....147,150.
 - HOUSING MATERIAL: GLASS AND MINERAL FILLED HIGH TEMP. THERMOPLASTIC. FLAME RETARDANT PER UL94V-0. COLOR: BLACK. CONTACT MATERIAL: BeCu
 - PLATING CONTACT AREA OPTIONS:
 1 = 30u"/.76u GOLD
 3 = 50u"/1.27u GOLD
 5 = 30u"/.76u GXT
 ALL SOLDER TAILS TIN/LEAD
 - TAIL LENGTH OPTIONS:
 E = .125±.010 / 3.18±.25
 F = .145±.010 / 3.68±.25
 H = .180±.010 / 4.57±.25
 - MANUFACTURE'S NAME, PART NUMBER AND LOT CODE TO APPEAR ON THIS SURFACE PER BUS-12-108.
 - FOR DOCUMENTATION MENU, SEE BUS-01-057.
 - P/N 50578-1492F ASSEMBLY WILL NOT CONTAIN THE .050/1.27 SQUARE RIB AS SHOWN.
NOTE: THIS P/N WAS RELEASED AS -XX001, BUT ORIGINAL STD. P/N -1492F IS NOW BEING USED.

mat'l. code		surface ISO 1302 ✓		tolerance ISO 406 ISO 1101		projection ⊕		product family HPC	
ltr		ecn no		dr		date		title	
H								4 ROW R/A RECETACLE GENERIC MOUNT, S.T.B., 2 G.P.	
								dwg no 50578	
								sheet 2 of 2 size A3	
								type Product Customer Drawing	
sheet index		revision sheet							