

6 Ω On-Resistance, +12 V, ± 5 V, +5 V, +3 V, SPST and SPDT Switches

DESCRIPTION

DG417LE, DG418LE, DG419LE analog switches are designed to operate from +3 V to +16 V single supply or ± 3 V to ± 8 V dual supply and are fully specified at +12 V, ± 5 V, +5 V, and +3 V.

The DG417LE, DG418LE, DG419LE are lower voltage pin-for-pin compatible companion devices to the industry standard DG417, DG418, and DG419. Each switch conducts equally well in both directions when on, blocks input voltages up to the supply level when off, and exhibits break before switching action.

Fabricated with advanced CMOS technology, the parts provide low on resistance and fast switching speed with low power dissipation.

The DG417LE, DG418LE, DG419LE operating temperature range is -40 °C to +85 °C and devices are available in 8 lead TSSOP and SOIC packages.

FEATURES

- +3 V to +16 V single supply, or ± 3 V to ± 8 V dual supply
- On resistance: 6 Ω for DG417LE, DG418LE
11 Ω for DG419LE
- Fast switching speeds: $t_{ON} = 20$ ns, $t_{OFF} = 15$ ns
- Break-before-make switching for DG419LE
- Fully specified at +12 V, ± 5 V, +5 V, and +3 V
- V+ to V- analog signal range
- CMOS / TTL compatible
- Control logic input can be over V+
- 8 pin TSSOP and 8 pin SOIC packages
- Material categorization: for definitions of compliance please see www.vishay.com/doc?99912



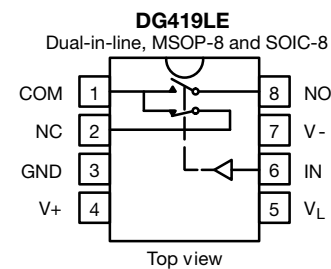
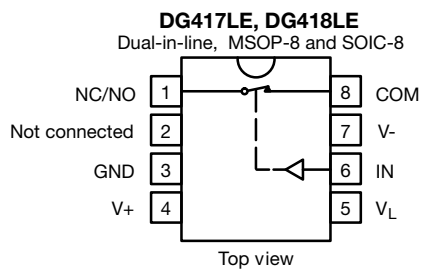
Note

* This datasheet provides information about parts that are RoHS-compliant and / or parts that are non RoHS-compliant. For example, parts with lead (Pb) terminations are not RoHS-compliant. Please see the information / tables in this datasheet for details

APPLICATIONS

- Data acquisition systems
- Medical instruments
- Precision instruments
- Communications systems
- Automated test equipment
- Sample and hold circuit
- Audio and video signal routing

FUNCTIONAL BLOCK DIAGRAM AND PIN CONFIGURATION



| TRUTH TABLE (DG417LE, DG418LE) | | |
|--------------------------------|---------|---------|
| LOGIC | DG417LE | DG418LE |
| 0 | On | Off |
| 1 | Off | On |

| TRUTH TABLE (DG419LE) | | |
|-----------------------|-----|-----|
| LOGIC | NC | NO |
| 0 | On | Off |
| 1 | Off | On |

| ORDERING INFORMATION (DG417LE, DG418LE) | | |
|---|-------------------|------------------|
| TEMP. RANGE | PACKAGE | PART NUMBER |
| -40 °C to +85 °C | 8-pin narrow SOIC | DG417LEDY-T1-GE4 |
| | | DG418LEDY-T1-GE4 |
| | 8-pin MSOP | DG417LEDQ-T1-GE3 |
| | | DG418LEDQ-T1-GE3 |

| ORDERING INFORMATION (DG419LE) | | |
|--------------------------------|-------------------|------------------|
| TEMP. RANGE | PACKAGE | PART NUMBER |
| -40 °C to +85 °C | 8-pin narrow SOIC | DG419LEDY-T1-GE4 |
| | 8-pin MSOP | DG419LEDQ-T1-GE3 |



| ABSOLUTE MAXIMUM RATINGS | | | |
|---|-------------------------|--|------|
| PARAMETER | | LIMIT | UNIT |
| V+, V _L , I _N reference to V- | | -0.3 to 18 | V |
| V+ reference to GND | | -0.3 to 18 | |
| GND reference to V- | | -0.3 to 18 | |
| COM, NC, NO reference to V- ^a | | -0.3 to (V+ + 0.3) or 30 mA, whichever occurs first | |
| Continuous current (any terminal) | | 30 | mA |
| Peak current, S or D (pulsed 1 ms, 10 % duty cycle) | | 100 | |
| Storage temperature | (DQ, DY suffix) | -65 to +150 | °C |
| Power dissipation (packages) ^b | 8-pin MSOP ^c | 320 | mW |
| | 8-pin SOIC ^c | 400 | |
| ESD / HBM | JS-001 | 2000 | V |
| ESD / CDM | JS-002 | 2000 | |
| Latch up | JESD78 | 300 | mA |

Notes

- a. Signals on NC, NO, or COM exceeding V+ or V- will be clamped by internal diodes. Limit forward diode current to maximum current ratings
- b. All leads welded or soldered to PC board
- c. Derate 6.5 mW/°C above 25 °C

Stresses beyond those listed under "Absolute Maximum Ratings" may cause permanent damage to the device. These are stress ratings only, and functional operation of the device at these or any other conditions beyond those indicated in the operational sections of the specifications is not implied. Exposure to absolute maximum rating conditions for extended periods may affect device reliability.



| SPECIFICATIONS (Single supply 12 V) | | | | | | | |
|---|--|---|--------------------|-------------------|-------------------------------------|-------------------|------|
| PARAMETER | SYMBOL | TEST CONDITIONS UNLESS OTHERWISE SPECIFIED V ₊ = 12 V, V ₋ = 0 V V _L = 5 V, V _{IN} = 2.4 V, 0.8 V ^f | TEMP. ^b | TYP. ^c | D SUFFIX LIMITS -40 °C to +85 °C | | UNIT |
| | | | | | MIN. ^d | MAX. ^d | |
| Analog Switch | | | | | | | |
| Analog signal range ^e | V _{ANALOG} | | Full | - | 0 | 12 | V |
| Drain-source on-resistance | R _{DSON} | V ₊ = 10.8 V, V ₋ = 0 V I _{NO} , I _{NC} = 5 mA, V _{COM} = 2 V / 9 V, DG417LE, DG418LE only | Room | 6 | - | 7 | Ω |
| | | | Full | - | - | 9 | |
| | | V ₊ = 10.8 V, V ₋ = 0 V I _{NO} , I _{NC} = 5 mA, V _{COM} = 2 V / 9 V, DG419LE only | Room | 11 | - | 14 | |
| | | | Full | - | - | 18 | |
| Switch off leakage current | I _{NO(off)} I _{NC(off)} | V _{COM} = 1 V / 11 V V _{NO} , V _{NC} = 11 V / 1 V | Room | ± 0.002 | -2 | 2 | nA |
| | | | Full | - | -10 | 10 | |
| | I _{COM(off)} | | Room | ± 0.003 | -2 | 2 | |
| | | | Full | - | -10 | 10 | |
| Switch on leakage current | I _{COM(on)} | V _{NO} , V _{NC} = V _{COM} = 11 V / 1 V | Room | ± 0.006 | -2 | 2 | |
| | | | Full | - | -10 | 10 | |
| Digital Control | | | | | | | |
| Input current | I _{INL} or I _{INH} | | Full | 0.02 | -1 | 1 | μA |
| Dynamic Characteristics | | | | | | | |
| Turn-on time | t _{ON} | R _L = 300 Ω, C _L = 35 pF V _{NO} , V _{NC} = 5 V | Room | 20 | - | 38 | ns |
| | | | Full | - | - | 40 | |
| Turn-off time | t _{OFF} | | Room | 15 | - | 32 | |
| | | | Full | - | - | 35 | |
| Break-before-make time | t _{BBM} | DG419LE only, V _{NC} , V _{NO} = 5 V R _L = 300 Ω, C _L = 35 pF | Room | 7 | - | - | |
| Charge injection ^e | Q _{INJ} | V _{GEN} = 0 V, R _{GEN} = 0 Ω, C _L = 1 nF | Room | 26 | - | - | pC |
| Off-isolation ^e | OIRR | R _L = 50 Ω, C _L = 5 pF, f = 1 MHz | Room | -68 | - | - | dB |
| Channel-to-channel crosstalk ^e | X _{TALK} | | Room | -72 | - | - | |
| Source off capacitance ^e | C _{NO(off)} C _{NC(off)} | V _{IN} = 0 V or V ₊ , f = 1 MHz, DG417LE, DG418LE only | Room | 11 | - | - | pF |
| Drain-on capacitance ^e | C _{ON} | | Room | 32 | - | - | |
| Source off capacitance ^e | C _{NO(off)} C _{NC(off)} | V _{IN} = 0 V or V ₊ , f = 1 MHz, DG419LE only | Room | 6 | - | - | |
| Drain-on capacitance ^e | C _{ON} | | Room | 20 | - | - | |
| Power Supplies | | | | | | | |
| Positive supply current | I ₊ | V _{IN} = 0 V or V _L | Room | 0.00009 | - | 1 | μA |
| | | | Full | - | - | 5 | |
| Negative supply current | I ₋ | | Room | -0.00009 | -1 | - | |
| | | | Full | - | -5 | - | |
| Logic supply current | I _L | | Room | 0.00002 | - | 1 | |
| | | | Full | - | - | 5 | |
| Ground current | I _{GND} | | Room | -0.00002 | -1 | - | |
| | | | Full | - | -5 | - | |



| SPECIFICATIONS (Dual supply ± 5 V) | | | | | | | |
|---|--------------------------------|---|--------------------|-------------------|-------------------------------------|-------------------|----------|
| PARAMETER | SYMBOL | TEST CONDITIONS UNLESS OTHERWISE SPECIFIED $V_+ = 5$ V, $V_- = -5$ V $V_L = 5$ V, $V_{IN} = 2.4$ V, 0.8 V ^f | TEMP. ^b | TYP. ^c | D SUFFIX LIMITS -40 °C to +85 °C | | UNIT |
| | | | | | MIN. ^d | MAX. ^d | |
| Analog Switch | | | | | | | |
| Analog signal range ^e | V_{ANALOG} | | Full | - | -5 | 5 | V |
| Drain-source on-resistance | $R_{DS(on)}$ | $V_+ = 5$ V, $V_- = -5$ V $I_{NO}, I_{NC} = 5$ mA, $V_{COM} = \pm 3.5$ V DG417LE / DG418LE only | Room | 6 | - | 8 | Ω |
| | | | Full | - | - | 10 | |
| | | $V_+ = 5$ V, $V_- = -5$ V $I_{NO}, I_{NC} = 5$ mA, $V_{COM} = \pm 3.5$ V DG419LE only | Room | 12 | - | 15 | |
| | | | Full | - | - | 21 | |
| Switch off leakage current ^a | $I_{NO(off)}$ $I_{NC(off)}$ | $V_+ = 5.5$ V, $V_- = -5.5$ V $V_{COM} = \pm 4.5$ V $V_{NO}, V_{NC} = \pm 4.5$ V | Room | ± 0.001 | -2 | 2 | nA |
| | | | Full | - | -10 | 10 | |
| | $I_{COM(off)}$ | | Room | ± 0.002 | -2 | 2 | |
| | | | Full | - | -10 | 10 | |
| Channel on leakage current ^a | $I_{COM(on)}$ | $V_+ = 5.5$ V, $V_- = -5.5$ V $V_{NO}, V_{NC} = V_{COM} = \pm 4.5$ V | Room | ± 0.003 | -2 | 2 | |
| | | | Full | - | -10 | 10 | |
| Digital Control | | | | | | | |
| Input current ^a | I_{INL} or I_{INH} | | Full | 0.02 | -1 | 1 | μ A |
| Dynamic Characteristics | | | | | | | |
| Turn-on time ^e | t_{ON} | $R_L = 300$ Ω , $C_L = 35$ pF $V_{NO}, V_{NC} = \pm 3.5$ V | Room | 21 | - | 38 | ns |
| | | | Full | - | - | 40 | |
| Turn-off time ^e | t_{OFF} | | Room | 20 | - | 45 | |
| | | | Full | - | - | 50 | |
| Break-before-make time ^e | t_{BBM} | DG419LE only, $V_{NO}, V_{NC} = 3.5$ V $R_L = 300$ Ω , $C_L = 35$ pF | Room | 7 | - | - | |
| Transition time | t_{TRANS} | $R_L = 300$ Ω , $C_L = 35$ pF $V_{S1} = \pm 3.5$ V, $V_{S2} = \pm 3.5$ V | Room | 21 | - | - | |
| Charge injection ^e | Q_{INJ} | $V_{GEN} = 0$ V, $R_{GEN} = 0$ Ω , $C_L = 1$ nF | Room | -17 | - | - | pC |
| Off-isolation ^e | OIRR | $R_L = 50$ Ω , $C_L = 5$ pF, $f = 1$ MHz | Room | -69 | - | - | dB |
| Channel-to-channel crosstalk ^e | X_{TALK} | | Room | -73 | - | - | |
| Source off capacitance ^e | $C_{NO(off)}$ $C_{NC(off)}$ | $V_{IN} = 0$ V or V_+ , $f = 1$ MHz DG417LE / DG418LE only | Room | 11 | - | - | pF |
| Drain-on capacitance ^e | C_{ON} | | Room | 33 | - | - | |
| Source off capacitance ^e | $C_{NO(off)}$ $C_{NC(off)}$ | $V_{IN} = 0$ V or V_+ , $f = 1$ MHz DG419LE only | Room | 6 | - | - | |
| Drain-on capacitance ^e | C_{ON} | | Room | 20 | - | - | |
| Power Supplies | | | | | | | |
| Positive supply current ^e | I_+ | $V_{IN} = 0$ V or V_L | Room | 0.00007 | - | 1 | μ A |
| | | | Full | - | - | 5 | |
| Negative supply current ^e | I_- | | Room | -0.00009 | -1 | - | |
| | | | Full | - | -5 | - | |
| Logic supply current ^e | I_L | | Room | 0.00002 | - | 1 | |
| | | | Full | - | - | 5 | |
| Ground current ^e | I_{GND} | | Room | -0.00003 | -1 | - | |
| | | | Full | - | -5 | - | |



| SPECIFICATIONS (Single supply 5 V) | | | | | | | |
|---|--|--|--------------------|-------------------|-------------------------------------|-------------------|------|
| PARAMETER | SYMBOL | TEST CONDITIONS UNLESS OTHERWISE SPECIFIED V+ = 5 V, V- = 0 V V _L = 5 V, V _{IN} = 2.4 V, 0.8 V ^f | TEMP. ^b | TYP. ^c | D SUFFIX LIMITS -40 °C to +85 °C | | UNIT |
| | | | | | MIN. ^d | MAX. ^d | |
| Analog Switch | | | | | | | |
| Analog signal range ^e | V _{ANALOG} | | Full | - | 0 | 5 | V |
| Drain-source on-resistance ^e | R _{DS(on)} | V+ = 4.5 V, I _{NO} , I _{NC} = 5 mA V _{COM} = 1 V, 3.5 V DG417LE / DG418LE only | Room | 12 | - | 16 | Ω |
| | | | Full | - | - | 18 | |
| | | V+ = 4.5 V, I _{NO} , I _{NC} = 5 mA V _{COM} = 1 V, 3.5 V DG419LE only | Room | 24 | - | 35 | |
| | | | Full | - | - | 37 | |
| Switch off leakage current ^a | I _{NO(off)} I _{NC(off)} | V+ = 5.5 V, V- = 0 V V _{COM} = 1 V / 4.5 V V _{NO} , V _{NC} = 4.5 V / 1 V | Room | ± 0.002 | -1 | 1 | nA |
| | | | Full | - | -10 | 10 | |
| | I _{COM(off)} | | Room | ± 0.001 | -1 | 1 | |
| | | | Full | - | -10 | 10 | |
| Switch on leakage current ^a | I _{COM(on)} | V+ = 5.5 V, V- = 0 V V _{NO} , V _{NC} = V _{COM} = 1 V / 4.5 V | Room | ± 0.003 | -1 | 1 | |
| | | | Full | - | -10 | 10 | |
| Digital Control | | | | | | | |
| Input current ^a | I _{INL} or I _{INH} | | Full | 0.02 | -1 | 1 | μA |
| Dynamic Characteristics | | | | | | | |
| Turn-on time ^e | t _{ON} | R _L = 300 Ω, C _L = 35 pF V _{NO} , V _{NC} = 3.5 V | Room | 29 | - | 46 | ns |
| | | | Full | - | - | 49 | |
| Turn-off time ^e | t _{OFF} | | Room | 16 | - | 28 | |
| | | | Full | - | - | 32 | |
| Break-before-make time ^e | t _{BBM} | DG419LE only, V _{NO} , V _{NC} = 3.5 V R _L = 300 Ω, C _L = 35 pF | Room | 16 | - | - | |
| Charge injection ^e | Q _{INJ} | V _{GEN} = 0 V, R _{GEN} = 0 Ω, C _L = 1 nF | Room | 10 | - | - | pC |
| Off-isolation ^e | OIRR | R _L = 50 Ω, C _L = 5 pF, f = 1 MHz | Room | -68 | - | - | dB |
| Channel-to-channel crosstalk ^e | X _{TALK} | | Room | -72 | - | - | |
| Source off capacitance ^e | C _{NO(off)} C _{NC(off)} | V _{IN} = 0 V or V+, f = 1 MHz DG417LE / DG418LE only | Room | 13 | - | - | pF |
| Drain-on capacitance ^e | C _{ON} | | Room | 34 | - | - | |
| Source off capacitance ^e | C _{NO(off)} C _{NC(off)} | V _{IN} = 0 V or V+, f = 1 MHz DG419LE only | Room | 7 | - | - | |
| Drain-on capacitance ^e | C _{ON} | | Room | 22 | - | - | |
| Power Supplies | | | | | | | |
| Positive supply current ^e | I+ | V _{IN} = 0 V or V _L | Room | 0.00006 | - | 1 | μA |
| | | | Full | - | - | 5 | |
| Negative supply current ^e | I- | | Room | -0.00006 | -1 | - | |
| | | | Full | - | -5 | - | |
| Logic supply current ^e | I _L | | Room | 0.00002 | - | 1 | |
| | | | Full | - | - | 5 | |
| Ground current ^e | I _{GND} | | Room | -0.00002 | -1 | - | |
| | | | Full | - | -5 | - | |



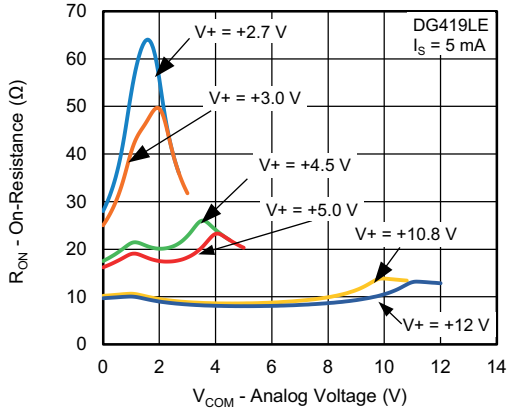
| SPECIFICATIONS (Single supply 3 V) | | | | | | | |
|---|--------------------------------|---|--------------------|-------------------|-------------------------------------|-------------------|---------------|
| PARAMETER | SYMBOL | TEST CONDITIONS UNLESS OTHERWISE SPECIFIED $V_+ = 3\text{ V}, V_- = 0\text{ V}$ $V_L = 3\text{ V}, V_{IN} = 2\text{ V}, 0.4\text{ V}^f$ | TEMP. ^b | TYP. ^c | D SUFFIX LIMITS -40 °C to +85 °C | | UNIT |
| | | | | | MIN. ^d | MAX. ^d | |
| Analog Switch | | | | | | | |
| Analog signal range ^e | V_{ANALOG} | | Full | - | 0 | 3 | V |
| Drain-source on-resistance | $R_{DS(on)}$ | $V_+ = 2.7\text{ V}, V_- = 0\text{ V}$ $I_{NO}, I_{NC} = 5\text{ mA}, V_{COM} = 0.5\text{ V}, 2.2\text{ V}$ DG417LE / DG418LE only | Room | 22 | - | 34 | Ω |
| | | | Full | - | - | 38 | |
| | | | Room | 43 | - | 68 | |
| | | | Full | - | - | 75 | |
| Switch off leakage current ^a | $I_{NO(off)}$ $I_{NC(off)}$ | $V_+ = 3.3\text{ V}, V_- = 0\text{ V}$ $V_{COM} = 1\text{ V}, 2\text{ V},$ $V_{NO}, V_{NC} = 2\text{ V}, 1\text{ V}$ | Room | ± 0.002 | -1 | 1 | nA |
| | | | Full | - | -10 | 10 | |
| | Room | | ± 0.001 | -1 | 1 | | |
| | Full | | - | -10 | 10 | | |
| Channel on leakage current ^a | $I_{COM(on)}$ | $V_+ = 3.3\text{ V}, V_- = 0\text{ V}$ $V_{NO}, V_{NC} = V_{COM} = 1\text{ V}, 2\text{ V}$ | Room | ± 0.002 | -1 | 1 | |
| | | | Full | - | -10 | 10 | |
| Digital Control | | | | | | | |
| Input current ^a | I_{INL} or I_{INH} | | Full | 0.02 | -1 | 1 | μA |
| Dynamic Characteristics | | | | | | | |
| Turn-on time | t_{ON} | $R_L = 300\ \Omega, C_L = 35\ \text{pF}$ $V_{NO}, V_{NC} = 1.5\text{ V}$ | Room | 59 | - | 77 | ns |
| | | | Full | - | - | 81 | |
| Turn-off time | t_{OFF} | | Room | 33 | - | 54 | |
| | | | Full | - | - | 69 | |
| Break-before-make time ^e | t_{BBM} | DG419LE only, $V_{NO}, V_{NC} = 1.5\text{ V}$ $R_L = 300\ \Omega, C_L = 35\ \text{pF}$ | Room | 31 | - | - | |
| Charge injection ^e | Q_{INJ} | $V_{GEN} = 0\text{ V}, R_{GEN} = 0\ \Omega, C_L = 10\ \text{nF}$ | Room | 6 | - | - | pC |
| Off-isolation ^e | OIRR | $R_L = 50\ \Omega, C_L = 5\ \text{pF}, f = 1\ \text{MHz}$ | Room | -68 | - | - | dB |
| Channel-to-channel crosstalk ^e | X_{TALK} | | Room | -71 | - | - | |
| Source off capacitance ^e | $C_{NO(off)}$ $C_{NC(off)}$ | $V_{IN} = 0\text{ V}$ or $V_+, f = 1\ \text{MHz}$ DG417LE / DG418LE only | Room | 14 | - | - | pF |
| Channel on capacitance ^e | $C_{D(on)}$ | | Room | 35 | - | - | |
| Source off capacitance ^e | $C_{NO(off)}$ $C_{NC(off)}$ | $V_{IN} = 0\text{ V}$ or $V_+, f = 1\ \text{MHz}$ DG419LE only | Room | 8 | - | - | |
| Channel on capacitance ^e | $C_{D(on)}$ | | Room | 23 | - | - | |
| Power Supplies | | | | | | | |
| Positive supply current ^e | I_+ | $V_{IN} = 0\text{ V}$ or V_L | Room | 0.00005 | - | 1 | μA |
| | | | Full | - | - | 5 | |
| Negative supply current ^e | I_- | | Room | -0.00007 | -1 | - | |
| | | | Full | - | -5 | - | |
| Logic supply current ^e | I_L | | Room | 0.00002 | - | 1 | |
| | | | Full | - | - | 5 | |
| Ground current ^e | I_{GND} | | Room | -0.00002 | -1 | - | |
| | | | Full | - | -5 | - | |

Notes

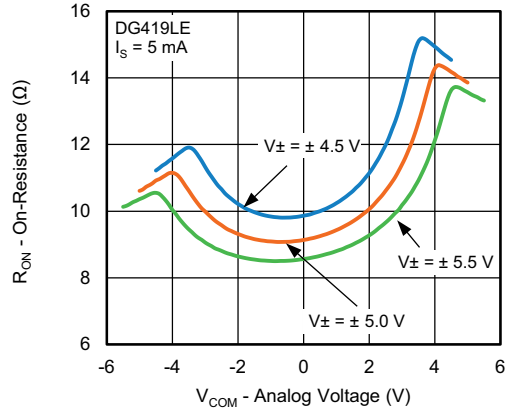
- a. Leakage parameters are guaranteed by worst case test condition and not subject to production test
- b. Room = 25 °C, full = as determined by the operating temperature suffix
- c. Typical values are for DESIGN AID ONLY, not guaranteed nor subject to production testing
- d. The algebraic convention whereby the most negative value is a minimum and the most positive a maximum, is used in this datasheet
- e. Guaranteed by design, not subject to production test
- f. V_{IN} = input voltage to perform proper function



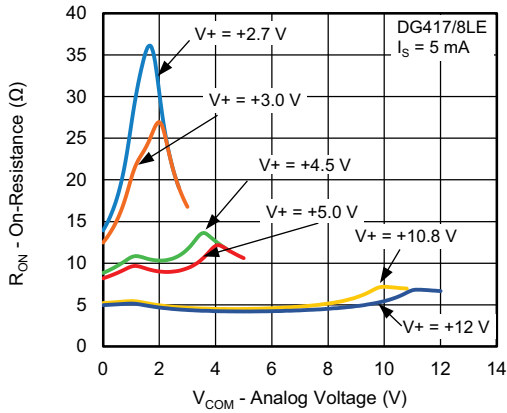
TYPICAL CHARACTERISTICS (25 °C, unless otherwise noted)



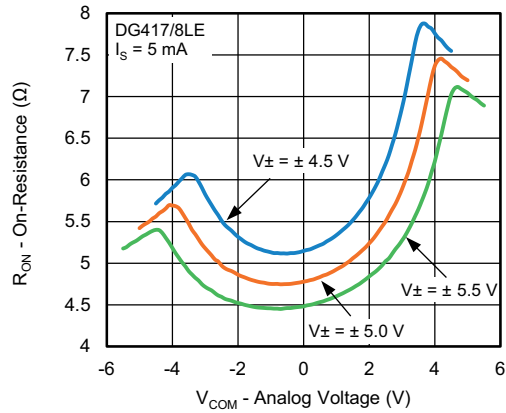
R_{DS(on)} vs. V_{COM} and Supply Voltage



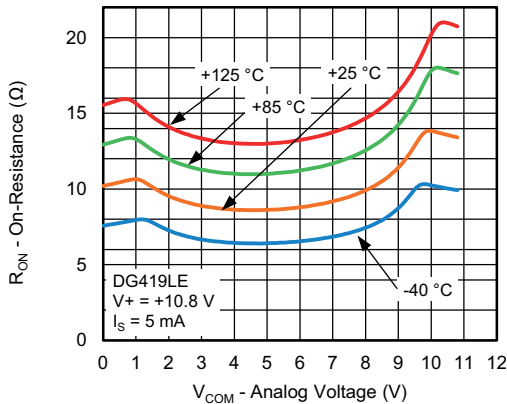
R_{DS(on)} vs. V_{COM} and Supply Voltage



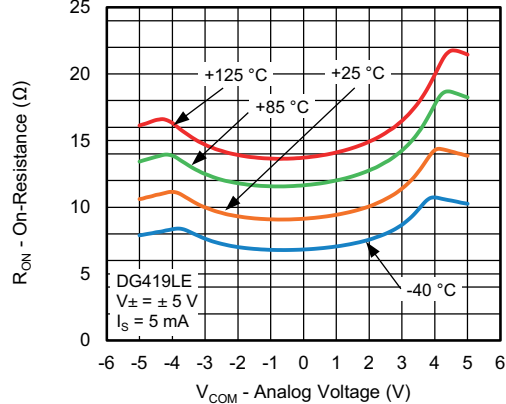
R_{DS(on)} vs. V_{COM} and Supply Voltage



R_{DS(on)} vs. V_{COM} and Supply Voltage



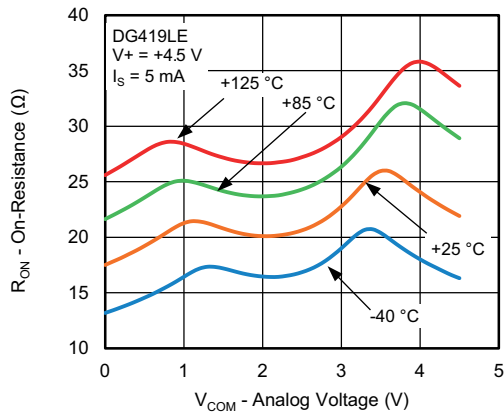
R_{DS(on)} vs. Analog Voltage and Temperature



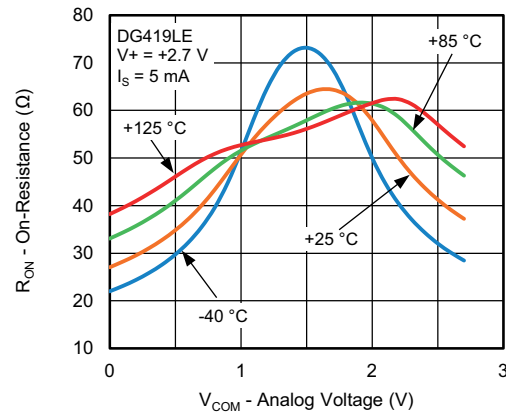
R_{DS(on)} vs. Analog Voltage and Temperature



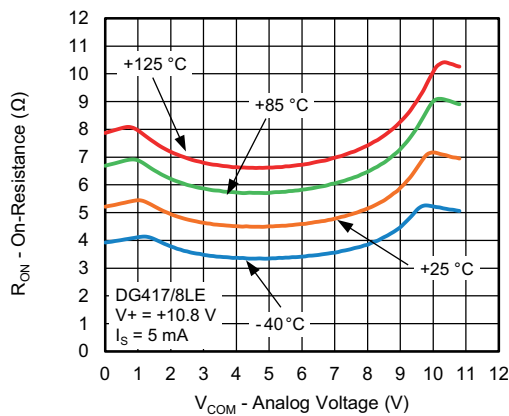
TYPICAL CHARACTERISTICS (25 °C, unless otherwise noted)



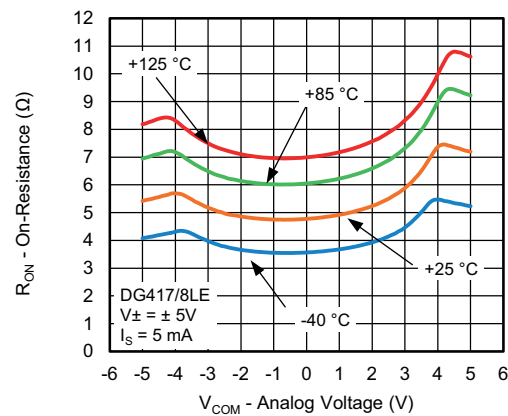
R_{DS(on)} vs. Analog Voltage and Temperature



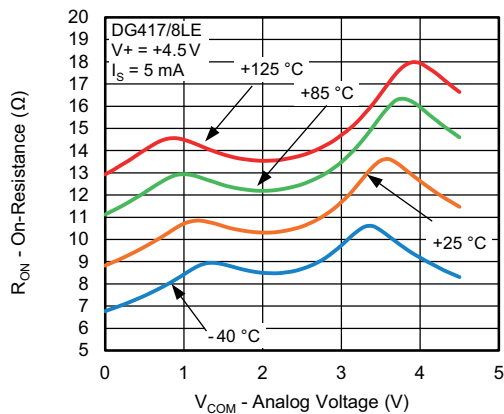
R_{DS(on)} vs. Analog Voltage and Temperature



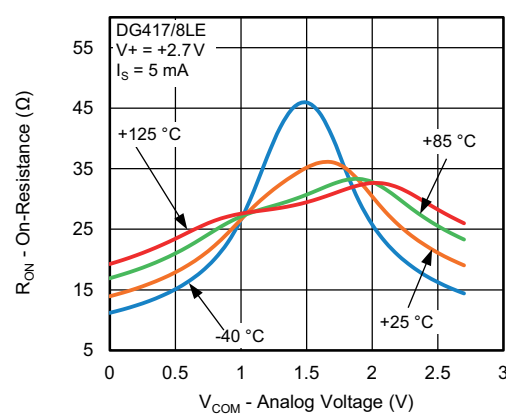
R_{DS(on)} vs. Analog Voltage and Temperature



R_{DS(on)} vs. Analog Voltage and Temperature



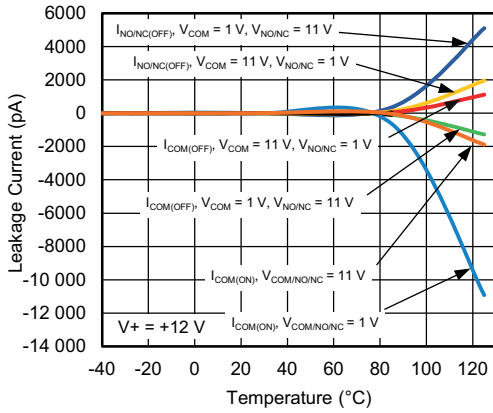
R_{DS(on)} vs. Analog Voltage and Temperature



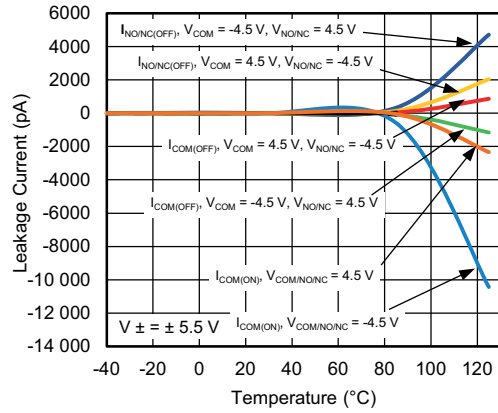
R_{DS(on)} vs. Analog Voltage and Temperature



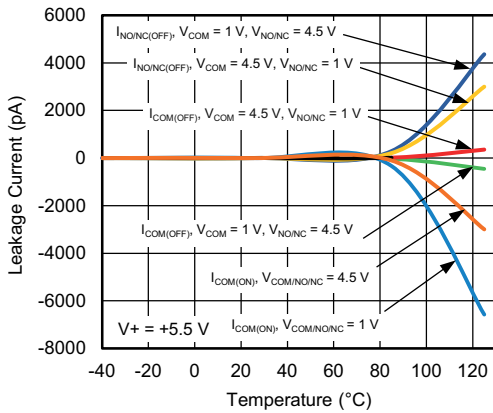
TYPICAL CHARACTERISTICS (25 °C, unless otherwise noted)



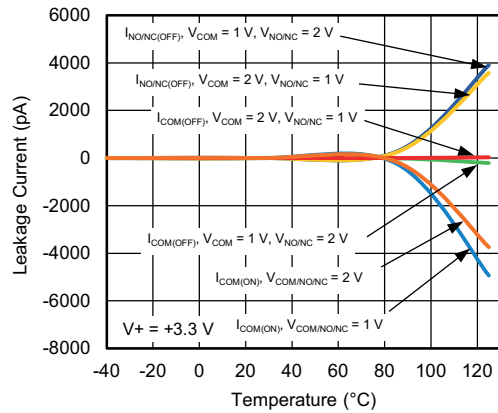
Leakage Current vs. Temperature



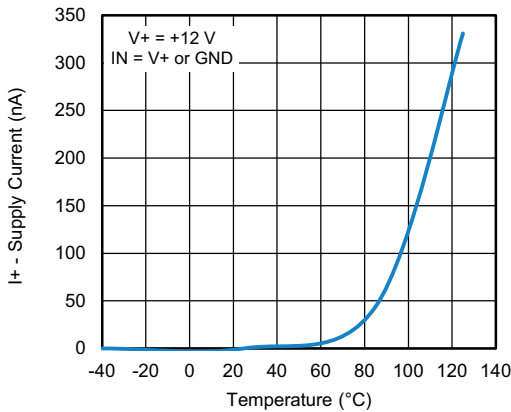
Leakage Current vs. Temperature



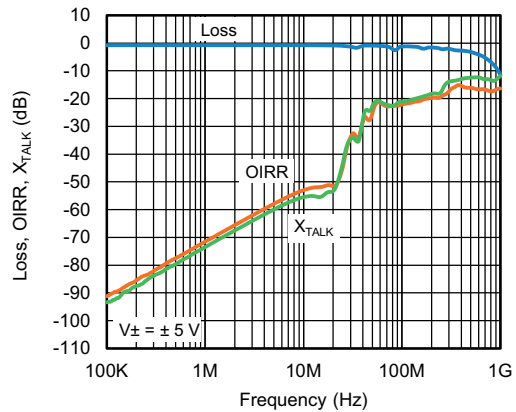
Leakage Current vs. Temperature



Leakage Current vs. Temperature



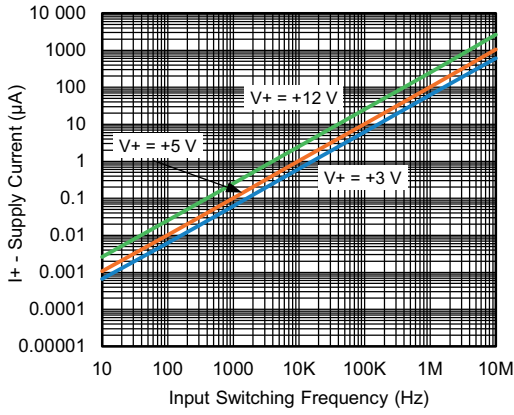
Supply Current vs. Temperature



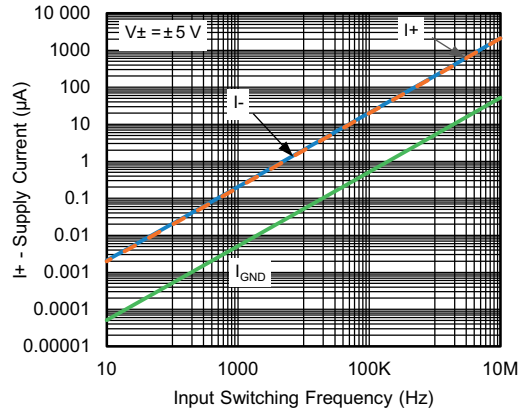
Insertion Loss, Off-Isolation Crosstalk vs. Frequency



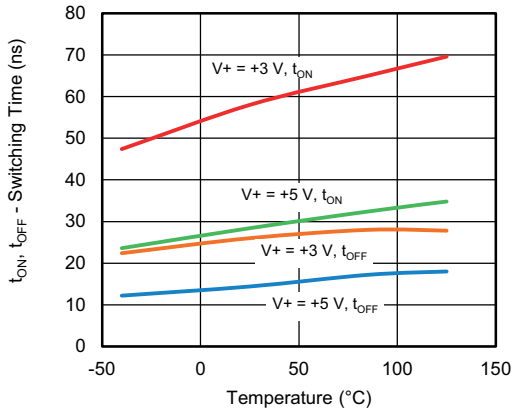
TYPICAL CHARACTERISTICS (25 °C, unless otherwise noted)



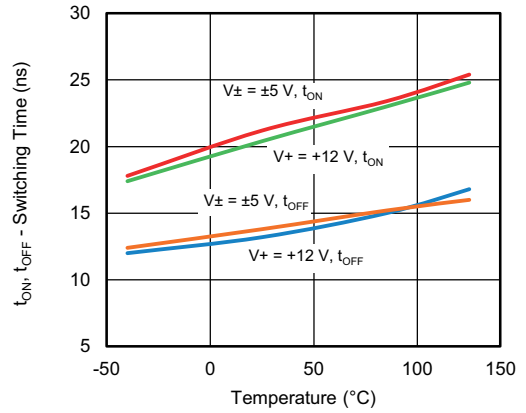
Supply Current vs. Input Switching Frequency



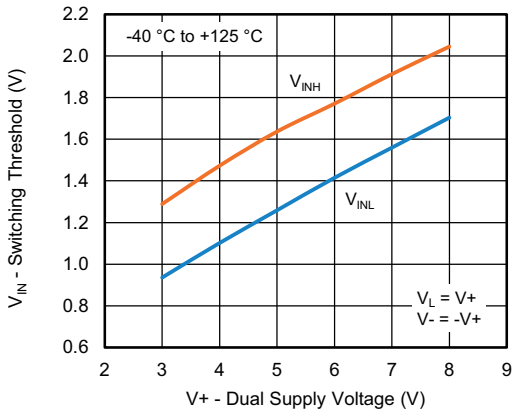
Supply Current vs. Input Switching Frequency



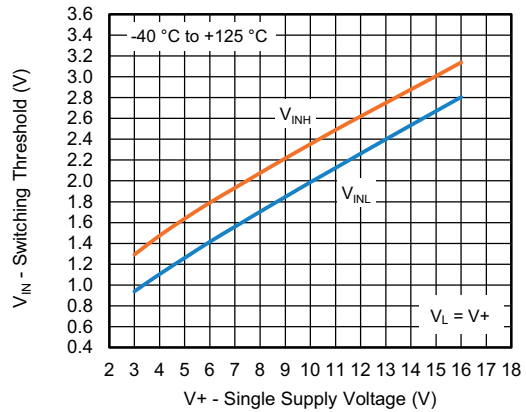
Switching Time vs. Temperature



Switching Time vs. Temperature



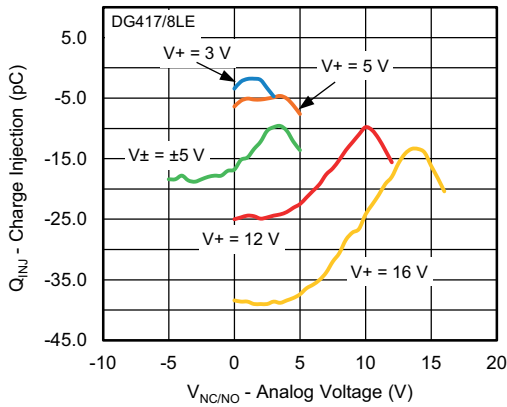
Switching Threshold vs. Dual Supply Voltage



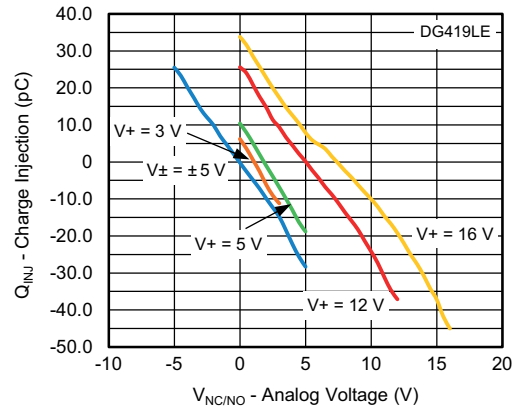
Switching Threshold vs. Single Supply Voltage



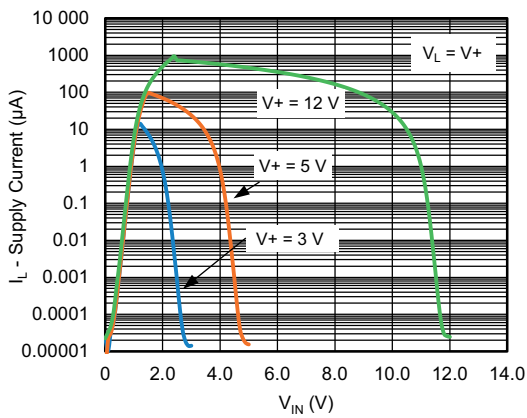
TYPICAL CHARACTERISTICS (25 °C, unless otherwise noted)



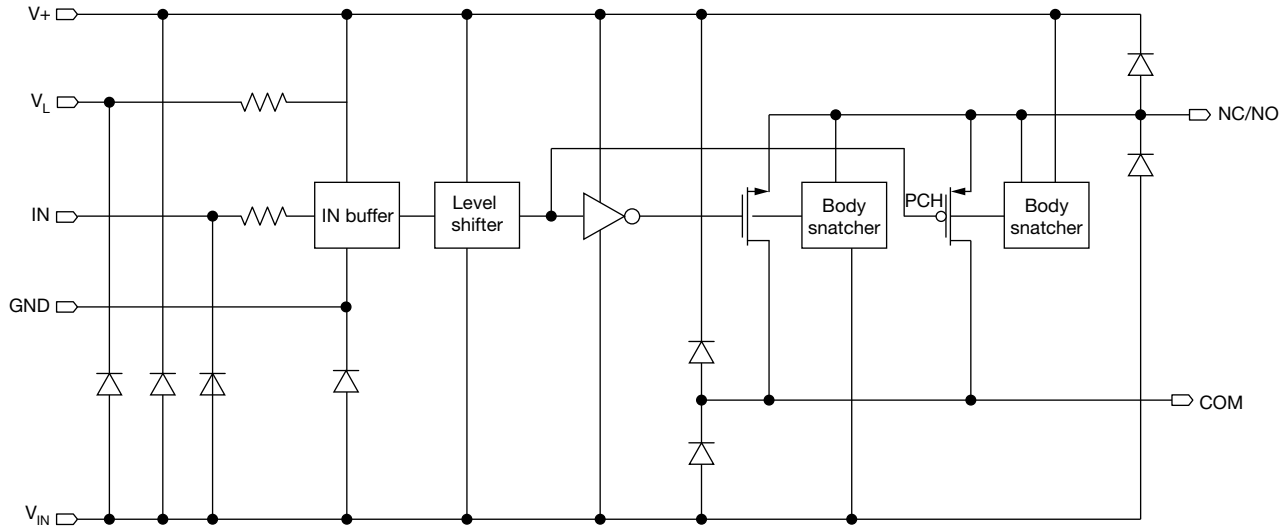
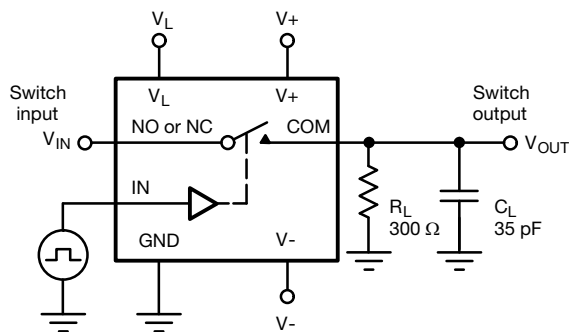
Charge Injection vs. Analog Voltage



Charge Injection vs. Analog Voltage

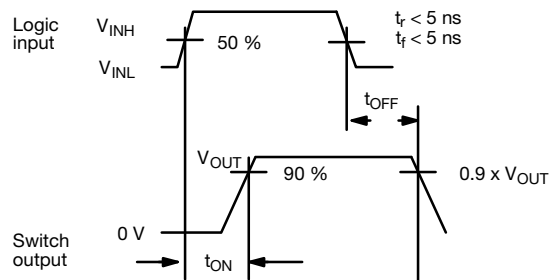


Supply Current vs. Enable Input Voltage

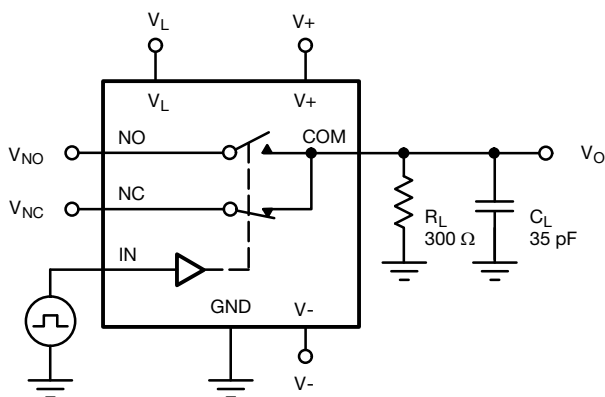
SCHEMATIC DIAGRAM (Typical channel)

TEST CIRCUITS


C_L (includes fixture and stray capacitance)

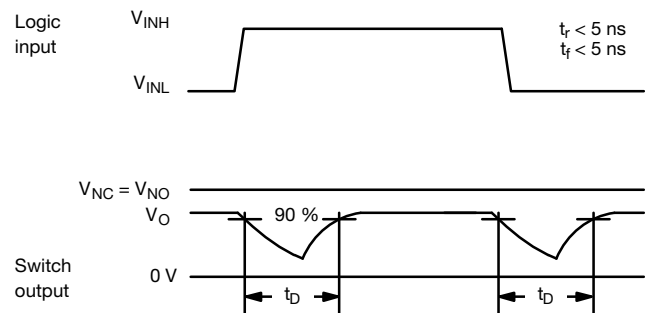
$$V_{OUT} = V_{IN} \frac{R_L}{R_L + R_{ON}}$$


Note

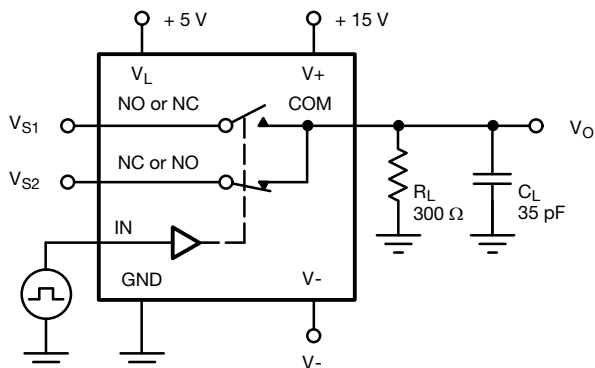
- Logic input waveform is inverted for switches that have the opposite logic sense control

Fig. 1 - Switching Time


C_L (includes fixture and stray capacitance)


Fig. 2 - Break-Before-Make (DG419LE)

TEST CIRCUITS



C_L (includes fixture and stray capacitance)

$$V_O = V_S \frac{R_L}{R_L + R_{ON}}$$

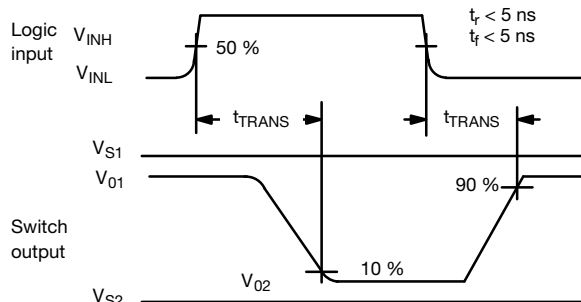
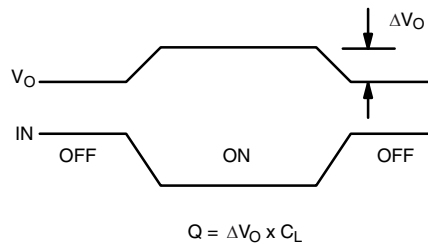
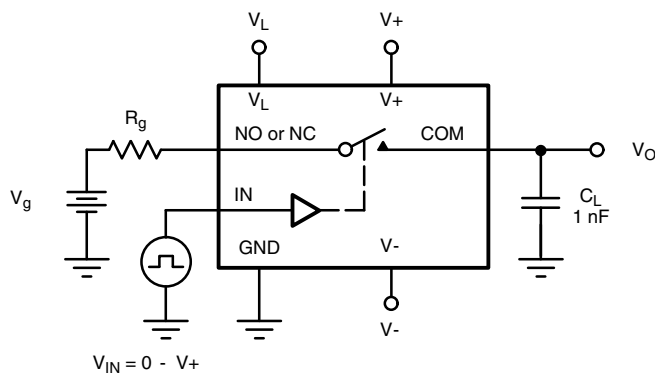
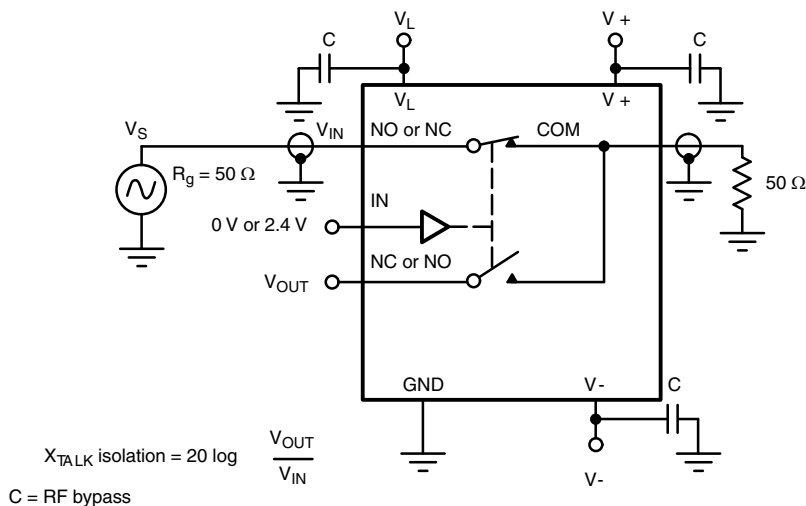


Fig. 3 - Transition Time (DG419LE)



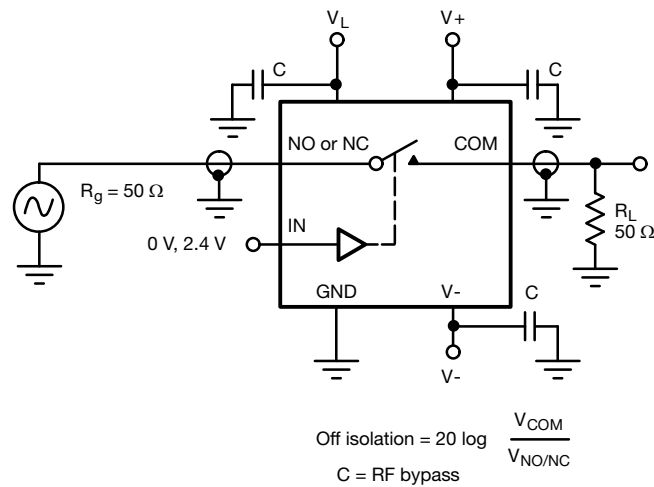
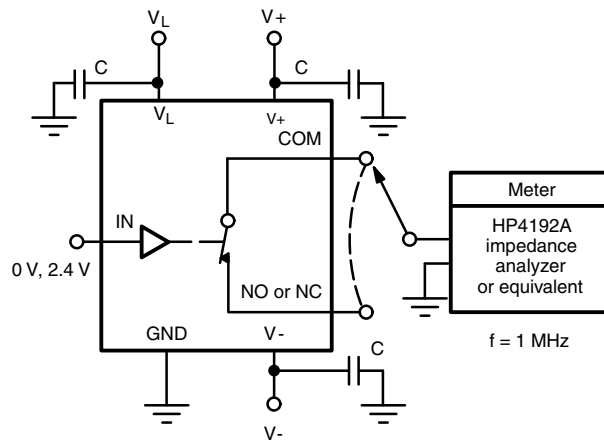
IN dependent on switch configuration input polarity determined by sense of switch.

Fig. 4 - Charge Injection



$X_{TALK} \text{ isolation} = 20 \log \frac{V_{OUT}}{V_{IN}}$
 $C = \text{RF bypass}$

Fig. 5 - Crosstalk (DG419LE)

TEST CIRCUITS

Fig. 6 - Off Isolation

Fig. 7 - Channel Capacitances

Vishay Siliconix maintains worldwide manufacturing capability. Products may be manufactured at one of several qualified locations. Reliability data for Silicon Technology and Package Reliability represent a composite of all qualified locations. For related documents such as package / tape drawings, part marking, and reliability data, see www.vishay.com/ppg?76432.



Disclaimer

ALL PRODUCT, PRODUCT SPECIFICATIONS AND DATA ARE SUBJECT TO CHANGE WITHOUT NOTICE TO IMPROVE RELIABILITY, FUNCTION OR DESIGN OR OTHERWISE.

Vishay Intertechnology, Inc., its affiliates, agents, and employees, and all persons acting on its or their behalf (collectively, "Vishay"), disclaim any and all liability for any errors, inaccuracies or incompleteness contained in any datasheet or in any other disclosure relating to any product.

Vishay makes no warranty, representation or guarantee regarding the suitability of the products for any particular purpose or the continuing production of any product. To the maximum extent permitted by applicable law, Vishay disclaims (i) any and all liability arising out of the application or use of any product, (ii) any and all liability, including without limitation special, consequential or incidental damages, and (iii) any and all implied warranties, including warranties of fitness for particular purpose, non-infringement and merchantability.

Statements regarding the suitability of products for certain types of applications are based on Vishay's knowledge of typical requirements that are often placed on Vishay products in generic applications. Such statements are not binding statements about the suitability of products for a particular application. It is the customer's responsibility to validate that a particular product with the properties described in the product specification is suitable for use in a particular application. Parameters provided in datasheets and / or specifications may vary in different applications and performance may vary over time. All operating parameters, including typical parameters, must be validated for each customer application by the customer's technical experts. Product specifications do not expand or otherwise modify Vishay's terms and conditions of purchase, including but not limited to the warranty expressed therein.

Except as expressly indicated in writing, Vishay products are not designed for use in medical, life-saving, or life-sustaining applications or for any other application in which the failure of the Vishay product could result in personal injury or death. Customers using or selling Vishay products not expressly indicated for use in such applications do so at their own risk. Please contact authorized Vishay personnel to obtain written terms and conditions regarding products designed for such applications.

No license, express or implied, by estoppel or otherwise, to any intellectual property rights is granted by this document or by any conduct of Vishay. Product names and markings noted herein may be trademarks of their respective owners.