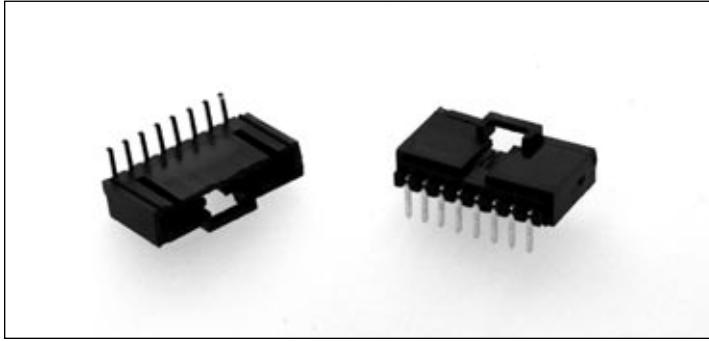


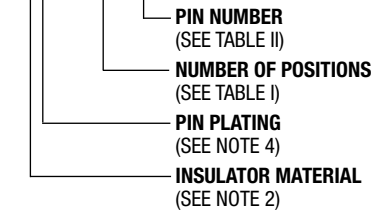
.100" (2.54mm) Single Row, Through Hole, Right Angle Shrouded Header with Latch



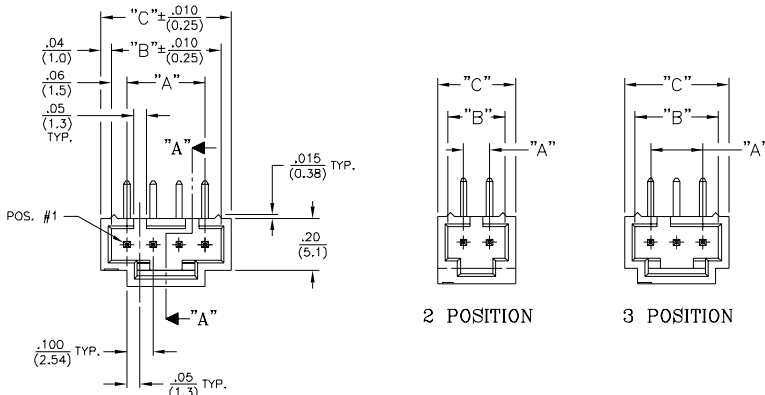
9100 SERIES ("POST/BOXE")

PART NUMBER LEGEND

91XX-9-1XX-0X



MATING CONNECTORS: 9300 SERIES RECEPTACLES



NOTES:

- 1) ALL DIMENSIONS ARE SHOWN AS INCHES/(MM).
- 2) INSULATOR MATERIAL =
9100-9-2XX-01: POLYESTER (PBT), 30% GLASS FILLED, UL94V-0
9110-9-2XX-01: POLYESTER (PCT), 30% GLASS FILLED, UL94V-0
- 3) PIN MATERIAL = PHOSPHOR BRONZE.
- 4) PIN FINISH =
9100 - TIN OVER NICKEL PLATE;
9108 - SEL. GOLD PLATE (.000030) AND SEL. TIN/LEAD (.0001/.0002) WITH NICKEL UNDERPLATE OVERALL;
910E - SEL. GOLD PLATE (.000015) AND SEL. TIN/LEAD (.0001/.0002) WITH NICKEL UNDERPLATE OVERALL;

TABLE I				
No. OF POS.	PART No.	DIM "A"	DIM "B"	DIM "C"
2	910X-9-102-0X	.100/(2.54)	.220/(5.59)	.300/(7.62)
3	103	.200/(5.08)	.320/(8.13)	.400/(10.16)
4	104	.300/(7.62)	.420/(10.67)	.500/(12.70)
5	105	.400/(10.16)	.520/(13.21)	.600/(15.24)
6	106	.500/(12.70)	.620/(15.75)	.700/(17.78)
7	107	.600/(15.24)	.720/(18.29)	.800/(20.32)
8	108	.700/(17.78)	.820/(20.83)	.900/(22.86)
9	109	.800/(20.32)	.920/(23.37)	1.000/(25.40)
10	110	.900/(22.86)	1.020/(25.91)	1.100/(27.94)
11	111	1.000/(25.40)	1.120/(28.45)	1.200/(30.48)
12	112	1.100/(27.94)	1.220/(30.99)	1.300/(33.02)
13	113	1.200/(30.48)	1.320/(33.53)	1.400/(35.56)
14	114	1.300/(33.02)	1.420/(36.07)	1.500/(38.10)
15	115	1.400/(35.56)	1.520/(38.61)	1.600/(40.64)
16	116	1.500/(38.10)	1.620/(41.15)	1.700/(43.18)
17	117	1.600/(40.64)	1.720/(43.69)	1.800/(45.72)
18	118	1.700/(43.18)	1.820/(46.23)	1.900/(48.26)
19	119	1.800/(45.72)	1.920/(48.77)	2.000/(50.80)
20	120	1.900/(48.26)	2.020/(51.31)	2.100/(53.34)
21	121	2.000/(50.80)	2.120/(53.85)	2.200/(55.88)
22	122	2.100/(53.34)	2.220/(56.39)	2.300/(58.42)
23	123	2.200/(55.88)	2.320/(58.93)	2.400/(60.96)
24	124	2.300/(58.42)	2.420/(61.47)	2.500/(63.50)
25	125	2.400/(60.96)	2.520/(64.01)	2.600/(66.04)
26	126	2.500/(63.50)	2.620/(66.55)	2.700/(68.58)
27	127	2.600/(66.04)	2.720/(69.09)	2.800/(71.12)
28	128	2.700/(68.58)	2.820/(71.63)	2.900/(73.66)
29	129	2.800/(71.12)	2.920/(74.17)	3.000/(76.20)
30	130	2.900/(73.66)	3.020/(76.71)	3.100/(78.74)
31	131	3.000/(76.20)	3.120/(79.25)	3.200/(81.28)
32	132	3.100/(78.74)	3.220/(81.79)	3.300/(83.82)
33	133	3.200/(81.28)	3.320/(84.33)	3.400/(86.36)
34	134	3.300/(83.82)	3.420/(86.87)	3.500/(88.90)
35	135	3.400/(86.36)	3.520/(89.41)	3.600/(91.44)
36	136	3.500/(88.90)	3.620/(91.95)	3.700/(93.98)
37	137	3.600/(91.44)	3.720/(94.49)	3.800/(96.52)
38	138	3.700/(93.98)	3.820/(97.03)	3.900/(99.06)
39	139	3.800/(96.52)	3.920/(99.57)	4.000/(101.60)
40	910X-9-140-0X	3.900/(99.06)	4.020/(102.11)	4.100/(104.14)

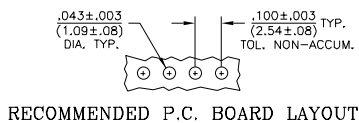
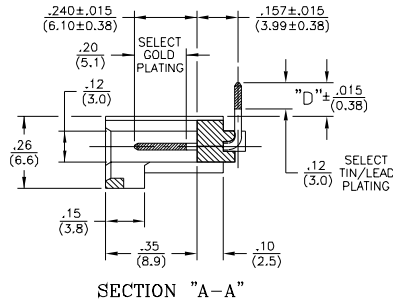
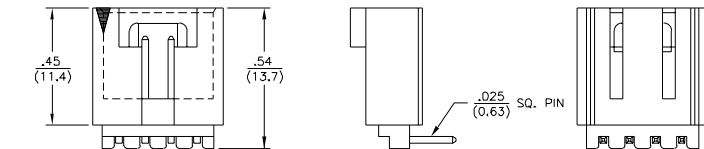


TABLE II	
PART No.	DIM "D"
910X-9-1XX-01	.130/(3.30)
910X-9-1XX-02	.079/(2.00)
910X-9-1XX-03	.200/(5.08)



North and South America:
Methode Electronics, Inc. Connector Products
 1700 Hicks Road • Rolling Meadows, IL 60008 USA
 847-392-3500 • Toll Free: 800-323-6864 • Fax: 847-392-9404
 Email: info@methode.com • Web: www.methode.com/connector/index.html

Europe:
Methode Electronics Ireland, Ltd.
 Unit H, Crossagalla Business Park, Ballysimon Rd. • Limerick, Ireland
 +353 (0) 61 401222 • Fax: +353 (0) 61 401942
 Email: info@methode.ie • Web: ireland.methode.com/main.html

Far East:
Methode Electronics Far East, Pte. Ltd.
 1 Tuas Lane, Jurong Town • Singapore 638610
 65-68615444 • Fax: 65-68614777
 Email: sales@methode.com.sg • Web: www.methode.com/mefe/index.html