

FEATURES AND SPECIFICATIONS

Features and Benefits

- Sizes 2 to 36 circuits
- Available with kinked pins for better PC board retention
- Available with end backwalls removed for left to right polarization
- Various pin lengths available
- Voided circuits available (contact Molex)

Reference Information

Product Specification: PS-10-07
 Packaging: Bag
 Tooling Information: See cutting tool section
 UL File No.: E29179
 CSA File No.: LR19980
 Mates With: [2695](#), [4455](#), [6471](#), [7720](#) and [7880](#)
 Designed In: Inches

Electrical

Voltage: 250V
 Current: 4.0A
 Contact Resistance: 20mΩ max.
 Dielectric Withstanding Voltage: 1500V
 Insulation Resistance: 50K MΩ min.

Mechanical

Durability:
 Tin—25 cycles max.
 Gold—100 cycles max.

Physical

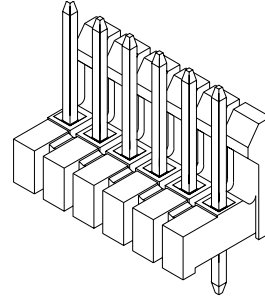
Housing: Glass-filled nylon, UL 94V-0
 Contact: Phosphor Bronze, 0.64mm (.025") square
 Plating: See Table
 Operating Temperature: 0 to +75°C



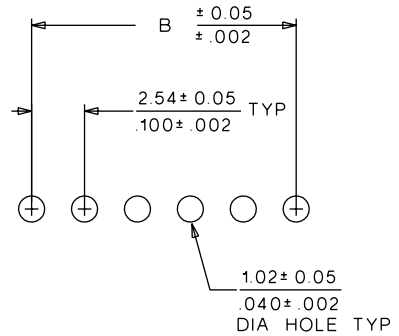
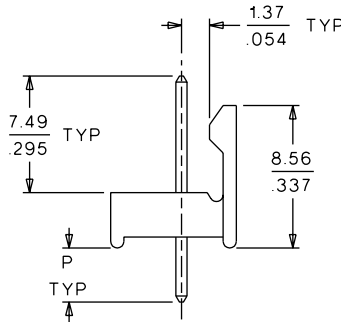
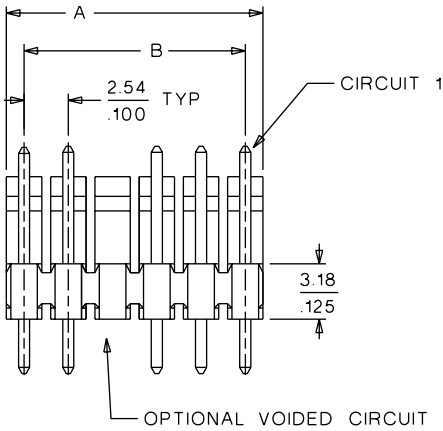
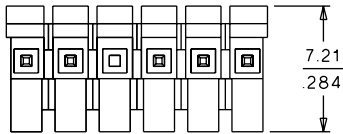
2.54mm (.100") Pitch KK® Breakaway Header

42227

Vertical Friction Lock



CATALOG DRAWING (FOR REFERENCE ONLY)



PCB LAYOUT: COMPONENT SIDE
 RECOMMENDED PCB THICKNESS $\frac{1.57 \pm 0.18}{.062 \pm .007}$

ORDERING INFORMATION AND DIMENSIONS

Standard			With Kinked Tails			With Backwalls Removed		
Tin	15μ" Select Gold	30μ" Select Gold	Tin	15μ" Select Gold	30μ" Select Gold	Tin	15μ" Select Gold	30μ" Select Gold
• 22-28-OXX0	• 22-28-OXX1	• 22-28-OXX2	22-28-OXX3	22-28-OXX4	22-28-OXX5	22-28-OXX6*	22-28-OXX7*	22-28-OXX8*

Replace XX with no. of circuits, 02-36

Circuits	Dimension		
	A	B	P
2	5.08 (.200)	2.54 (.100)	3.05 (.120)
3	7.62 (.300)	5.08 (.200)	3.05 (.120)
4	10.16 (.400)	7.62 (.300)	3.05 (.120)
5	12.70 (.500)	10.16 (.400)	3.05 (.120)
6	15.24 (.600)	12.70 (.500)	3.05 (.120)
7	17.78 (.700)	15.24 (.600)	3.05 (.120)
8	20.32 (.800)	17.78 (.700)	3.05 (.120)
9	22.86 (.900)	20.32 (.800)	3.05 (.120)
10	25.40 (1.000)	22.86 (.900)	3.05 (.120)
11	27.94 (1.100)	25.40 (1.000)	3.05 (.120)
12	30.48 (1.200)	27.94 (1.100)	3.05 (.120)
13	33.02 (1.300)	30.48 (1.200)	3.05 (.120)

Circuits	Dimension		
	A	B	P
14	35.56 (1.400)	33.02 (1.300)	3.43 (.135)
15	38.10 (1.500)	35.56 (1.400)	3.43 (.135)
16	40.64 (1.600)	38.10 (1.500)	3.43 (.135)
17	43.18 (1.700)	40.64 (1.600)	3.43 (.135)
18	45.72 (1.800)	43.18 (1.700)	3.43 (.135)
19	48.26 (1.900)	45.72 (1.800)	3.43 (.135)
20	50.80 (2.000)	48.26 (1.900)	3.43 (.135)
21	53.34 (2.100)	50.80 (2.000)	3.43 (.135)
22	55.88 (2.200)	53.34 (2.100)	3.43 (.135)
23	58.42 (2.300)	55.88 (2.200)	3.43 (.135)
24	60.96 (2.400)	58.42 (2.300)	3.43 (.135)
25	63.50 (2.500)	60.96 (2.400)	3.43 (.135)

Circuits	Dimension		
	A	B	P
26	66.04 (2.600)	63.50 (2.500)	3.05 (.120)
27	68.58 (2.700)	66.04 (2.600)	3.05 (.120)
28	71.12 (2.800)	68.58 (2.700)	3.05 (.120)
29	73.66 (2.900)	71.12 (2.800)	3.05 (.120)
30	76.20 (3.000)	73.66 (2.900)	3.05 (.120)
31	78.74 (3.100)	76.20 (3.000)	3.05 (.120)
32	81.28 (3.200)	78.74 (3.100)	3.05 (.120)
33	83.82 (3.300)	81.28 (3.200)	3.05 (.120)
34	86.36 (3.400)	83.82 (3.300)	3.05 (.120)
35	88.90 (3.500)	86.36 (3.400)	3.05 (.120)
36	91.44 (3.600)	88.90 (3.500)	3.05 (.120)

* US Standard Product, available through Molex franchised distributors (36 circuit only)

* Available in 3 to 36 circuits only

Circuit 1 designation is used to orient the header to locate the voided circuit. Review mating connector to assure correct mating orientation.