

**FEATURES AND SPECIFICATIONS**

**Features and Benefits**

- Positive lock
- Fully isolated terminals
- Polarized housing assures proper mating
- Male and female terminals may be used in plug housing

**Reference Information**

Packaging: Bag  
 UL File No.: E29179  
 CSA File No.: LR19980  
 TUV License No.: R75107  
 Mates With: [3191](#) receptacle  
 Use With: Standard .093" terminal  
 Designed In: Inches

**Electrical**

Voltage: 600V  
 Current: 12.0A max.\*  
 Dielectric Withstanding Voltage: 5000V AC rms

**Mechanical**

Contact Retention to Housing: 20 lb min.

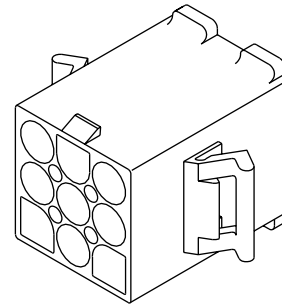
**Physical**

Housing: Nylon, UL 94V-0 or 94V-2  
 Operating Temperature: -40 to +105°C

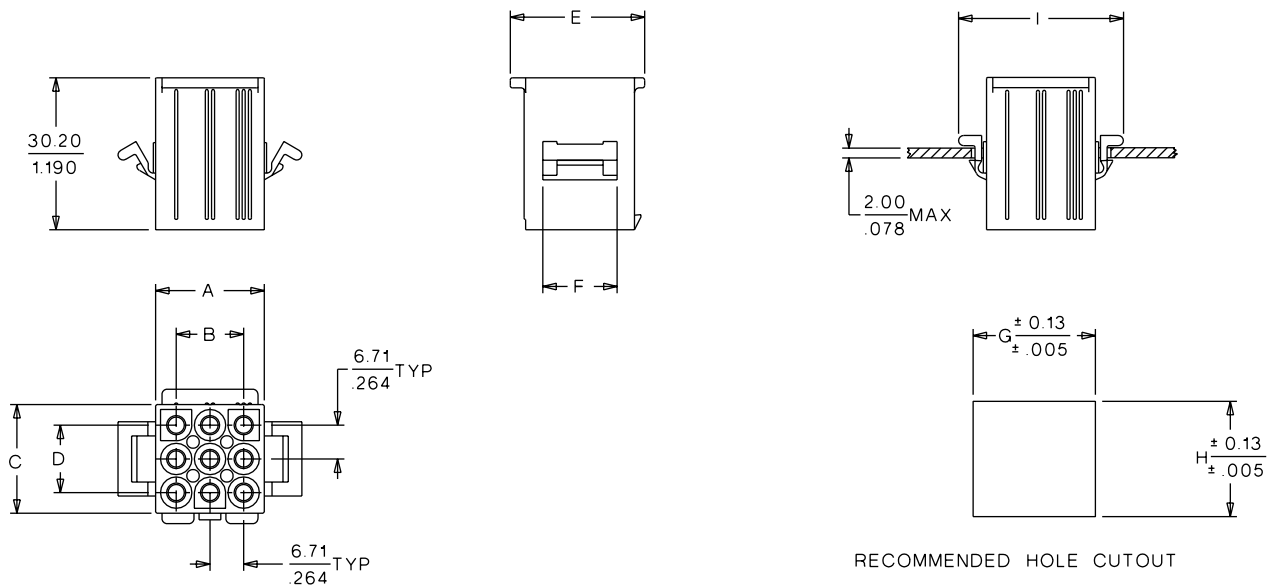
\* Depending on circuit size and wire gauge; please refer to product specifications

**molex® 6.71 mm (.264") Pitch  
 .093" Pin and Socket  
 Plug**

**3191**



**CATALOG DRAWING (FOR REFERENCE ONLY)**

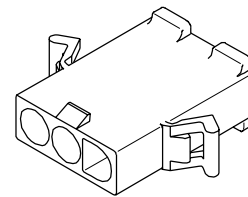
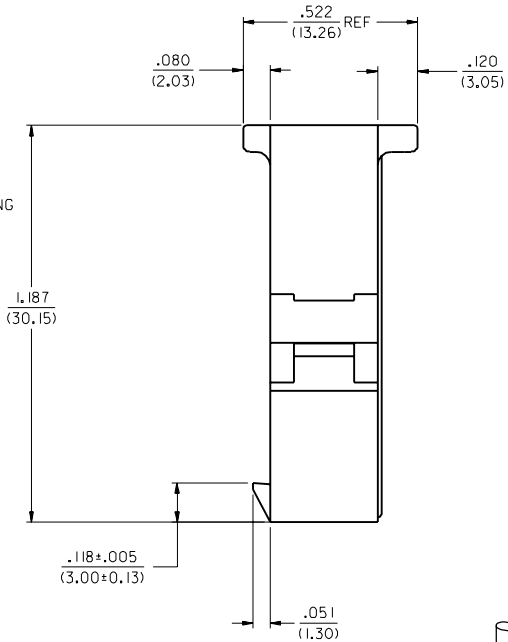
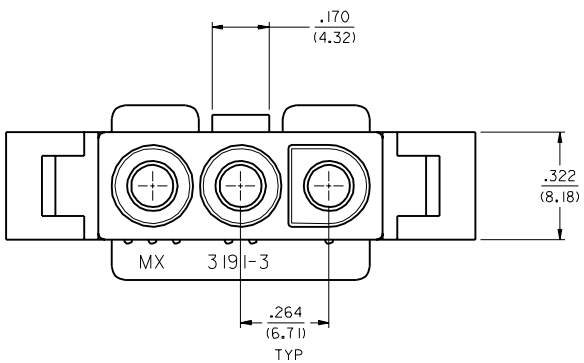
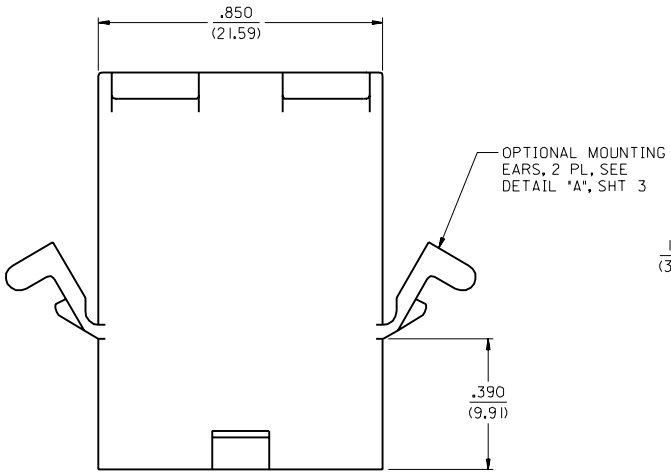
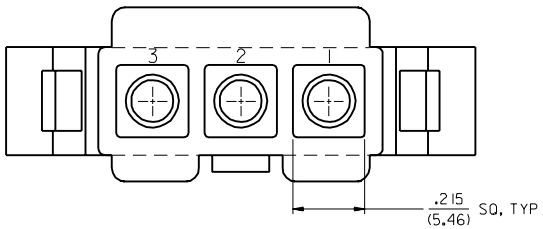


RECOMMENDED HOLE CUTOUT

**ORDERING INFORMATION AND DIMENSIONS**

Circuits	Order No.				Amperes Per Circuit	Dimension							
	Panel Mount		Free Hanging			A	B	C	D	E	F	G	H
	94V-2	94V-0	94V-2	94V-0									
1	• 19-09-2018	• 19-09-2017	• 19-09-2019	• 19-09-2016	12	8.10 (.320)				11.15 (.439)	6.35 (.250)	12.30 (.484)	10.00 (.394)
2	• 19-09-2028	• 19-09-2027	• 19-09-2029	• 19-09-2026	12	14.90 (.590)	6.71 (.264)	8.10 (.320)		13.30 (.520)	8.20 (.320)	20.32 (.800)	9.27 (.365)
3	• 19-09-2038	• 19-09-2037	• 19-09-2039	• 19-09-2036	11	21.59 (.850)	13.42 (.528)	8.20 (.320)		13.30 (.520)	8.20 (.320)	25.90 (1.020)	10.00 (.394)
4	• 19-09-2048	• 19-09-2047	• 19-09-2049	• 19-09-2046	9	28.30 (1.110)	20.13 (.792)	8.20 (.320)		13.30 (.520)	8.20 (.320)	32.26 (1.270)	10.00 (.394)
6	• 19-09-2068	• 19-09-2067	• 19-09-2069	• 19-09-2066	9	21.60 (.850)	13.42 (.528)	14.90 (.590)	6.71 (.264)	19.96 (.790)	14.70 (.580)	26.60 (1.047)	17.30 (.681)
9	• 19-09-2098	• 19-09-2097	• 19-09-2099	• 19-09-2096	9	21.60 (.850)	13.42 (.528)	21.60 (.850)	13.42 (.528)	26.70 (1.050)	14.70 (.580)	26.62 (1.048)	23.09 (.909)
12	• 19-09-2128	• 19-09-2127	• 19-09-2129	• 19-09-2126	9	28.20 (1.110)	20.13 (.792)	22.10 (.870)	13.42 (.528)	26.70 (1.050)	14.70 (.580)	33.02 (1.300)	23.10 (.910)
15	• 19-09-2158	• 19-09-2157	• 19-09-2159	• 19-09-2156	9	35.10 (1.380)	26.84 (1.056)	22.10 (.870)	13.42 (.528)	26.70 (1.050)	14.70 (.580)	39.42 (1.552)	23.11 (.910)

• US Standard Product, available through Molex franchised distributors



PLUG

3	J5			
2	J5	J5	REDRAWN ON CAD	
1	J5		ECR 1/8/96	RW

DATE 1/8/96

DIMENSIONS SHOWN METRIC (INCH)		▽ = 0	▼ = 0	REVISE ONLY ON CAD SYSTEM	
UNLESS OTHERWISE SPECIFIED TOLERANCES: ANGULAR ± 1/2°		TITLE		.093/(2.36) HOUSING	
				PLUG AND RECEPTACLE	
				3 CKT., .264/(6.71) CTRS.	
		MOLEX INCORPORATED		SHEET NO. 1 of 3	
		L15LEJLL		DATE 1/8/96	
		60532		U.S.A.	
DRAWING: RAS		CHKD: RW		DRWG. NO. SD-3191-3	
BY: RAS		SCALE: 4 : 1		FILE NAME: S31913X1.DGN	
				THIS DRAWING CONTAINS INFORMATION THAT IS PROPRIETARY TO MOLEX INC. AND SHOULD NOT BE USED WITHOUT WRITTEN PERMISSION.	
				DIV. CP	
				SIZE	

13 12 11 10 9 8 7 6 3191 4 3 2 1

PLUG		RECEPTACLE	
PART NO.	ENG. NO.	PART NO.	ENG. NO.
19-09-2038	3191-3P	19-09-1039	3191-3R1
19-09-2039	3191-3P1	19-09-1036	3191-3R1-201
19-09-2037	3191-3P-201	19-09-3030	3191-3R1RD
19-09-2036	3191-3P1-201		
19-09-1038	3191-3P1RD		
19-09-3032	3191-3PRD		
19-09-3033	3191-3PBU		

**LEGEND**

3191-3\*\*\*\*\*

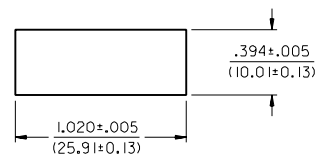
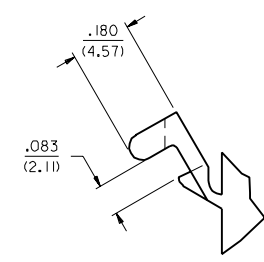
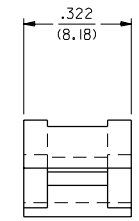
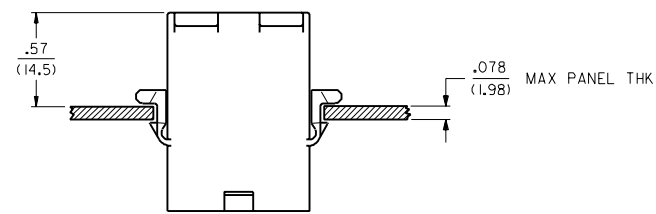
CIRCUIT SIZE

P = PLUG  
R = RECEPTACLE

EARS: BLANK = WITH PREBENT EARS (PLUG ONLY)  
I = WITHOUT EARS

COLOR: BLANK = NATURAL COLOR  
AM=AMBER BK=BLACK BU=BLUE  
BN=BROWN GY=GRAY GN=GREEN  
OR=ORANGE RD=RED YW=YELLOW  
COLORS AVAILABLE ONLY IN 94V-2 MATERIAL

MATERIAL: BLANK=NYLON TYPE 6/6,94V-2  
201=NYLON TYPE 6/6, 94V-0



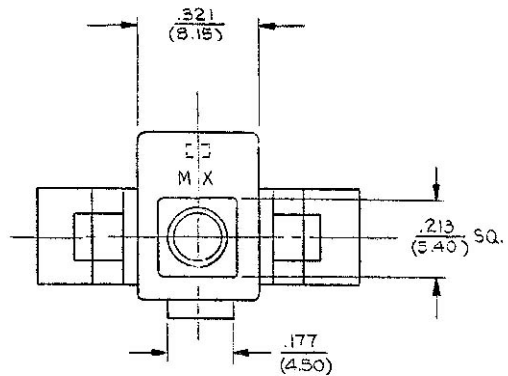
RECOMMENDED HOLE CUTOUT

DETAIL "A"  
PREBENT MOUNTING EAR  
(SCALE 4:1)

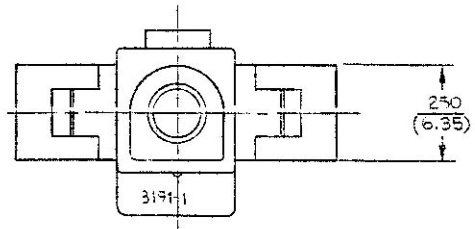
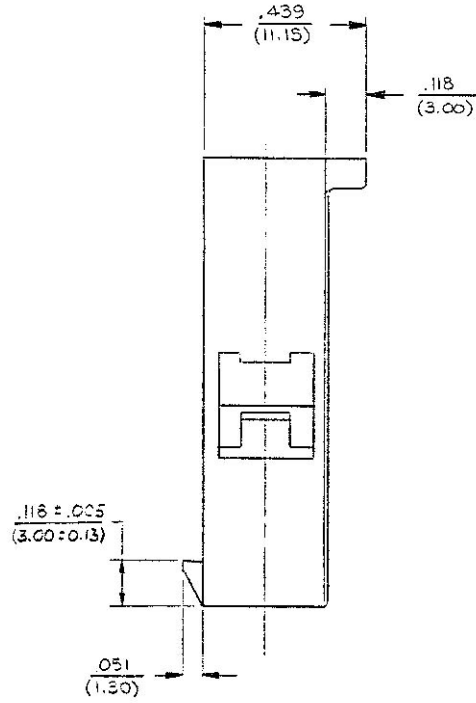
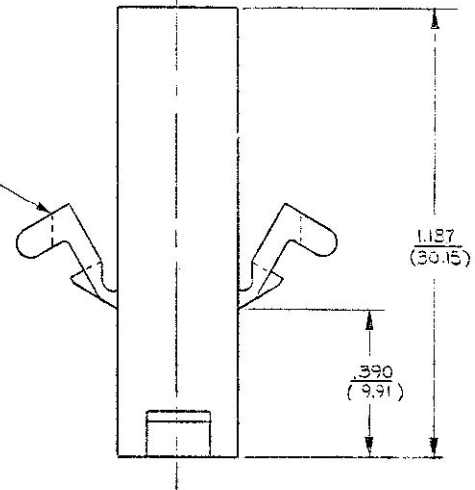
DIMENSIONS SHOWN (METRIC) INCH		▽=0 ▼=0		REVISE ONLY ON CAD SYSTEM	
UNLESS OTHERWISE SPECIFIED TOLERANCES ANGULAR ± 1/2°					
INCH		METRIC		TITLE	
3 PLACE	± .010	---	---	.093/(2.36) HOUSINGS	
2 PLACE	± .015	± 0.25	---	PLUG AND RECEPTACLE	
1 PLACE	---	± 0.38	---	3 CKT. ±.264/(6.71) CTRS.	
DRAFT WHERE APPLICABLE MUST REMAIN WITHIN DIMENSIONS					
PART NO.		SHEET NO.		DATE	
3191-3		3		1/8/96	
DRAWN BY: GIC		CHK'D BY: RW		MOLEX INCORPORATED	
APP'D BY: RAS		SCALE: --:--		LITTLE, JILL. 60532 U.S.A.	
LTR. REVISIONS		LTR. REVISIONS		SEE CHART	
J5 SEE SHEET 1				SD-3191-3*	
				THIS DRAWING CONTAINS INFORMATION THAT IS PROPRIETARY TO MOLEX INC. AND SHOULD NOT BE USED WITHOUT WRITTEN PERMISSION	
				DIN. SIZE CPIC	

13 12 11 10 9 8 7 6 5 4 3 2 NO P.S. 1

3191



OPTIONAL MOUNTING EARS  
(SEE DETAIL 'A' SHT. 3)



PLUG

D3	X-REMY -IRIBU ECN U40412 GNC 3-31-94
D2	ADD RAMP LENGTH ECN = U4 0293 3-1-94 JJS
D1	X-REMOVE -IPRD ECR U20252 GNC 2/13/92
D	REV. MAT. CODE ECR U80901 NEW 7-26-89
C	REV. EMB. NO. SUFFIXES ECR # U90072 NEW 1-24-89
B	REV. EMB. or COLOR CODE ECR # U8 1694 NEW 1-12-87
A	FINAL RELEASE PER ERO 26079 JJS 1-16-88

D3	3	D3
A	2	A
D3	1	D3
MFG	SH	REV
LTR. REVISIONS		

MOLEX INCORPORATED

093 / (2.36) HOUSING  
PLUG & RECEPTACLE  
1 - CIRCUIT

MOLEX INCORPORATED  
1335 E. 17th St. USA 69432

DATE: 2/15/88

DRWG. NO: SD-3191-1\*

SCALE: 4:1

THIS DRAWING CONTAINS INFORMATION THAT IS PROPRIETARY TO MOLEX INC. AND SHOULD NOT BE USED WITHOUT WRITTEN PERMISSION.

NO 25 1

13 12 11 10 9 8 6 5 4 3 2 1

PLUG		RECEPTACLE	
PART NO.	ENG. NO.	PART NO.	ENG. NO.
19-09-2018	3191-1P	19-09-1019	3191-1R1
19-09-2019	3191-1P1	19-09-1016	3191-1R1-201
19-09-2017	3191-1P-201	19-09-6010	3191-1R1AD
19-09-2016	3191-1P1-201	19-09-6011	3191-1R1BU
19-09-2015	3191-1PRD		

3191

**LEGEND:**

3191-1\*\*\*-\*

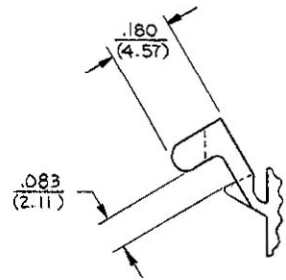
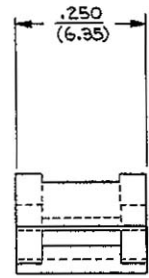
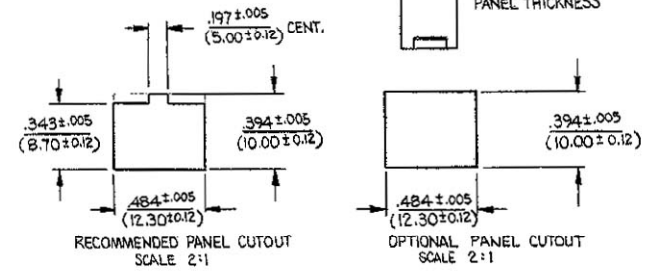
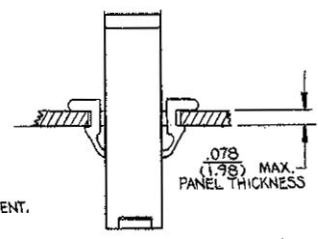
CIRCUIT SIZE

P = PLUG  
R = RECEPTACLE

EARS: BLANK = WITH PREBENT EARS (PLUG ONLY)  
1 = WITHOUT EARS

COLOR: BLANK = NATURAL COLOR  
AM = AMBER BK = BLACK BU = BLUE  
BN = BROWN GY = GREY GN = GREEN  
OR = ORANGE RD = RED YW = YELLOW  
COLORS AVAILABLE ONLY IN 94V2 MATERIAL

MATERIAL: BLANK - NYLON TYPE 6/6, 94V-2  
201 - NYLON TYPE 6/6, 94V0



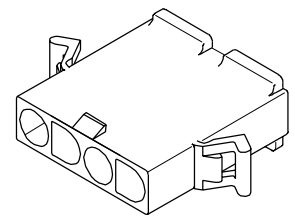
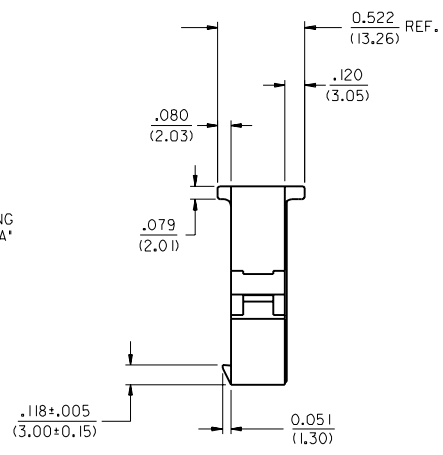
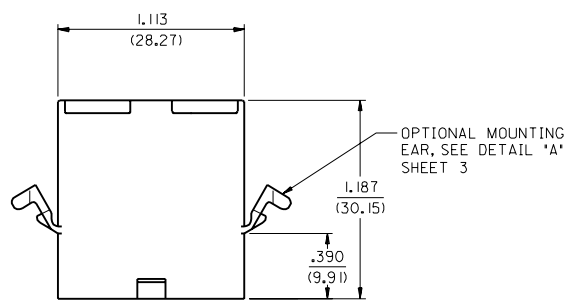
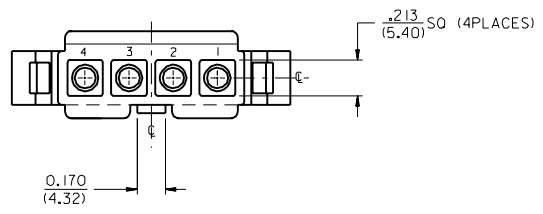
DETAIL "A"  
PREBENT MOUNTING EAR  
SCALE 4:1

D3	SEE SHEET 1
D1	SEE SHEET 1
D	SEE SHEET 1
C	SEE SHEET 1
B	SEE SHEET 1
A	SEE SHEET 1

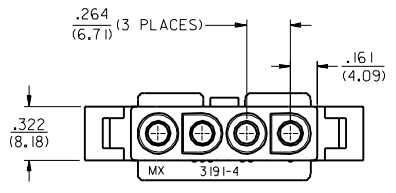
APP.	SH.	REV.	LTR.	REVISIONS

DIMENSIONS SHOWN (UNLESS NOTED) UNLESS OTHERWISE SPECIFIED TOLERANCES: FRACTIONS		TITLE .093 / (2.36) HOUSINGS PLUG & RECEPTACLE 1 - CIRCUIT																			
<table border="1"> <thead> <tr> <th></th> <th>INCH</th> <th>METRIC</th> </tr> </thead> <tbody> <tr> <td>3 PLAGE</td> <td>± .010</td> <td></td> </tr> <tr> <td>2 PLAGE</td> <td>± .014</td> <td>± 0.25</td> </tr> <tr> <td>1 PLAGE</td> <td></td> <td>± 0.36</td> </tr> </tbody> </table>			INCH	METRIC	3 PLAGE	± .010		2 PLAGE	± .014	± 0.25	1 PLAGE		± 0.36	<table border="1"> <tr> <td>MOLEX INCORPORATED</td> <td>SHEET NO. 3</td> <td>DATE 2/15/88</td> </tr> <tr> <td>OSLY, ILL. U.S.A.</td> <td></td> <td></td> </tr> </table>		MOLEX INCORPORATED	SHEET NO. 3	DATE 2/15/88	OSLY, ILL. U.S.A.		
	INCH	METRIC																			
3 PLAGE	± .010																				
2 PLAGE	± .014	± 0.25																			
1 PLAGE		± 0.36																			
MOLEX INCORPORATED	SHEET NO. 3	DATE 2/15/88																			
OSLY, ILL. U.S.A.																					
DRAFT WHERE APPLICABLE MUST REMAIN WITHIN DIMENSIONS		PART NO. SEE CHART DRAWING NO. SD-3191-1*																			
DRAWN BY: JPS CHECKED BY: R SCALE: 4:1		PRODUCT CODE: THIS DRAWING CONTAINS INFORMATION THAT IS PROPRIETARY TO MOLEX INC. AND SHOULD NOT BE USED WITHOUT WRITTEN PERMISSION DIV: CP SIZE: C																			

13 12 11 10 9 8 7 6 5 4 3 2 1

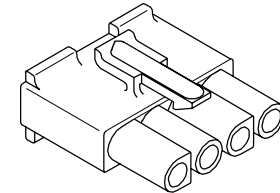
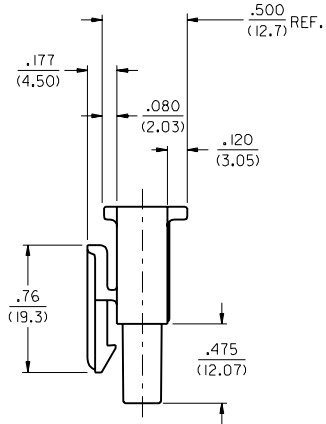
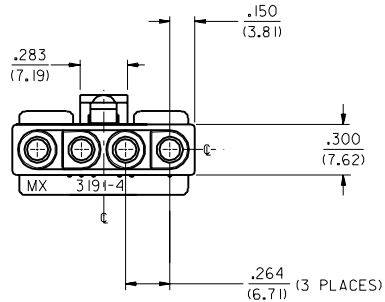
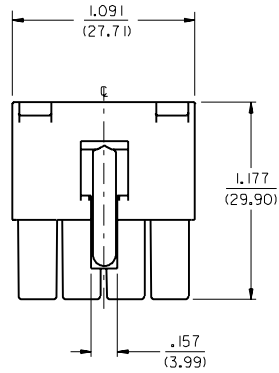
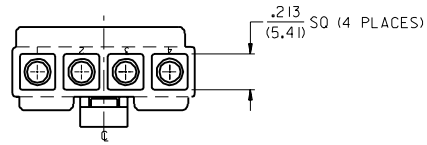


# PLUG HOUSING



3	J3
2	J3
1	J3

REDRAWN ON CAD EC NO. UCR1998-0254 DRWN: J. WANG 0006007 CHK: WIRKUS 0006007 APPR: R. EDGLEY 0006007	QUALITY SYMBOLS MAJOR $\blacktriangledown$ = 0 CRITICAL $\nabla$ = 0	GENERAL TOLERANCES: (UNLESS SPECIFIED)		SCALE 2 : 1	DESIGN UNITS <input type="checkbox"/> mm <input checked="" type="checkbox"/> INCH	THIRD ANGLE PROJECTION <input type="checkbox"/> mm <input checked="" type="checkbox"/> INCH <input type="checkbox"/> mm ONLY	DIMENSIONS: <input type="checkbox"/> mm <input checked="" type="checkbox"/> INCH <input type="checkbox"/> mm ONLY	SHT REV
		4 PLACES ±0.--- ±.---	3 PLACES ±0.--- ±.010	2 PLACES ±0.25 ±.015	1 PLACE ±0.38 ±.---			
DRAWN BY & DATE J. WANG 98/08/24		CHECKED BY & DATE WIRKUS 98/08/24		APPROVED BY & DATE R. EDGLEY 98/08/24		TITLE: <b>.093/(2.36) HOUSINGS PLUG AND RECEPTACLE 4-CKTS, .264/(6.70) CTRS</b>		REVISION ON CAD ONLY
CAD FILENAME S3191401.DGN		MATERIAL NO. SEE SHT. 3		DRAWING NO. SD -3191 -4*		SHEET NO. 1 OF 3		
J3	REV							



RECEPTACLE

EC NO. LCR1998-0254 DRWG: J.WANG 000607 CHK: B.WIRKUS 000607 APPR: R.EDGE 000607	QUALITY SYMBOLS MAJOR $\nabla=0$ CRITICAL $\nabla C=0$	GENERAL TOLERANCES: (UNLESS SPECIFIED)		SCALE 2 : 1	DESIGN UNITS <input type="checkbox"/> mm <input checked="" type="checkbox"/> INCH	DIMENSIONS: <input type="checkbox"/> mm <input checked="" type="checkbox"/> INCH <input type="checkbox"/> mm ONLY	SHT. REV REVISE ON CAD ONLY
		4 PLACES $\pm 0, - - -$ $\pm, - - -$ 3 PLACES $\pm 0, - - -$ $\pm, 0 10$ 2 PLACES $\pm 0, 25$ $\pm, 0 15$ 1 PLACE $\pm 0, 38$ $\pm, - - -$	DRAWN BY & DATE J.WANG 98/08/24	TITLE: .093/(2.36) HOUSINGS PLUG AND RECEPTACLE 4 CKT., .264/(6.70) CTRS		THIRD ANGLE PROJECTION <input type="checkbox"/> mm <input checked="" type="checkbox"/> INCH	
J3	DESCRIPTION MX 3191-4	ANGLAR: $\pm 1$ °		CAD FILENAME S3191402.DGN	MOLEX INCORPORATED		SIZE C
DRAFT WHERE APPLICABLE MUST REMAIN WITHIN DIMENSIONS				THIS DRAWING CONTAINS INFORMATION THAT IS PROPRIETARY TO MOLEX INCORPORATED AND SHOULD NOT BE USED WITHOUT WRITTEN PERMISSION.			

13 12 11 10 9 8 7 6 5 4 3 2 3191

PLUG	
PART NO.	ENG. NO.
19-09-2048	3191-4P
19-09-2049	3191-4P1
19-09-2047	3191-4P-A
19-09-2046	3191-4P1-A

RECEPTACLE	
PART NO.	ENG. NO.
19-09-1049	3191-4R1
19-09-1046	3191-4R1-A

### LEGEND

3191-4\*\*\*\*\*

CIRCUIT SIZE

P = PLUG  
R = RECEPTACLE

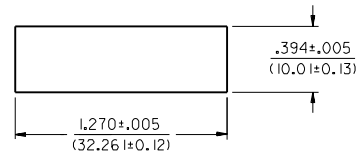
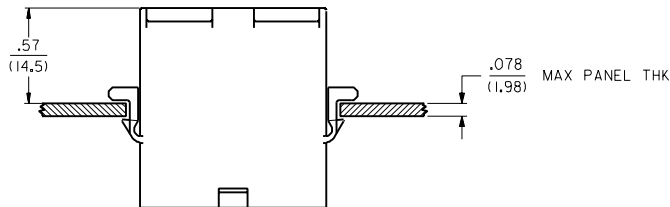
EARS: BLANK = WITH PREBENT EARS (PLUG ONLY)  
I = WITHOUT EARS

COLOR: BLANK = NATURAL COLOR

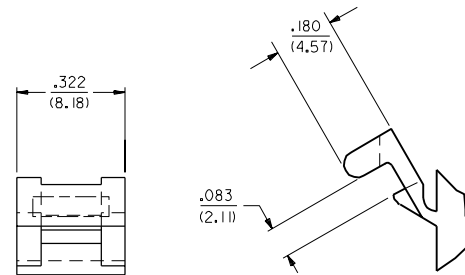
AM=AMBER BK=BLACK BU=BLUE  
BN=BROWN GY=GRAY GN=GREEN  
OR=ORANGE RD=RED YW=YELLOW

COLORS AVAILABLE ONLY IN 94V-2 MATERIAL

MATERIAL: BLANK=NYLON TYPE 6/6, 94V-2 COLOR:NATURAL  
A=NYLON TYPE 6/6, 94V-0 COLOR:WHITE



RECOMMENDED HOLE CUTOUT



DETAIL "A"  
.093/(2.36) PREBENT MOUNTING EAR  
(SCALE 4:1)

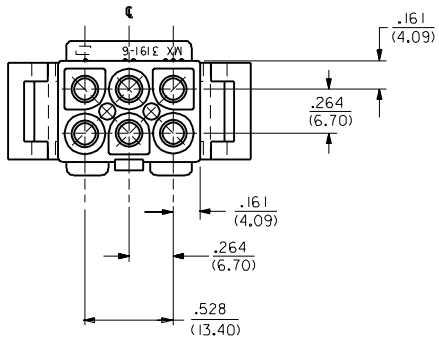
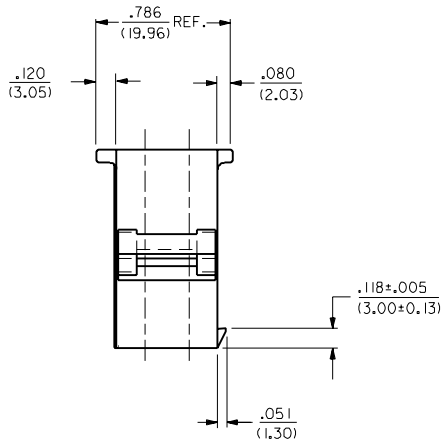
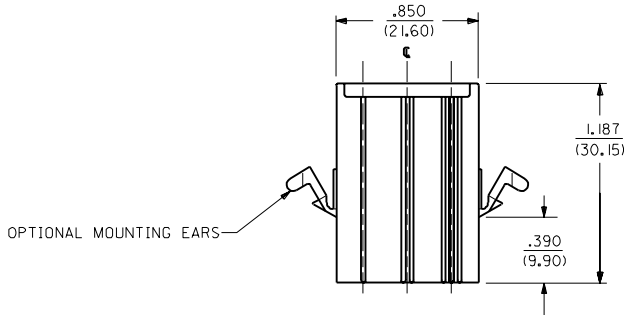
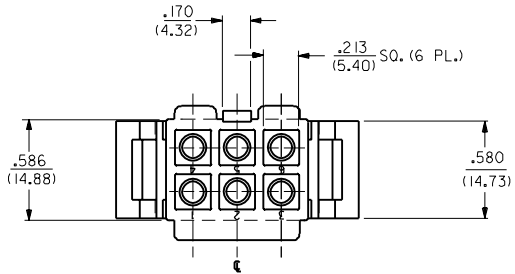
J  
I  
H  
G  
F  
E  
D  
C  
B  
A

J  
I  
H  
G  
F  
E  
D  
C  
B  
A

EC NO. LCR1998-0254 DRAWN BY J.WANG 000607 CHKD BY B.WIRKUS 000607 APPRD BY R.EDGLEY 000607	QUALITY SYMBOLS MAJOR $\nabla=0$ CRITICAL $\nabla C=0$	GENERAL TOLERANCES: (UNLESS SPECIFIED)		SCALE 2:1	DESIGN UNITS <input type="checkbox"/> mm <input checked="" type="checkbox"/> INCH	THIRD ANGLE PROJECTION	DIMENSIONS: <input type="checkbox"/> mm <input checked="" type="checkbox"/> INCH <input type="checkbox"/> mm ONLY	SHT	REV
		4 PLACES ±0.--- ±.--- 3 PLACES ±0.--- ±.010 2 PLACES ±0.25 ±.015 1 PLACE ±0.38 ±.---	mm	INCH	DRAWN BY & DATE J.WANG 98/08/18	CHECKED BY & DATE B.WIRKUS 98/08/18	TITLE: .093/(2.36) HOUSINGS PLUG AND RECEPTACLE 4-CKTS, .264/(6.70) CTRS		
J3	DESCRIPTION	ANGULAR: ± 1 °		CAD FILENAME S3191403.DGN	MATERIAL NO. SEE SHT.3	DRAWING NO. SD -3191-4*	SHEET NO. 3	REVISE ON CAD ONLY	
		DRAFT WHERE APPLICABLE MUST REMAIN WITHIN DIMENSIONS		THIS DRAWING CONTAINS INFORMATION THAT IS PROPRIETARY TO MOLEX INCORPORATED AND SHOULD NOT BE USED WITHOUT WRITTEN PERMISSION.		MOLEX INCORPORATED		SIZE C	

LBORD.DGN REV A 96/06/12 LEVEL 5 12 11 10 9 8 7 6 5 4 3 2 1

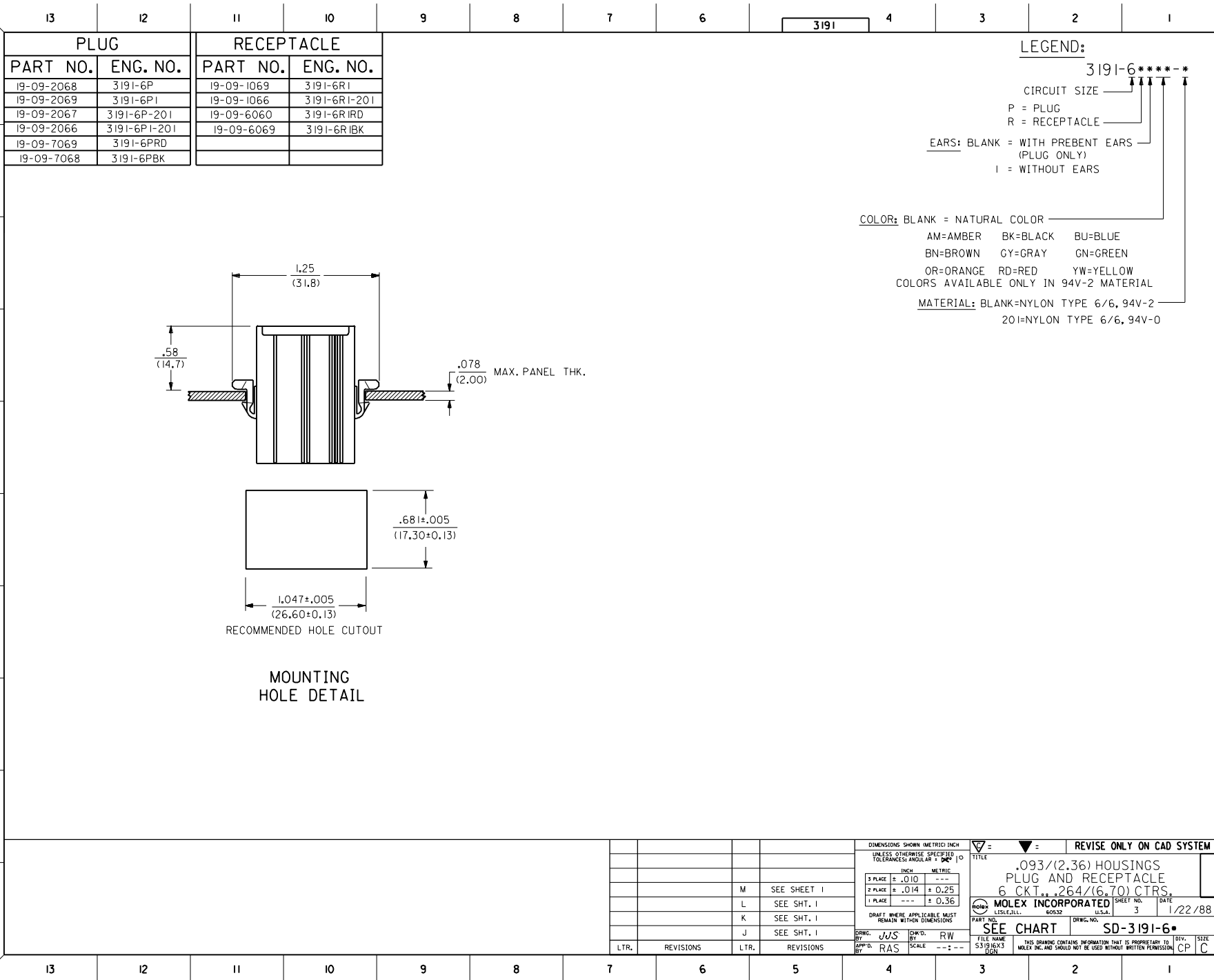




PLUG

MI	ADD RAMP LENGTH ECN #U4 0293 3-1-94 RW
M	REVISED PER ECR # U90659 KBW 07-25-89 RW
L	ADDED STANDOFFS PER ECR UB 2271 GEP 11-30-88 RW
K	REV. & FINAL REL. ECR UB 1710 GEP 7-14-88 RW
J	REVISED & REDRAWN PER ECR UB 0122 2-2-88 SCHAFFER
MFG.	SH. REV. LTR. REVISIONS

DIMENSIONS SHOWN METRIC (INCH)		▽ = 0	▼ = 0	REVISE ONLY ON CAD SYSTEM
UNLESS OTHERWISE SPECIFIED TOLERANCES ANGULAR ± 0°		TITLE		
INCH METRIC		.093/(2.36) HOUSING PLUG AND RECEPTACLE 6 CKT. .264/(6.70) CTRS.		
3 PLACE ± .010	---	MOLEX INCORPORATED SHEET NO. DATE L15LEJLL. 60532 U.S.A. 1 OF 3 1/25/88		
2 PLACE ± .014	± 0.25	PART NO. DRWG. NO.		
1 PLACE ---	± 0.36	SEE CHART SD-3191-6*		
DRAFT WHERE APPLICABLE MUST REMAIN WITHIN DIMENSIONS		FILE NAME S31916X1 1620		
DRWG. BY: JUS	CHKD. BY: RW	THIS DRAWING CONTAINS INFORMATION THAT IS PROPRIETARY TO MOLEX INC. AND SHOULD NOT BE USED WITHOUT WRITTEN PERMISSION.		
APP'D. RAS	SCALE 2 : 1	SIZE CP C		



13  
12  
11  
10  
9  
8  
7  
6  
5  
4  
3  
2  
1

J  
I  
H  
G  
F  
E  
D  
C  
B  
A

13  
12  
11  
10  
9  
8  
7  
6  
5  
4  
3  
2  
1

13  
12  
11  
10  
9  
8  
7  
6  
5  
4  
3  
2  
1

13  
12  
11  
10  
9  
8  
7  
6  
5  
4  
3  
2  
1

13  
12  
11  
10  
9  
8  
7  
6  
5  
4  
3  
2  
1

13  
12  
11  
10  
9  
8  
7  
6  
5  
4  
3  
2  
1

13  
12  
11  
10  
9  
8  
7  
6  
5  
4  
3  
2  
1

13  
12  
11  
10  
9  
8  
7  
6  
5  
4  
3  
2  
1

13  
12  
11  
10  
9  
8  
7  
6  
5  
4  
3  
2  
1

13  
12  
11  
10  
9  
8  
7  
6  
5  
4  
3  
2  
1

13  
12  
11  
10  
9  
8  
7  
6  
5  
4  
3  
2  
1

13  
12  
11  
10  
9  
8  
7  
6  
5  
4  
3  
2  
1

13  
12  
11  
10  
9  
8  
7  
6  
5  
4  
3  
2  
1

13  
12  
11  
10  
9  
8  
7  
6  
5  
4  
3  
2  
1

13  
12  
11  
10  
9  
8  
7  
6  
5  
4  
3  
2  
1

13  
12  
11  
10  
9  
8  
7  
6  
5  
4  
3  
2  
1

13  
12  
11  
10  
9  
8  
7  
6  
5  
4  
3  
2  
1

13  
12  
11  
10  
9  
8  
7  
6  
5  
4  
3  
2  
1

13  
12  
11  
10  
9  
8  
7  
6  
5  
4  
3  
2  
1

13  
12  
11  
10  
9  
8  
7  
6  
5  
4  
3  
2  
1

13  
12  
11  
10  
9  
8  
7  
6  
5  
4  
3  
2  
1

13  
12  
11  
10  
9  
8  
7  
6  
5  
4  
3  
2  
1

13  
12  
11  
10  
9  
8  
7  
6  
5  
4  
3  
2  
1

13  
12  
11  
10  
9  
8  
7  
6  
5  
4  
3  
2  
1

13  
12  
11  
10  
9  
8  
7  
6  
5  
4  
3  
2  
1

13  
12  
11  
10  
9  
8  
7  
6  
5  
4  
3  
2  
1

13  
12  
11  
10  
9  
8  
7  
6  
5  
4  
3  
2  
1

13  
12  
11  
10  
9  
8  
7  
6  
5  
4  
3  
2  
1

13  
12  
11  
10  
9  
8  
7  
6  
5  
4  
3  
2  
1

13  
12  
11  
10  
9  
8  
7  
6  
5  
4  
3  
2  
1

13  
12  
11  
10  
9  
8  
7  
6  
5  
4  
3  
2  
1

13  
12  
11  
10  
9  
8  
7  
6  
5  
4  
3  
2  
1

13  
12  
11  
10  
9  
8  
7  
6  
5  
4  
3  
2  
1

13  
12  
11  
10  
9  
8  
7  
6  
5  
4  
3  
2  
1

13  
12  
11  
10  
9  
8  
7  
6  
5  
4  
3  
2  
1

13  
12  
11  
10  
9  
8  
7  
6  
5  
4  
3  
2  
1

13  
12  
11  
10  
9  
8  
7  
6  
5  
4  
3  
2  
1

13  
12  
11  
10  
9  
8  
7  
6  
5  
4  
3  
2  
1

13  
12  
11  
10  
9  
8  
7  
6  
5  
4  
3  
2  
1

13  
12  
11  
10  
9  
8  
7  
6  
5  
4  
3  
2  
1

13  
12  
11  
10  
9  
8  
7  
6  
5  
4  
3  
2  
1

13  
12  
11  
10  
9  
8  
7  
6  
5  
4  
3  
2  
1

3191

3191

LEGEND:

3191-6\*\*\*\*-\*

CIRCUIT SIZE

P = PLUG

R = RECEPTACLE

EARS: BLANK = WITH PREBENT EARS (PLUG ONLY)

I = WITHOUT EARS

COLOR: BLANK = NATURAL COLOR

AM=AMBER BK=BLACK BU=BLUE

BN=BROWN GY=GRAY GN=GREEN

OR=ORANGE RD=RED YW=YELLOW

COLORS AVAILABLE ONLY IN 94V-2 MATERIAL

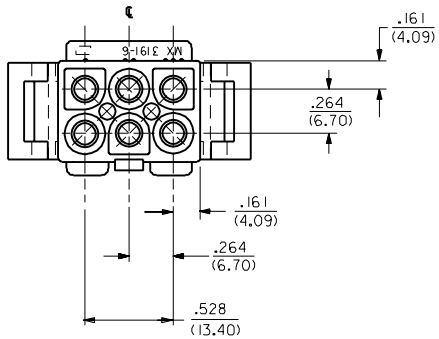
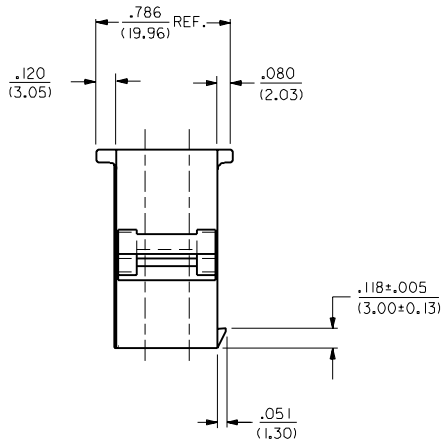
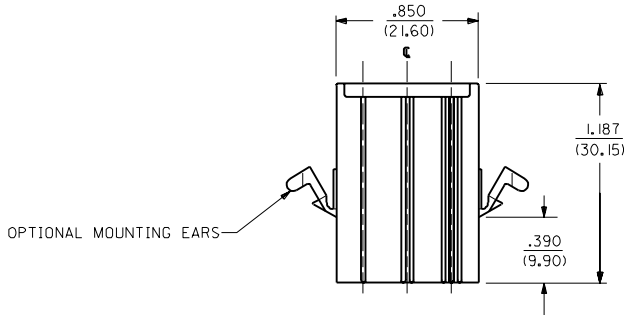
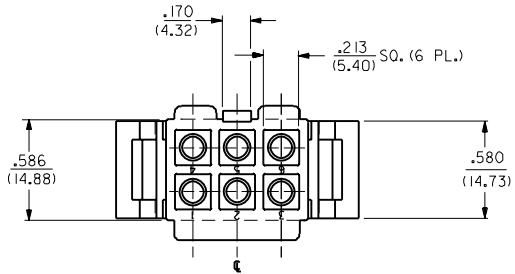
MATERIAL: BLANK=NYLON TYPE 6/6, 94V-2

201=NYLON TYPE 6/6, 94V-0

MOUNTING HOLE DETAIL

DIMENSIONS SHOWN (METRIC) INCH		UNLESS OTHERWISE SPECIFIED TOLERANCES: ANGLES .015 + .005		REVISIONS ONLY ON CAD SYSTEM	
3 PLACE	± .010	---			
2 PLACE	± .014	± 0.25			
1 PLACE	---	± 0.36			
DRAFT WHERE APPLICABLE MUST REMAIN WITHIN DIMENSIONS					
DRWG. BY	JUS	CHK'D. BY	RW		
APP'D. BY	RAS	SCALE	---		
TITLE		.093/(2.36) HOUSINGS PLUG AND RECEPTACLE 6 CKT., .264/(6.70) CTRS.			
MOLEX INCORPORATED		SHEET NO. 3		DATE 1/22/88	
SEE CHART		SD-3191-6*			
FILE NAME: S31916X3.DGN		THIS DRAWING CONTAINS INFORMATION THAT IS PROPRIETARY TO MOLEX INC. AND SHOULD NOT BE USED WITHOUT WRITTEN PERMISSION		DIN. SIZE CP C	

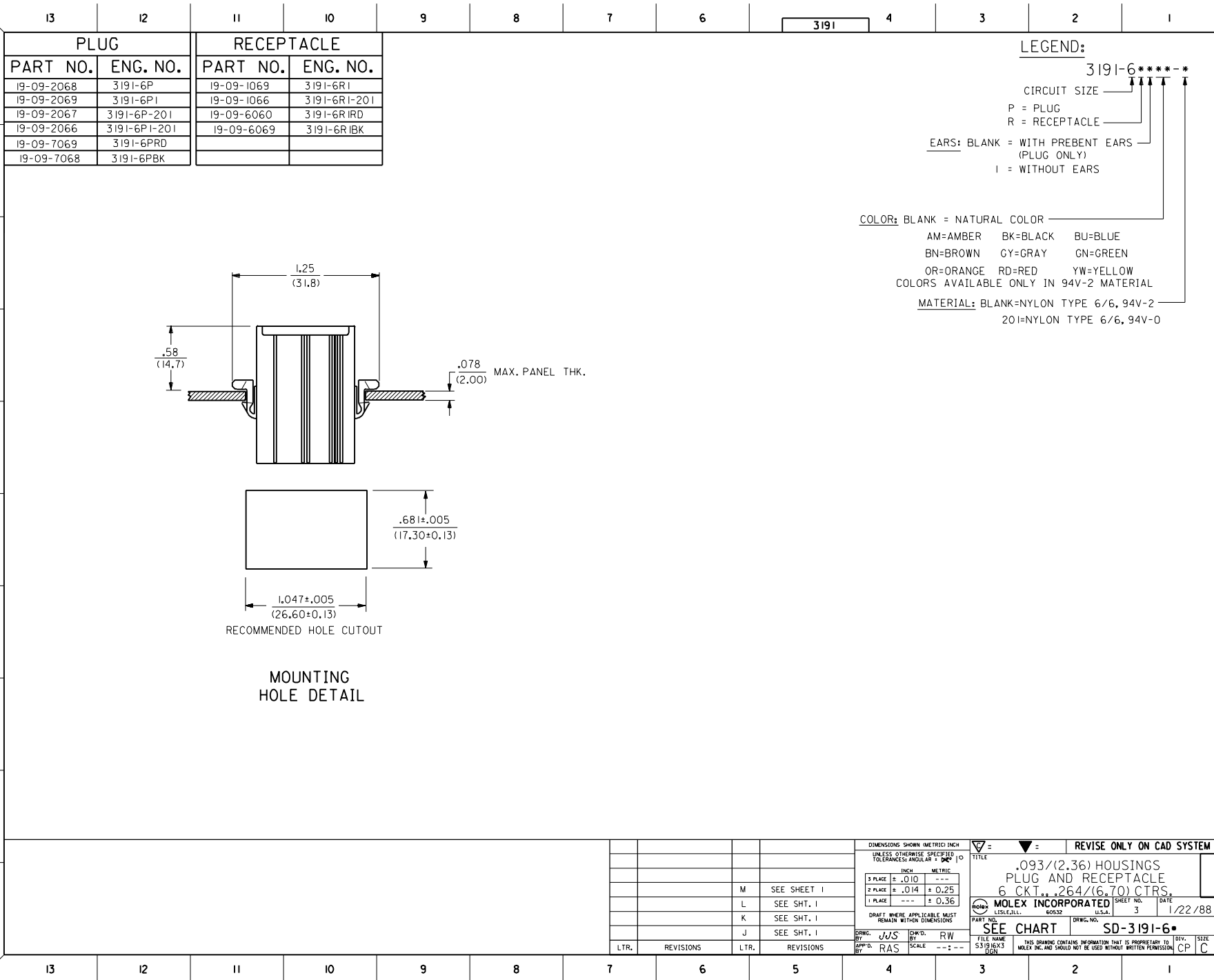
13  
12  
11  
10  
9  
8  
7  
6  
5  
4  
3  
2  
1



PLUG

MI	ADD RAMP LENGTH ECN #U4 0293 3-1-94 RW
M	REVISED PER ECR # U90659 KBW 07-25-89 RW
L	ADDED STANDOFFS PER ECR UB 2271 GEP 11-30-88 RW
K	REV. & FINAL REL. ECR UB 1710 GEP 7-14-88 RW
J	REVISED & REDRAWN PER ECR UB 0122 2-2-88 SCHAFFER
MFG.	SH. REV. LTR. REVISIONS

DIMENSIONS SHOWN METRIC (INCH)		▽ = 0	▼ = 0	REVISE ONLY ON CAD SYSTEM
UNLESS OTHERWISE SPECIFIED TOLERANCES ANGULAR ± 0° 10'		TITLE		
INCH METRIC		.093/(2.36) HOUSING PLUG AND RECEPTACLE 6 CKT. .264/(6.70) CTRS.		
3 PLACE ± .010 ---	---	MOLEX INCORPORATED SHEET NO. DATE L15LEJLL 60532 U.S.A. 1 OF 3 1/25/88		
2 PLACE ± .014 ± 0.25	---	PART NO. DRWG. NO.		
1 PLACE --- ± 0.36	---	SEE CHART SD-3191-6*		
DRAFT WHERE APPLICABLE MUST REMAIN WITHIN DIMENSIONS		FILE NAME S31916.X1 1620		
DRWG. BY JUS	CHKD. BY RW	THIS DRAWING CONTAINS INFORMATION THAT IS PROPRIETARY TO MOLEX INC. AND SHOULD NOT BE USED WITHOUT WRITTEN PERMISSION.		
APP'D. RAS	SCALE 2 : 1	SIZE CP C		



PLUG		RECEPTACLE	
PART NO.	ENG. NO.	PART NO.	ENG. NO.
19-09-2068	3191-6P	19-09-1069	3191-6RI
19-09-2069	3191-6P1	19-09-1066	3191-6RI-201
19-09-2067	3191-6P-201	19-09-6060	3191-6R IRD
19-09-2066	3191-6P1-201	19-09-6069	3191-6R IBK
19-09-7069	3191-6PRD		
19-09-7068	3191-6PBK		

PLUG		RECEPTACLE	
PART NO.	ENG. NO.	PART NO.	ENG. NO.
19-09-2068	3191-6P	19-09-1069	3191-6RI
19-09-2069	3191-6P1	19-09-1066	3191-6RI-201
19-09-2067	3191-6P-201	19-09-6060	3191-6R IRD
19-09-2066	3191-6P1-201	19-09-6069	3191-6R IBK
19-09-7069	3191-6PRD		
19-09-7068	3191-6PBK		

LEGEND:

3191-6\*\*\*\*-\*

CIRCUIT SIZE

P = PLUG

R = RECEPTACLE

EARS: BLANK = WITH PREBENT EARS (PLUG ONLY)

I = WITHOUT EARS

COLOR: BLANK = NATURAL COLOR

AM=AMBER BK=BLACK BU=BLUE

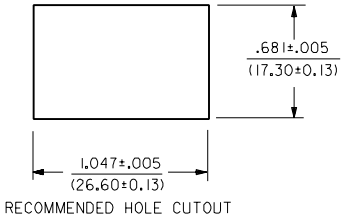
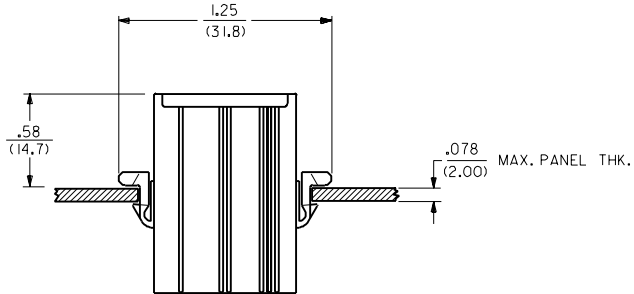
BN=BROWN GY=GRAY GN=GREEN

OR=ORANGE RD=RED YW=YELLOW

COLORS AVAILABLE ONLY IN 94V-2 MATERIAL

MATERIAL: BLANK=NYLON TYPE 6/6, 94V-2

201=NYLON TYPE 6/6, 94V-0



MOUNTING HOLE DETAIL

DIMENSIONS SHOWN (METRIC) INCH		UNLESS OTHERWISE SPECIFIED TOLERANCES ANGLES ARE ± DPM	
INCH	METRIC	INCH	METRIC
3 PLACE ± .010	---	3 PLACE ± .010	---
2 PLACE ± .014	± 0.25	2 PLACE ± .014	± 0.25
1 PLACE ---	± 0.36	1 PLACE ---	± 0.36

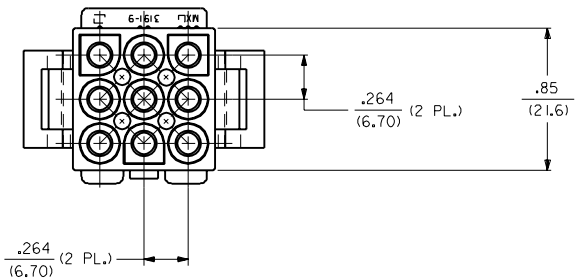
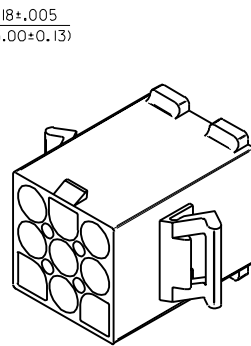
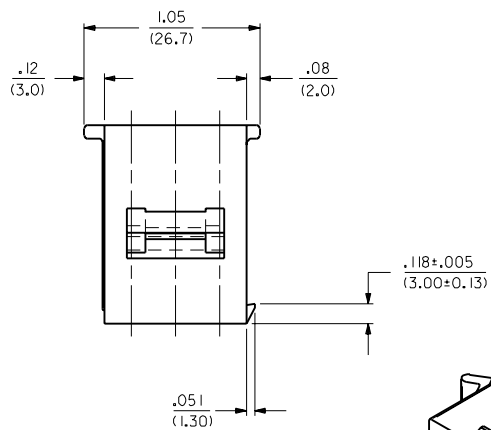
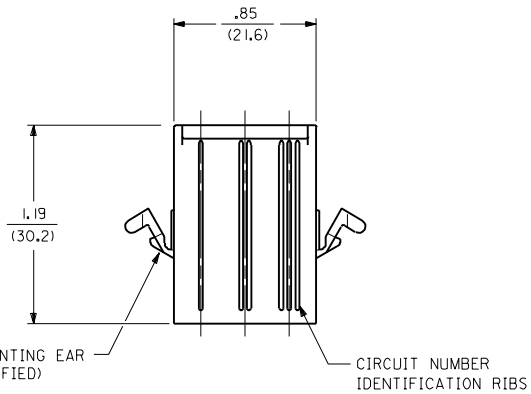
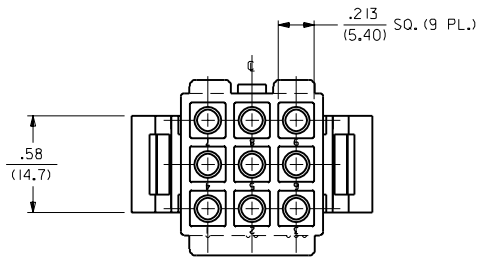
DRAFT WHERE APPLICABLE MUST REMAIN WITHIN DIMENSIONS

DRWG. BY: JUS	CHK'D. BY: RW
APP'D. BY: RAS	SCALE: --:--

REVISIONS	LTR.	REVISIONS	LTR.
M	SEE SHEET 1		
L	SEE SHT. 1		
K	SEE SHT. 1		
J	SEE SHT. 1		

FILE NAME: S31916X3.DGN	THIS DRAWING CONTAINS INFORMATION THAT IS PROPRIETARY TO MOLEX INC. AND SHOULD NOT BE USED WITHOUT WRITTEN PERMISSION	DIV. CP	SIZE C
-------------------------	---	---------	--------

REVISIONS		REVISIONS	
TITLE: .093/(2.36) HOUSINGS PLUG AND RECEPTACLE 6 CKT., .264/(6.70) CTRS.		DATE: 1/22/88	
MOLEX INCORPORATED U.S.A.		SHEET NO. 3	
SEE CHART		DRWG. NO. SD-3191-6*	



PLUG

J1	ADD RAMP DIM'S ECN #U4 0293 3-1-94 RW
J2	REV. AND REDRAWN ECR #U03592
J1	SEP 8-2-89 RW
MFG. SH. REV.	LTR. REVISIONS

DIMENSIONS SHOWN METRIC (INCH)		UNLESS OTHERWISE SPECIFIED TOLERANCES: ANGULAR ± .005°	
3 PLACE	± .010	---	---
2 PLACE	± .014	± 0.25	---
1 PLACE	---	± 0.35	---
DRAFT WHERE APPLICABLE MUST REMAIN WITHIN DIMENSIONS			
DRAWN BY: CEP		CHKD. BY: RW	
APP'D. BY: RAS		SCALE: 2:1	
PART NO. SEE CHART		DRWG. NO. SD-3191-9*	
FILE NAME: S31919X1.DWG		SHEET NO. 1 OF 3	
DATE: 8/2/89		U.S.A.	
MOLEX INCORPORATED		LITSEJLL 60532	
THIS DRAWING CONTAINS INFORMATION THAT IS PROPRIETARY TO MOLEX INC. AND SHOULD NOT BE USED WITHOUT WRITTEN PERMISSION.			

PLUG	
PART NO.	ENG. NO.
19-09-2098	3191-9P
19-09-2099	3191-9P1
19-09-2097	3191-9P-201
19-09-2096	3191-9P1-201

RECEPTACLE	
PART NO.	ENG. NO.
19-09-1099	3191-9R1
19-09-1096	3191-9R1-201

**LEGEND:**

3191-9\*\*\*\*-\*

CIRCUIT SIZE

P = PLUG

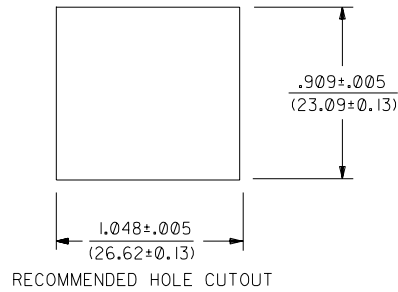
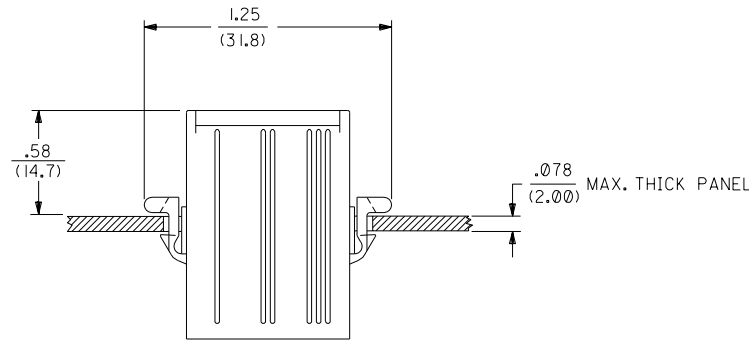
R = RECEPTACLE

EARS: BLANK = WITH PREBENT EARS (PLUG ONLY)

I = WITHOUT EARS

COLOR: BLANK = NATURAL COLOR

AM=AMBER BK=BLACK BU=BLUE  
 BN=BROWN GY=GRAY GN=GREEN  
 OR=ORANGE RD=RED YW=YELLOW  
 COLORS AVAILABLE ONLY IN 94V-2 MATERIAL  
 MATERIAL: BLANK=NYLON TYPE 6/6, 94V-2  
 201=NYLON TYPE 6/6, 94V-0



**NOTES:**

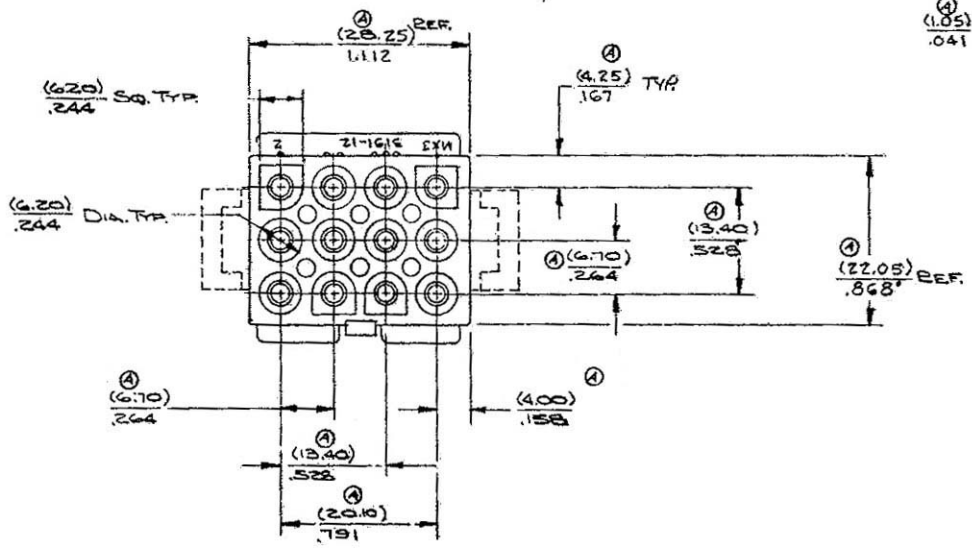
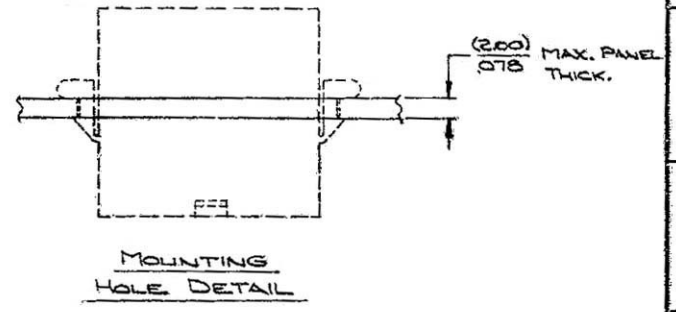
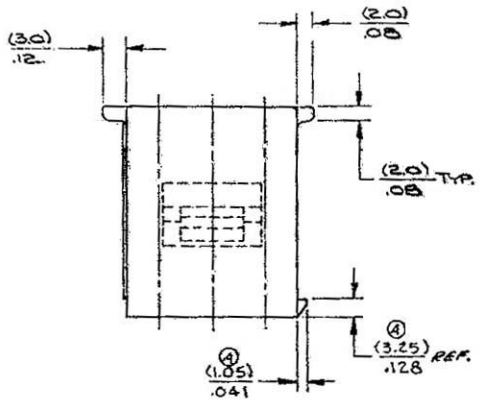
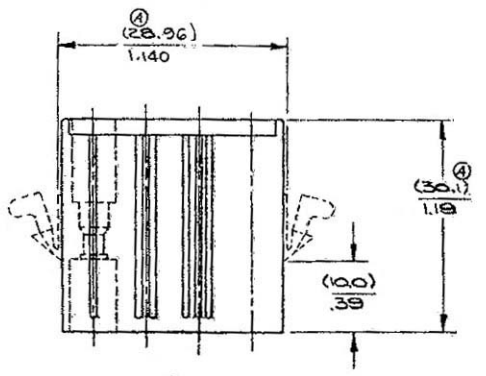
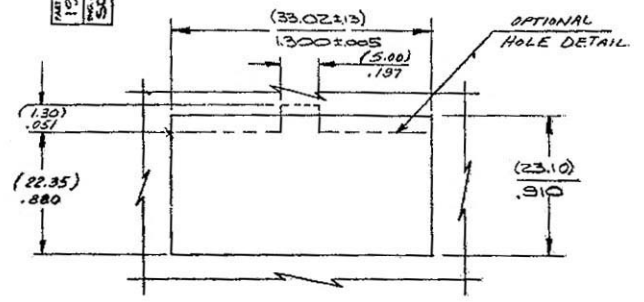
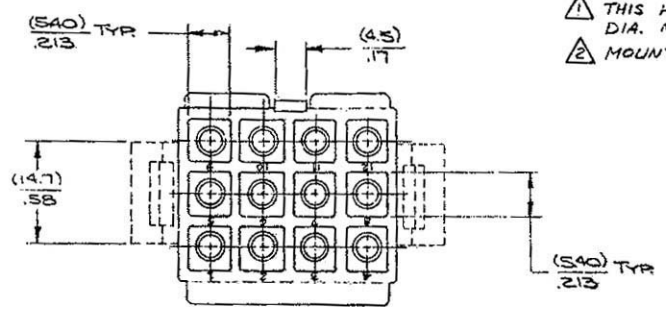
I. THESE HOUSINGS FOR USE WITH MOLEX .093/(2.36) DIAMETER SERIES TERMINALS.

DIMENSIONS SHOWN (METRIC) INCH	
UNLESS OTHERWISE SPECIFIED TOLERANCES: ANGULAR ± .04°   0	
5 PLACE	± .010 ---
2 PLACE	± .014 ± 0.25
1 PLACE	--- ± 0.35
DRAFT WHERE APPLICABLE MUST REMAIN WITHIN DIMENSIONS	
DRWG. BY: GEP	CHK'D. BY: RW
APP'D. BY: RAS	SCALE: --:--

□ =	▼ =	REVISE ONLY ON CAD SYSTEM
TITLE: .093/(2.36) HOUSINGS PLUG AND RECEPTACLE 9 CKT., .264/(6.70) CTRS.		
FROM: MOLEX INCORPORATED L15E,ILL. 60532 U.S.A.	SHEET NO. 3	DATE 8/2/89
PART NO. SEE CHART	DRWG. NO. SD-3191-9*	
FILE NAME: 531919X3.DWG	THIS DRAWING CONTAINS INFORMATION THAT IS PROPRIETARY TO MOLEX INC. AND SHOULD NOT BE USED WITHOUT WRITTEN PERMISSION.	
CP	IC	NO P.S. 1

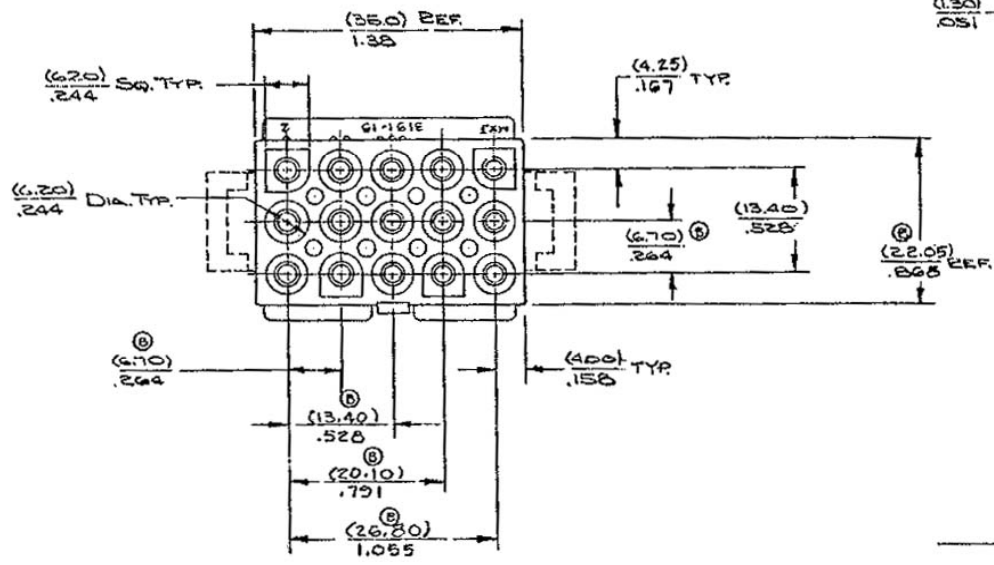
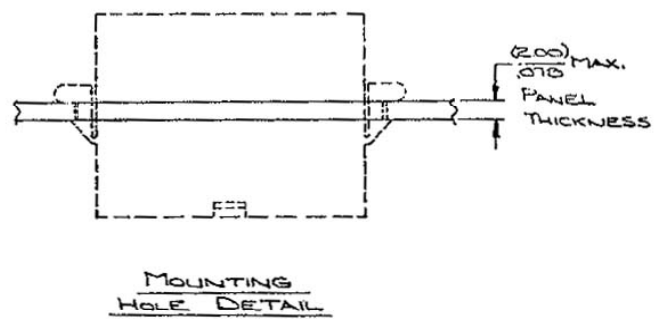
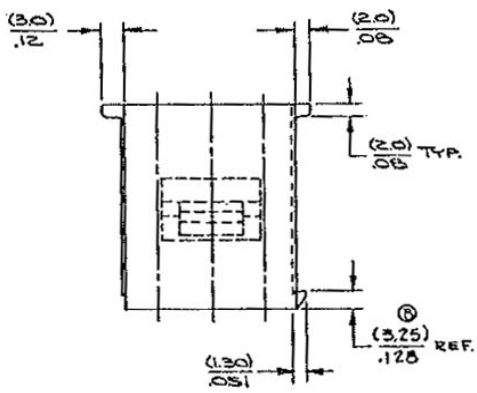
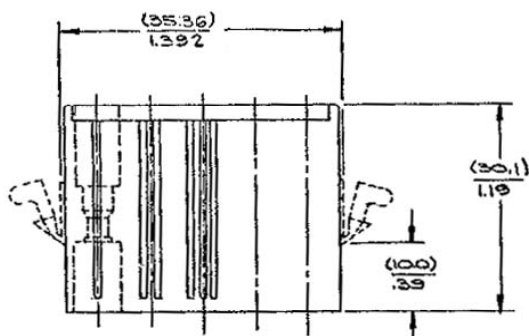
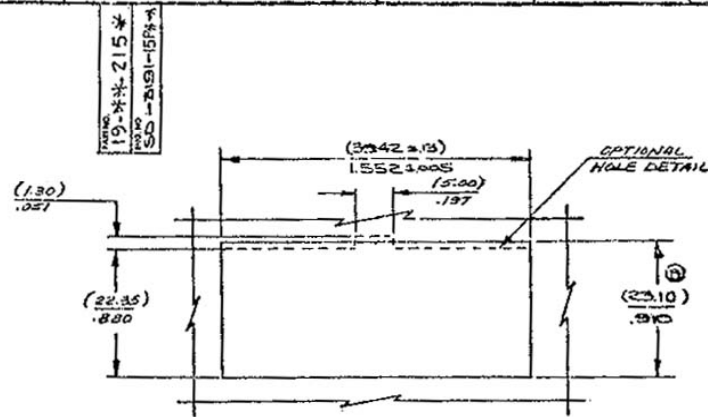
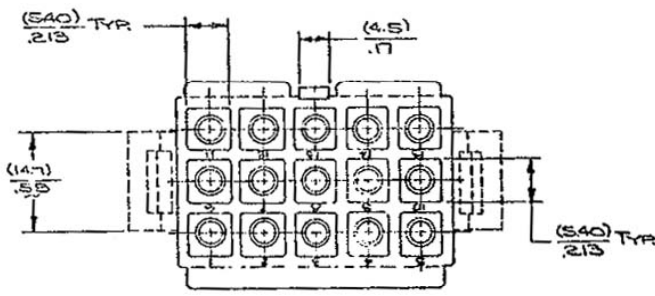
LTR.	REVISIONS	LTR.	REVISIONS
		J	SEE SHT. 1

NOTES:  
 ▲ THIS HOUSING FOR USE WITH MOLEX (2,39)/.093 DIA. MALE TERMINALS.  
 ▲ MOUNTING EARS OPTIONAL (SEE CHART).



PART NO.	ENG. NO.	MTG. EARS	MATERIAL
NOT TOOLED	SDX-3191-12P 1-D	NO	NYLON 6/6, 94V-2, COLOR: NATURAL
NOT TOOLED	SDX-3191-12P -D	YES	(-D INDICATES DYED)
19-09-4121	SD-3191-12P-203	YES	ASAHILEONA FR-200
19-09-4122	SD-3191-12P 1-203	NO	ASAHILEONA FR-200
NOT TOOLED	SDX-3191-12P 1-202	YES	MOD. NYLON 6/6 94V-0 DUP ONT FE-3016
NOT TOOLED	SDX-3191-12P -202	NO	MOD. NYLON 6/6 94V-0 DUP ONT FE-3016
NOT TOOLED	SDX-3191-12P 1-200	YES	MOD. NYLON 6/6 94V-0 MONSANTO M340
NOT TOOLED	SDX03191-12P-200	NO	MOD. NYLON 6/6 94V-0 MONSANTO M340
19-09-2126	SD-3191-12P 1-201	NO	MOD. NYLON 6/6 94V-0 WELLAMID FR22-FN
19-09-2127	SD-3191-12P-201	YES	MOD. NYLON 6/6 94V-0 WELLAMID FR22-FN
19-09-2129	SD-3191-12P 1	NO	NYLON TYPE E 6/6 94V-2
19-09-2128	SD-3191-12P	YES	NYLON TYPE E 6/6 94V-2

DIMENSION SHOWS (DECIMAL)/FRACTION UNLESS OTHERWISE SPECIFIED DIMENSIONS ARE IN INCHES 1 PLACE DECIMAL 2 PLACE DECIMAL 3 PLACE DECIMAL 4 PLACE DECIMAL 5 PLACE DECIMAL 6 PLACE DECIMAL 7 PLACE DECIMAL 8 PLACE DECIMAL 9 PLACE DECIMAL 10 PLACE DECIMAL 11 PLACE DECIMAL 12 PLACE DECIMAL 13 PLACE DECIMAL 14 PLACE DECIMAL 15 PLACE DECIMAL 16 PLACE DECIMAL 17 PLACE DECIMAL 18 PLACE DECIMAL 19 PLACE DECIMAL 20 PLACE DECIMAL 21 PLACE DECIMAL 22 PLACE DECIMAL 23 PLACE DECIMAL 24 PLACE DECIMAL 25 PLACE DECIMAL 26 PLACE DECIMAL 27 PLACE DECIMAL 28 PLACE DECIMAL 29 PLACE DECIMAL 30 PLACE DECIMAL 31 PLACE DECIMAL 32 PLACE DECIMAL 33 PLACE DECIMAL 34 PLACE DECIMAL 35 PLACE DECIMAL 36 PLACE DECIMAL 37 PLACE DECIMAL 38 PLACE DECIMAL 39 PLACE DECIMAL 40 PLACE DECIMAL 41 PLACE DECIMAL 42 PLACE DECIMAL 43 PLACE DECIMAL 44 PLACE DECIMAL 45 PLACE DECIMAL 46 PLACE DECIMAL 47 PLACE DECIMAL 48 PLACE DECIMAL 49 PLACE DECIMAL 50 PLACE DECIMAL 51 PLACE DECIMAL 52 PLACE DECIMAL 53 PLACE DECIMAL 54 PLACE DECIMAL 55 PLACE DECIMAL 56 PLACE DECIMAL 57 PLACE DECIMAL 58 PLACE DECIMAL 59 PLACE DECIMAL 60 PLACE DECIMAL 61 PLACE DECIMAL 62 PLACE DECIMAL 63 PLACE DECIMAL 64 PLACE DECIMAL 65 PLACE DECIMAL 66 PLACE DECIMAL 67 PLACE DECIMAL 68 PLACE DECIMAL 69 PLACE DECIMAL 70 PLACE DECIMAL 71 PLACE DECIMAL 72 PLACE DECIMAL 73 PLACE DECIMAL 74 PLACE DECIMAL 75 PLACE DECIMAL 76 PLACE DECIMAL 77 PLACE DECIMAL 78 PLACE DECIMAL 79 PLACE DECIMAL 80 PLACE DECIMAL 81 PLACE DECIMAL 82 PLACE DECIMAL 83 PLACE DECIMAL 84 PLACE DECIMAL 85 PLACE DECIMAL 86 PLACE DECIMAL 87 PLACE DECIMAL 88 PLACE DECIMAL 89 PLACE DECIMAL 90 PLACE DECIMAL 91 PLACE DECIMAL 92 PLACE DECIMAL 93 PLACE DECIMAL 94 PLACE DECIMAL 95 PLACE DECIMAL 96 PLACE DECIMAL 97 PLACE DECIMAL 98 PLACE DECIMAL 99 PLACE DECIMAL 100 PLACE DECIMAL	TITLE <b>HOUSING - PLUG-12 CIRCUIT (UNIVERSAL)</b> MOLEX INCORPORATED DATE 10/19/75 U.S.A. PART NO. 19-**-212* SD-3191-12P-C AGEO 2X 2X
--	--



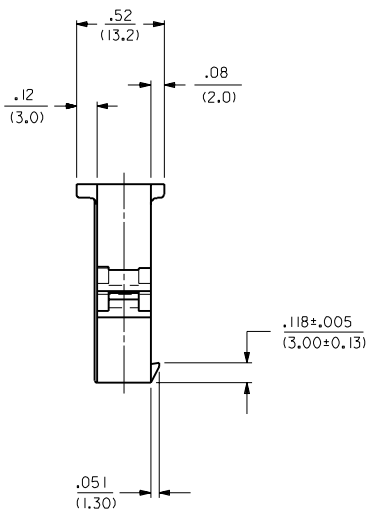
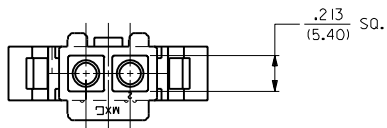
- NOTE:  
 1. THIS HOUSING FOR USE WITH MOLEX (239)/.093 DIA. MALE TERMINALS.  
 2. MOUNTING EARS OPTIONAL (SEE CHART).

19-09-4151	SD-3191-15P-203	YES	ASAHI LEONA FR-200
19-09-4152	SD-3191-15P1-203	NO	ASAHI LEONA FR-200
NOT TOOLED	SD-3191-15P-202	YES	MOD. NYLON 6/6 94V-0 DUPONT FE-301G
NOT TOOLED	SD-3191-15P1-202	NO	MOD. NYLON 6/6 94V-0 DUPONT FE-35
NOT TOOLED	SD-3191-15P-200	YES	MOD. NYLON 6/6 94V-0 MONSANTO M340
NOT TOOLED	SD-3191-15P1-200	NO	MOD. NYLON 6/6 94V-0 MONSANTO M340
19-09-2157	SD-3191-15P-201	YES	MOD. NYLON 6/6 94V-0 WELLMID FR22-FN
19-09-2156	SD-3191-15P1-201	NO	MOD. NYLON 6/6 94V-0 WELLMID FR22-FN
19-09-2159	SD-3191-15P1	NO	NYLON TYPE 6/6 94V-2
19-09-2158	SD-3191-15P	YES	NYLON TYPE 6/6 94V-2
PART NO.	ENG. NO.	MTG. EARS	MATERIAL

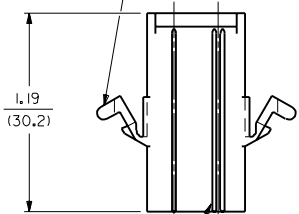
REVISIONS	DATE	BY	CHKD	APP'D	DESCRIPTION
1	10/22/75	W/S L	W/S L	W/S L	INITIALS
2	10/22/75	W/S L	W/S L	W/S L	INITIALS
3	10/22/75	W/S L	W/S L	W/S L	INITIALS
4	10/22/75	W/S L	W/S L	W/S L	INITIALS
5	10/22/75	W/S L	W/S L	W/S L	INITIALS
6	10/22/75	W/S L	W/S L	W/S L	INITIALS
7	10/22/75	W/S L	W/S L	W/S L	INITIALS
8	10/22/75	W/S L	W/S L	W/S L	INITIALS
9	10/22/75	W/S L	W/S L	W/S L	INITIALS
10	10/22/75	W/S L	W/S L	W/S L	INITIALS
11	10/22/75	W/S L	W/S L	W/S L	INITIALS
12	10/22/75	W/S L	W/S L	W/S L	INITIALS
13	10/22/75	W/S L	W/S L	W/S L	INITIALS

HOUSING - PLUS-15 CIRCUIT (UNIVERSAL)  
 MOLEX INCORPORATED  
 19-09-215 # SD-3191-15P # C  
 10/22/75  
 THIS DRAWING CONTAINS INFORMATION THAT IS PROPRIETARY TO MOLEX INC. AND SHOULD NOT BE USED WITHOUT WRITTEN PERMISSION.

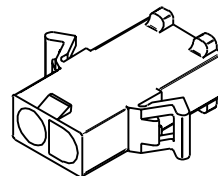
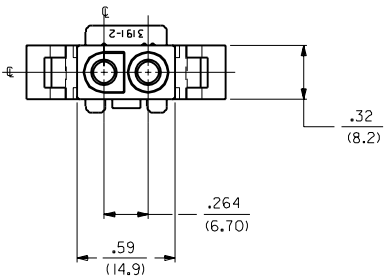




PREBENT MOUNTING EAR  
(WHEN SPECIFIED)



CIRCUIT NUMBER  
IDENTIFICATION RIBS



**PLUG**

3	E2	
2	D	
1	E4	
<input checked="" type="checkbox"/>	SH.	REV. LTR. REVISIONS

**REVISIONS**

E4	REVISED UCR 98-0148 WANG 98-04-15
E3	ADD RAMP DIM'S ECN #U4 0293 3-1-94 RW
E2	X-REMOVE ECR U3 0001 GC 12/30/92 RW
E1	REL. RED VERSIONS ECR U1 2167 GC 1/24/92 RW
E	REV. MATL. CODE ECR # U90901 KBW 01-25-89 RW
D	REV. & REDRAWN ECR UB 1858 GEP 11-21-88 RW

**PLUG AND RECEPTACLE,  
2 CKT ±.264/(6.70) CTRS.**

**MOLEX INCORPORATED** LITTLE ROCK, ARK. U.S.A.

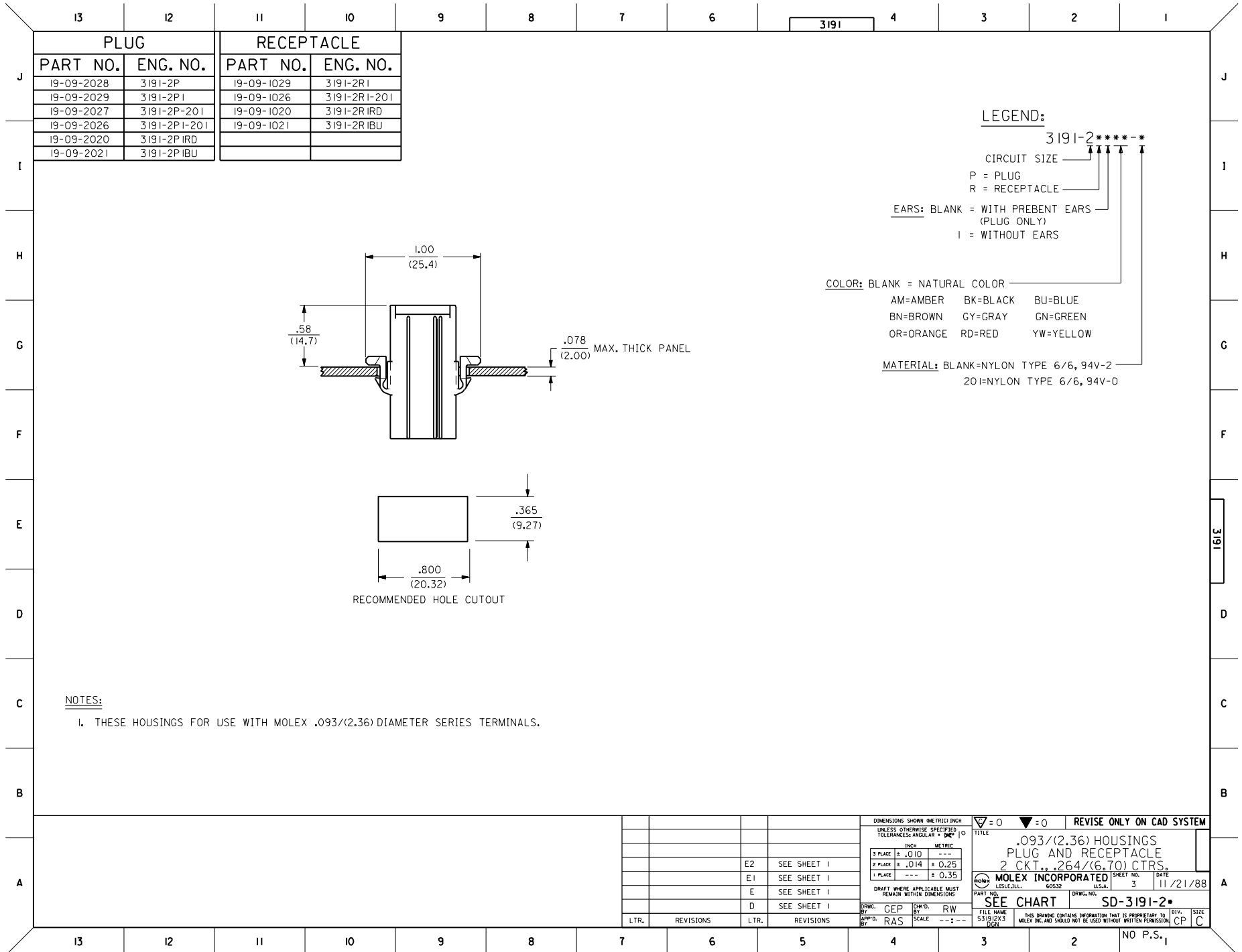
FILE NAME: S31912X1.DWG  
SCALE: 2 : 1

DATE: 11/21/88

SHEET NO. 1 OF 3

DRWG. NO. SD-3191-2\*

NO P.S. 1



PLUG		RECEPTACLE	
PART NO.	ENG. NO.	PART NO.	ENG. NO.
19-09-2028	3191-2P	19-09-1029	3191-2R1
19-09-2029	3191-2P1	19-09-1026	3191-2R1-201
19-09-2027	3191-2P-201	19-09-1020	3191-2R IRD
19-09-2026	3191-2P1-201	19-09-1021	3191-2R IBU
19-09-2020	3191-2P IRD		
19-09-2021	3191-2P IBU		

**LEGEND:**

3191-2\*\*\*\*-\*

CIRCUIT SIZE

P = PLUG

R = RECEPTACLE

EARS: BLANK = WITH PREBENT EARS (PLUG ONLY)

I = WITHOUT EARS

COLOR: BLANK = NATURAL COLOR

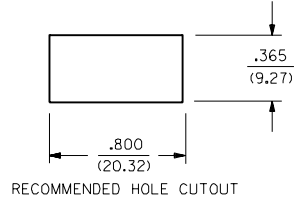
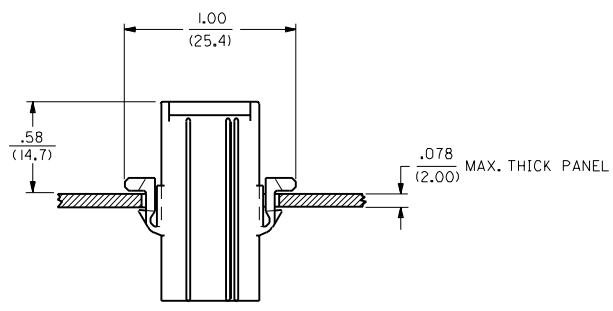
AM=AMBER BK=BLACK BU=BLUE

BN=BROWN GY=GRAY GN=GREEN

OR=ORANGE RD=RED YW=YELLOW

MATERIAL: BLANK=NYLON TYPE 6/6, 94V-2

201=NYLON TYPE 6/6, 94V-0



**NOTES:**

1. THESE HOUSINGS FOR USE WITH MOLEX .093/(2.36) DIAMETER SERIES TERMINALS.

DIMENSIONS SHOWN (METRIC) INCH		▽=0 ▼=0		REVISE ONLY ON CAD SYSTEM	
UNLESS OTHERWISE SPECIFIED TOLERANCES: ANGLES .015°		TITLE		.093/(2.36) HOUSINGS PLUG AND RECEPTACLE	
INCH METRIC		FILE NAME		2 CKT., .264/(6.70) CTRS.	
3 PLACE ± .010 ---	---	531912X3		MOLEX INCORPORATED	
2 PLACE ± .014 ± 0.25	± 0.25	DGN		LISLE, ILL. 60532 U.S.A.	
1 PLACE --- ± 0.35	± 0.35	SCALE		SHEET NO. 3 DATE 11/21/88	
DRAFT WHERE APPLICABLE MUST REMAIN WITHIN DIMENSIONS		PART NO.		SD-3191-2*	
DRAWING BY: CEP		CHK'D BY: RW		SEE CHART	
APP'D BY: RAS		SCALE: --:--		THIS DRAWING CONTAINS INFORMATION THAT IS PROPRIETARY TO MOLEX INC. AND SHOULD NOT BE USED WITHOUT WRITTEN PERMISSION.	
LTR. REVISIONS		LTR. REVISIONS		NO P.S. 1	